

- NOTES:
1. ALL WORK TO CONFORM TO THE CURRENT CITY OF WINNIPEG STANDARD CONSTRUCTION SPECIFICATIONS.
 2. CONTRACTOR SHALL CONFIRM THE LOCATION OF BUILDING SERVICES BEFORE START OF CONSTRUCTION.
 3. INDICATE STUB DEPTHS AND LOCATION WITH A 2x4 AS MARKER POST FOR BUILDING SERVICE CONNECTION.
 4. ASPHALT PAVEMENT IS NOT INCLUDED IN THIS CONTRACT. ASPHALT SURFACING OF THE PARKING AREA & APPROACH TO BE CONSTRUCTED IN THE FUTURE. DESIGN ELEVATIONS SHOWN ARE FINAL PAVEMENT ELEVATIONS. GRADING CONTRACTOR WILL BE RESPONSIBLE FOR SUBTRACTING PAVEMENT THICKNESSES TO CALCULATE FINAL TOP OF GRANULAR BASE ELEVATIONS.

REVISIONS		
NO.	DATE	PARTICULARS
1	05-03-23	EXPANDED TENDER

NOTES

PROFESSIONAL SEALS

THIS DRAWING MUST NOT BE SCALED.
 THE CONTRACTOR SHALL VERIFY ALL DIMENSIONS AND OTHER DATA ON SITE PRIOR TO COMMENCEMENT OF WORK. ALL DISCREPANCIES, ERRORS, AND OMISSIONS ARE TO BE REPORTED TO THE ARCHITECT.
 DRAWING AND SPECIFICATIONS, AS INSTRUMENTS OF SERVICE, ARE THE PROPERTY OF THE ARCHITECT. THE COPYRIGHT IN THE SAME BEING RESERVED TO HIM.
 NO REPRODUCTION MAY BE MADE WITHOUT THE PERMISSION OF THE ARCHITECT. AND WHEN MADE, MUST BEAR HIS NAME. ALL PRINTS TO BE RETURNED TO THE ARCHITECT ON REQUEST.

INDLEA Engineers & Planners Inc.
 Suite 111-93 Lombard Avenue Winnipeg, Manitoba R3B 3B1
 Phone (204) 943-3178 Facsimile (204) 943-4948

PROJECT TITLE
RED RIVER COMMUNITY CENTRE REDEVELOPMENT

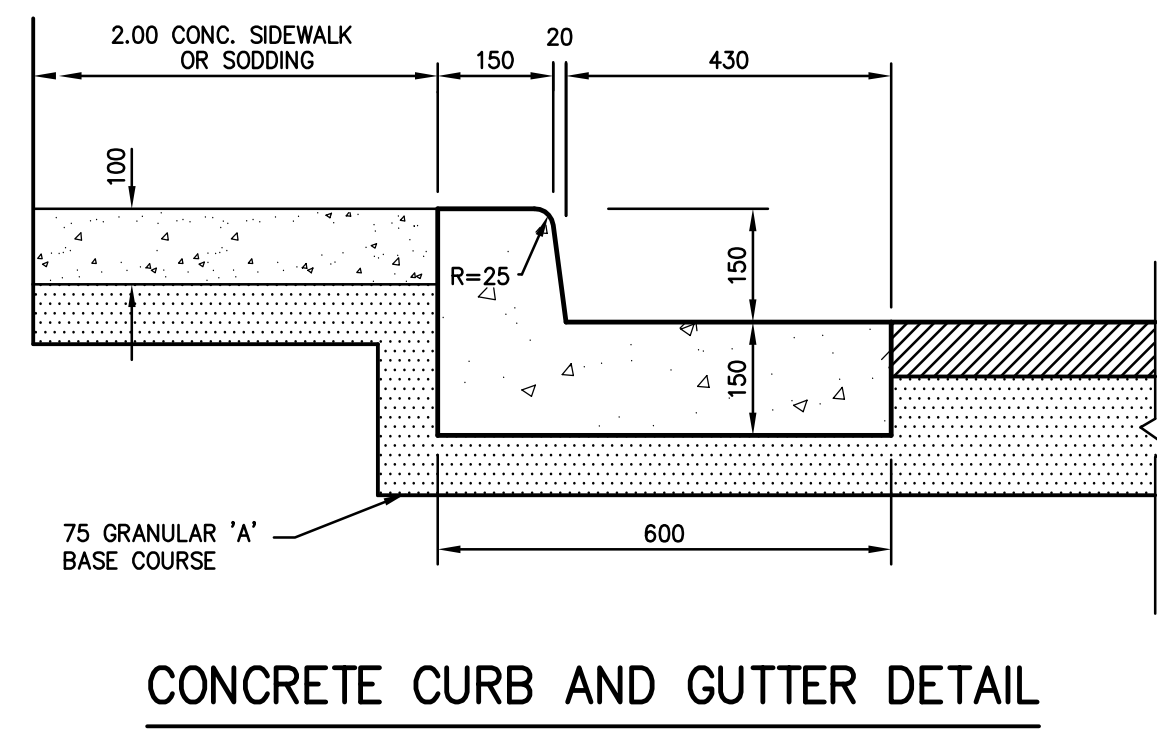
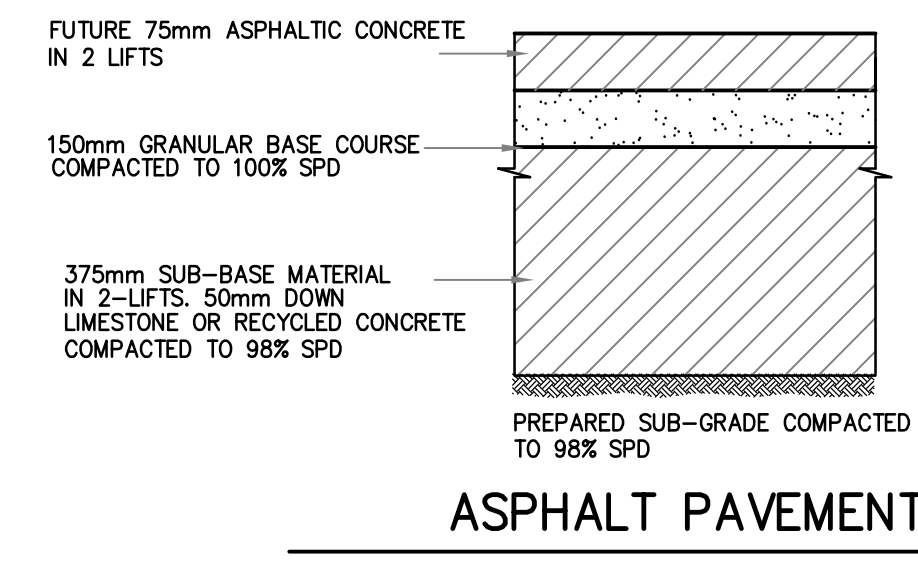
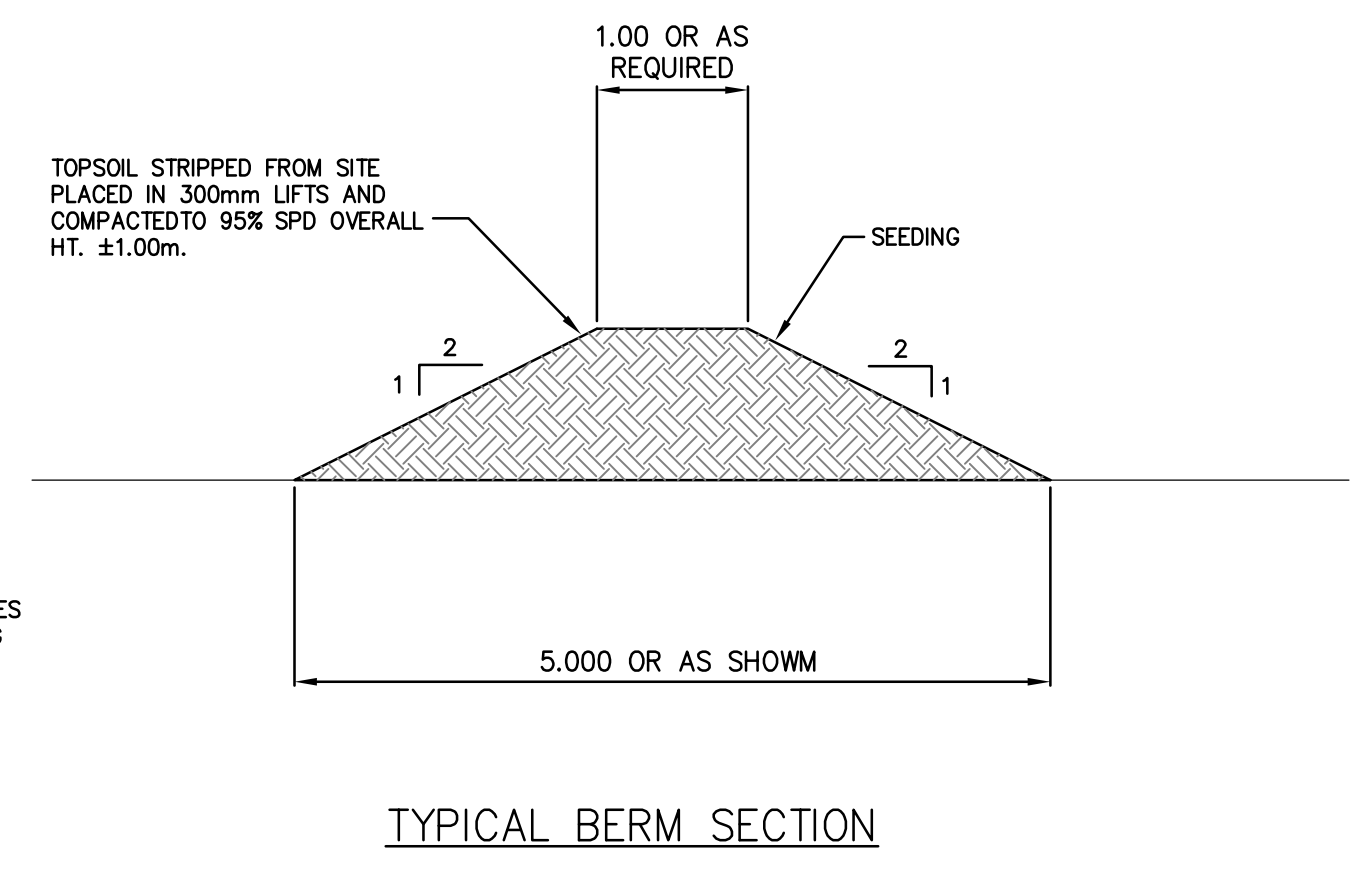
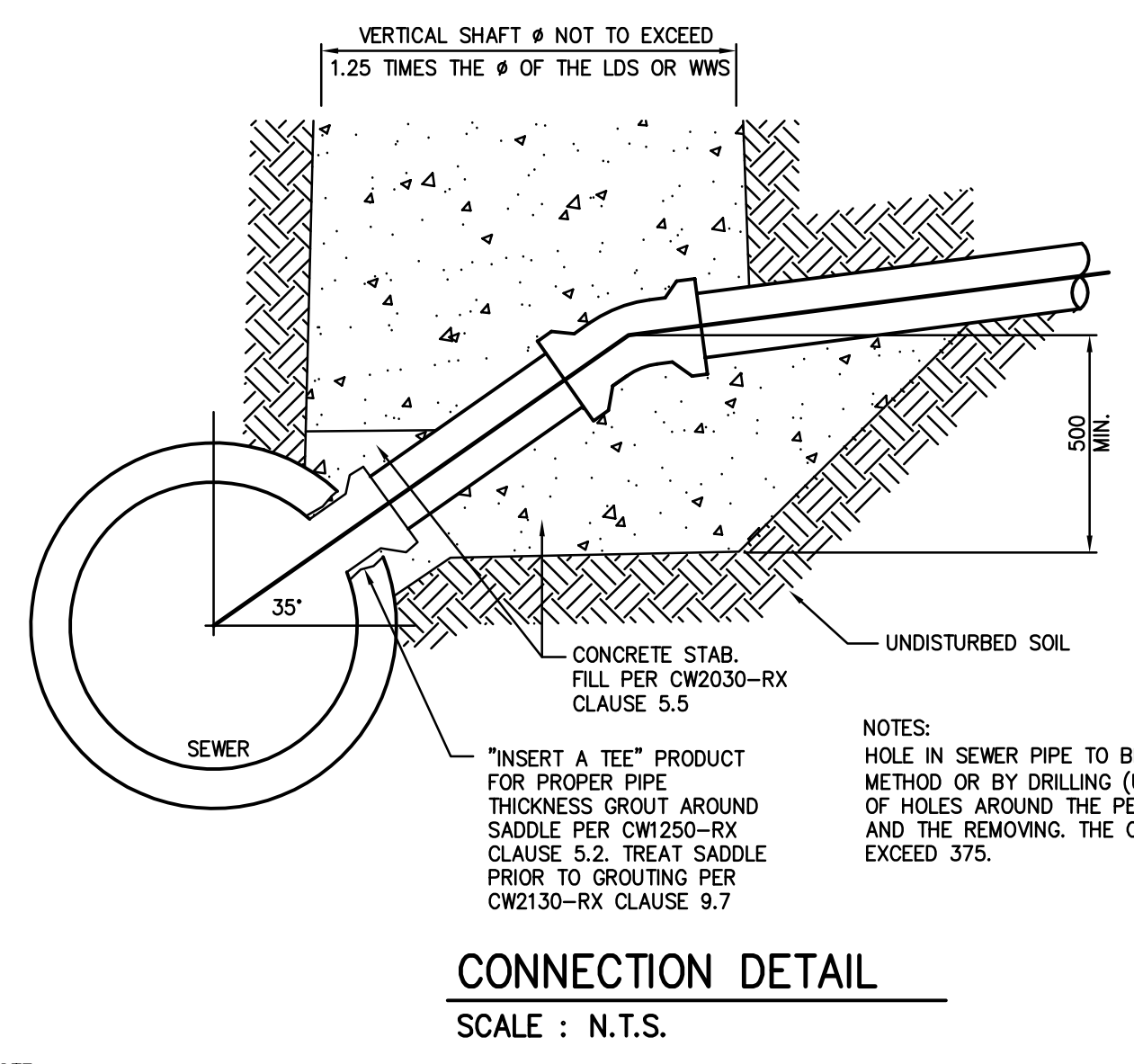
LOCATION
 WINNIPEG, MB
 293 MURRAY AVENUE

CLIENT
 THE CITY OF WINNIPEG

DRAWING TITLE

Site Plan

DRAWN	APPROVED	DRAWING
TK	KVC	
SCALE	DATE ISSUED	C01
1:250	05-03-23	
JOB NUMBER	DATE PLOTTED	REVISION
41181	2/2/04	1



EXISTING	LEGEND-PLAN	PROPOSED	EXISTING	LEGEND-PLAN	PROPOSED
	PROPERTY LINE			CURB AND GUTTER	
	ELEVATION	(32.00)		100 CONCRETE SIDEWALK	
	FUTURE LDS			SIDEWALK RAMP	
	WATERMAIN			HEAVY DUTY ASPHALT	
	HYDRANT			SODDING	
	VALVE				
	LAND DRAINAGE SEWER				
	WASTE WATER SEWER				
	MANHOLE				
	CATCH BASIN				
	FLOW				

NOTE: These design documents are prepared solely for the use by the party with whom the design professional has entered into a contract and there are no representations of any kind made by the design professional to any party with whom the design professional has not entered into a contract.

24" X 36" DRAWING SHEET: SCALE IS AS NOTED 11" X 17" DRAWING SHEET: NOT TO SCALE