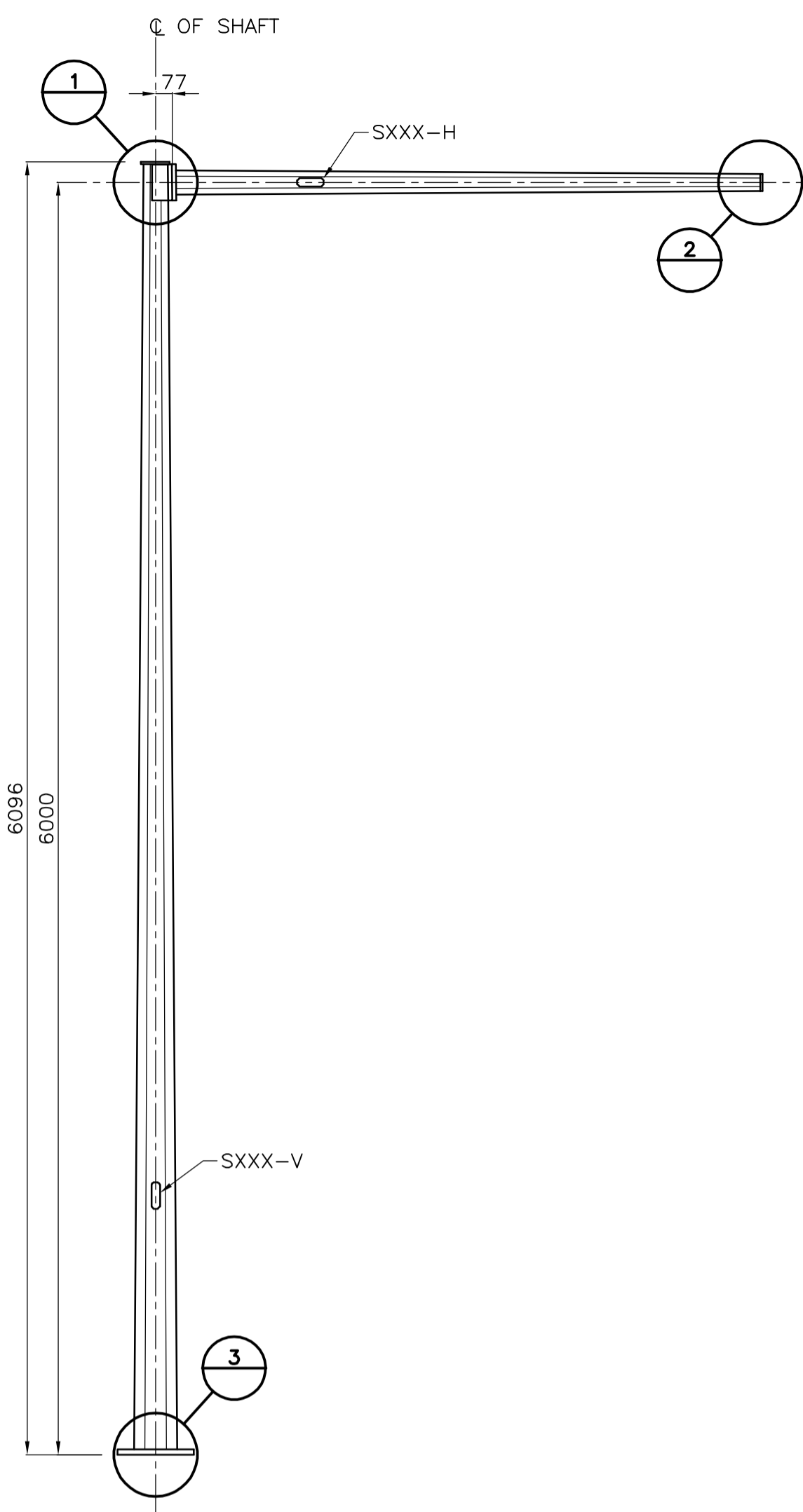


BILL OF MATERIALS

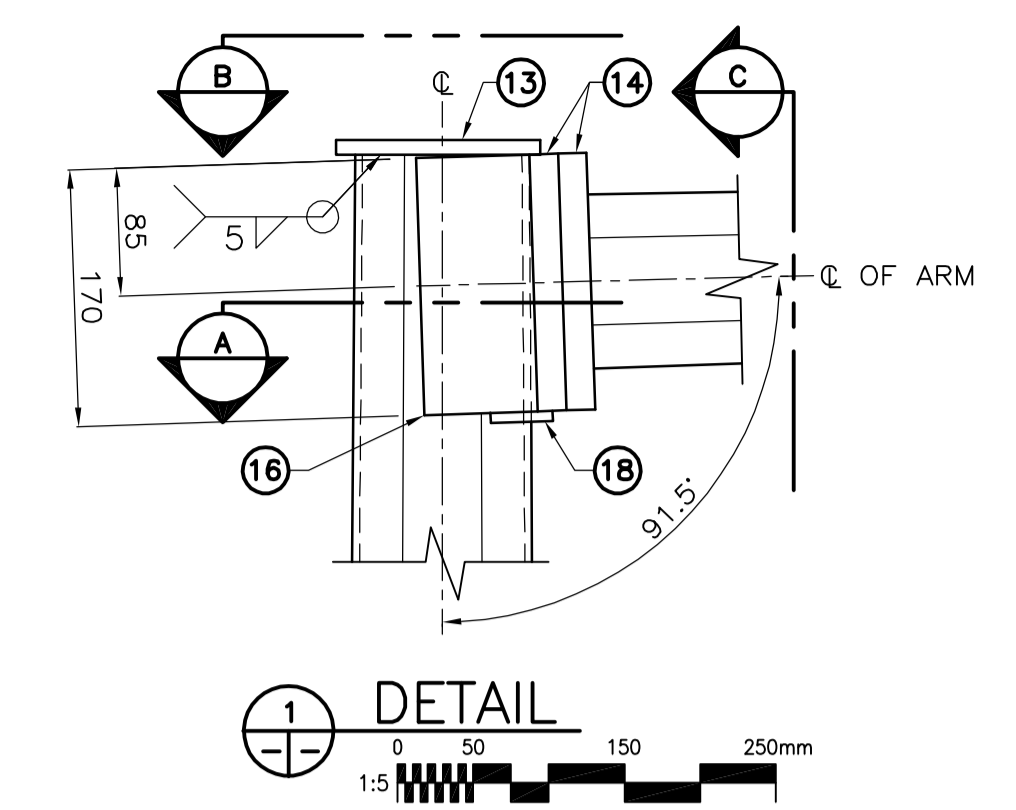
ITEM No.	QTY.	DESCRIPTION	MATERIAL
1	1	OCT. SECT. SHAFT 203 A/F - 115 A/F	11 ga. A570 GR.50
2	1	OCT. SECT. ARM 115 A/F - 80 A/F	11 ga. A570 GR.50
3	1	BASE PLATE 360 SQ. x 25 THK.	G40.21 300W
4	1	CONNECTOR BOLT ASSEMBLY 1" UNC x 89 LG.	A325 GALV'D c/w NUT & 2 F/WASHERS
5	1	NUT COVER 1" GREY	PLASTIC COVER c/w STEEL WASHER
6	1	BASE SHIM 1"	16 ga. GALV. STEEL
7			
8			
9			
10			
11			
12			
13	1	TOP PLATE 180 x 135 x 9.5 THK.	G40.21 300W
14	2	FLANGE 230 x 170 x 19 THK.	G40.21 300W
15	4	BOLT 5/8" UNC x 64 LG.	A325 GALV'D c/w NUT & 2 F/WASHERS
16	2	SIDE GUSSET 119 x 41 x 6.35 THK.	G40.21 300W
17			
18	1	BTM. GUSSET 119 x 41 x 6.35 THK.	G40.21 300W
19	1	OCT. END PLATE 76 A/F	11 ga. A570 GR. 50
20	1	MARTEC SCREW BASE	MPA-30

GENERAL NOTES

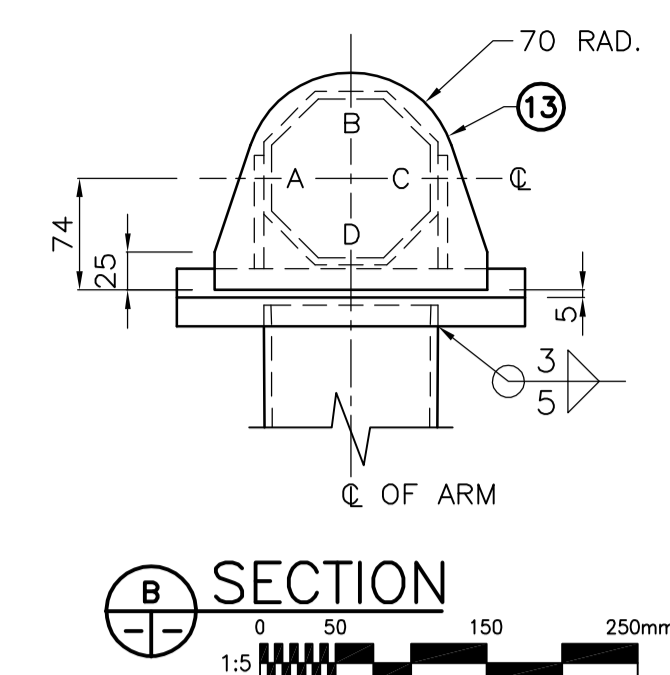
- DESIGN DATA: CANADIAN HIGHWAY BRIDGE DESIGN CODE
- ALL MATERIALS SHALL BE CSA G40.21-350W STRUCTURAL STEEL UNLESS OTHERWISE NOTED.
- NEW STRUCTURES SHALL BE INSTALLED ON CONCRETE PILE OR STEEL SCREW ANCHOR FOUNDATION.
- ALL WELDING SHALL CONFORM TO C.S.A. STANDARD W59 AND SHALL BE PERFORMED BY WELDERS AND WELDING OPERATORS QUALIFIED IN ACCORDANCE WITH C.S.A. STANDARD W47.1
- SIGNS:
  - ONE SIGN PLATE 1219x915mm
  - SIGN WILL BE SUPPLIED BY THE CITY OF WINNIPEG FOR INSTALLATION BY THE CONTRACTOR
  - SIGN MOUNTING BRACKET TO BE SUPPLIED BY THE CONTRACTOR INCIDENTAL TO STRUCTURAL FABRICATION.
- PRIME & PAINT AS PER SPECIFICATION. CITY OF WINNIPEG TO DETERMINE COLOUR.



DIAMOND LANE STRUCTURE

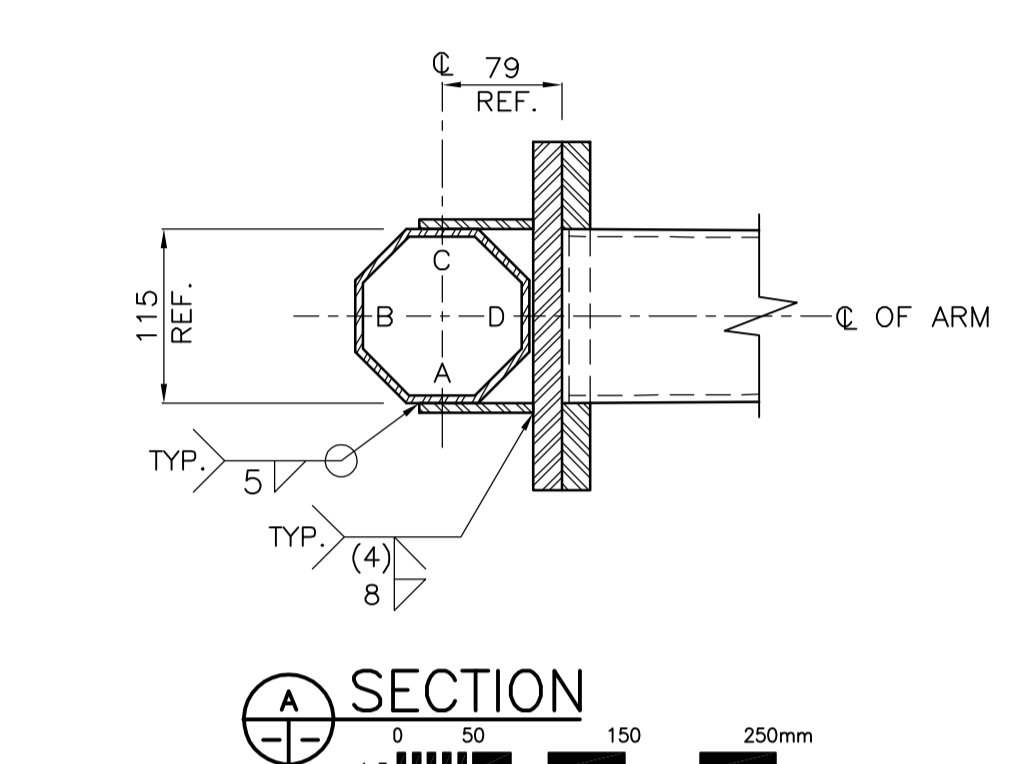
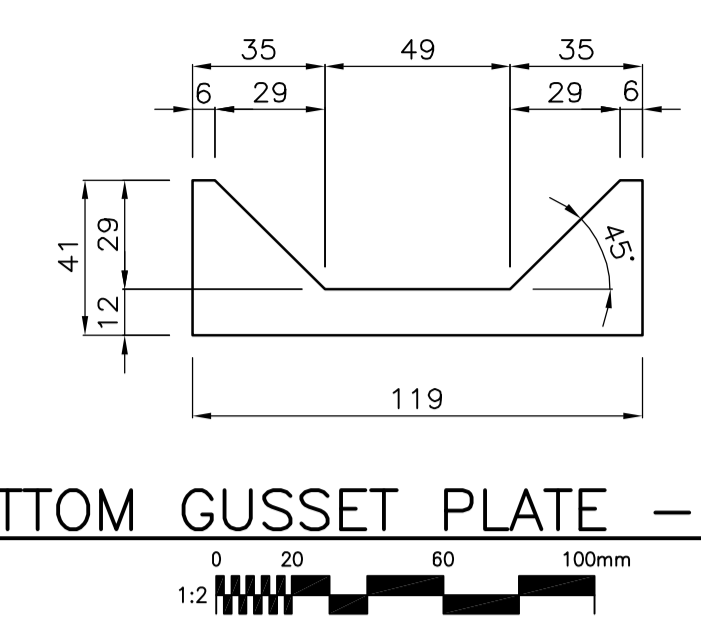


DETAIL

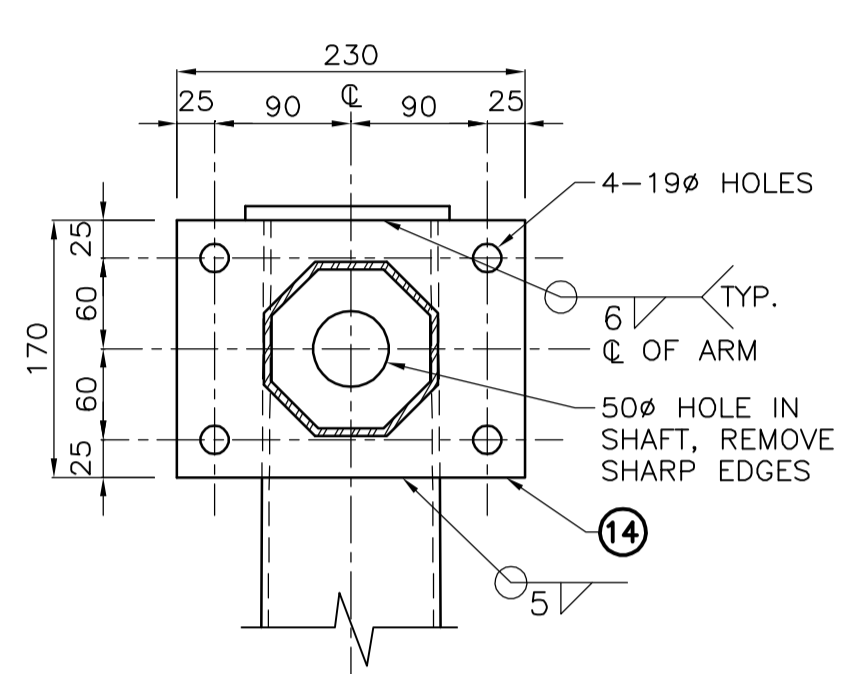


SECTION B

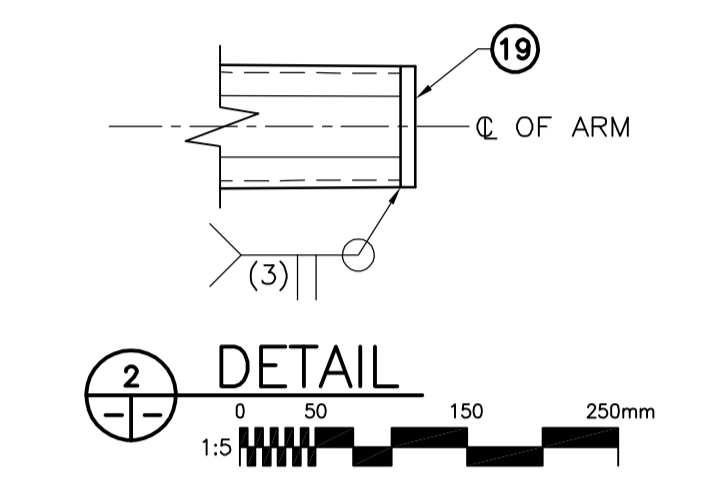
BOTTOM GUSSET PLATE - MK. 18



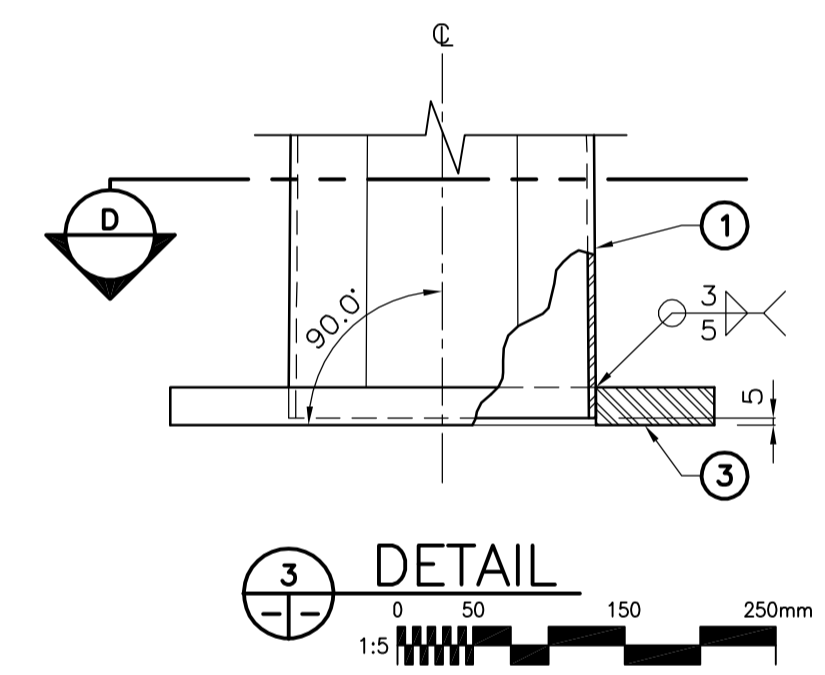
SECTION A



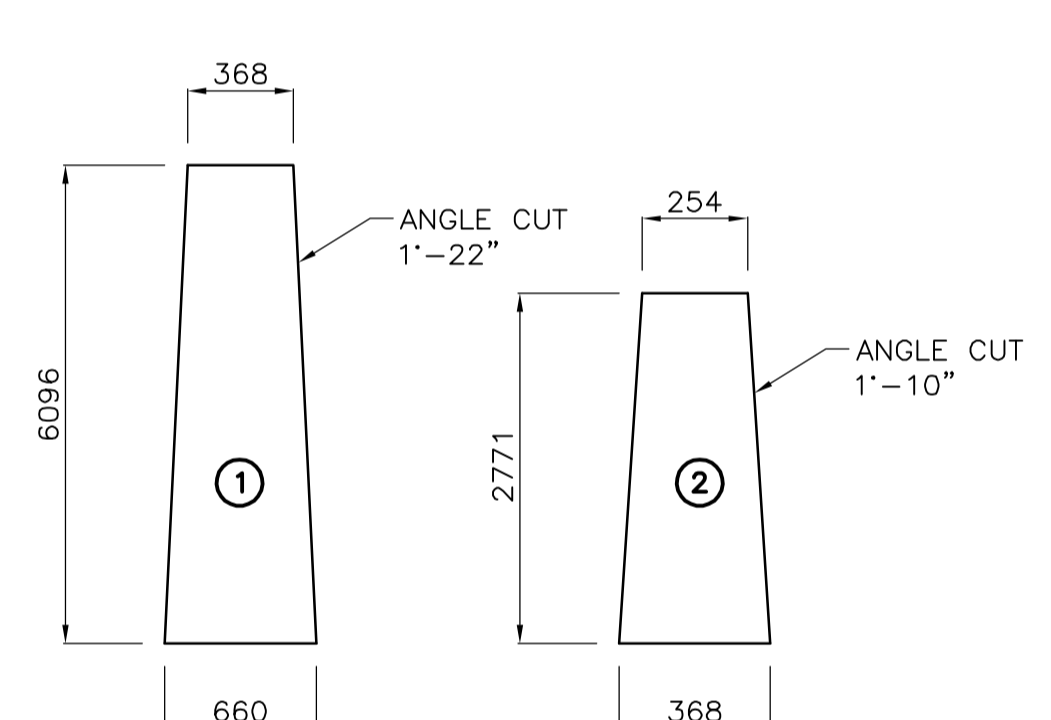
SECTION C



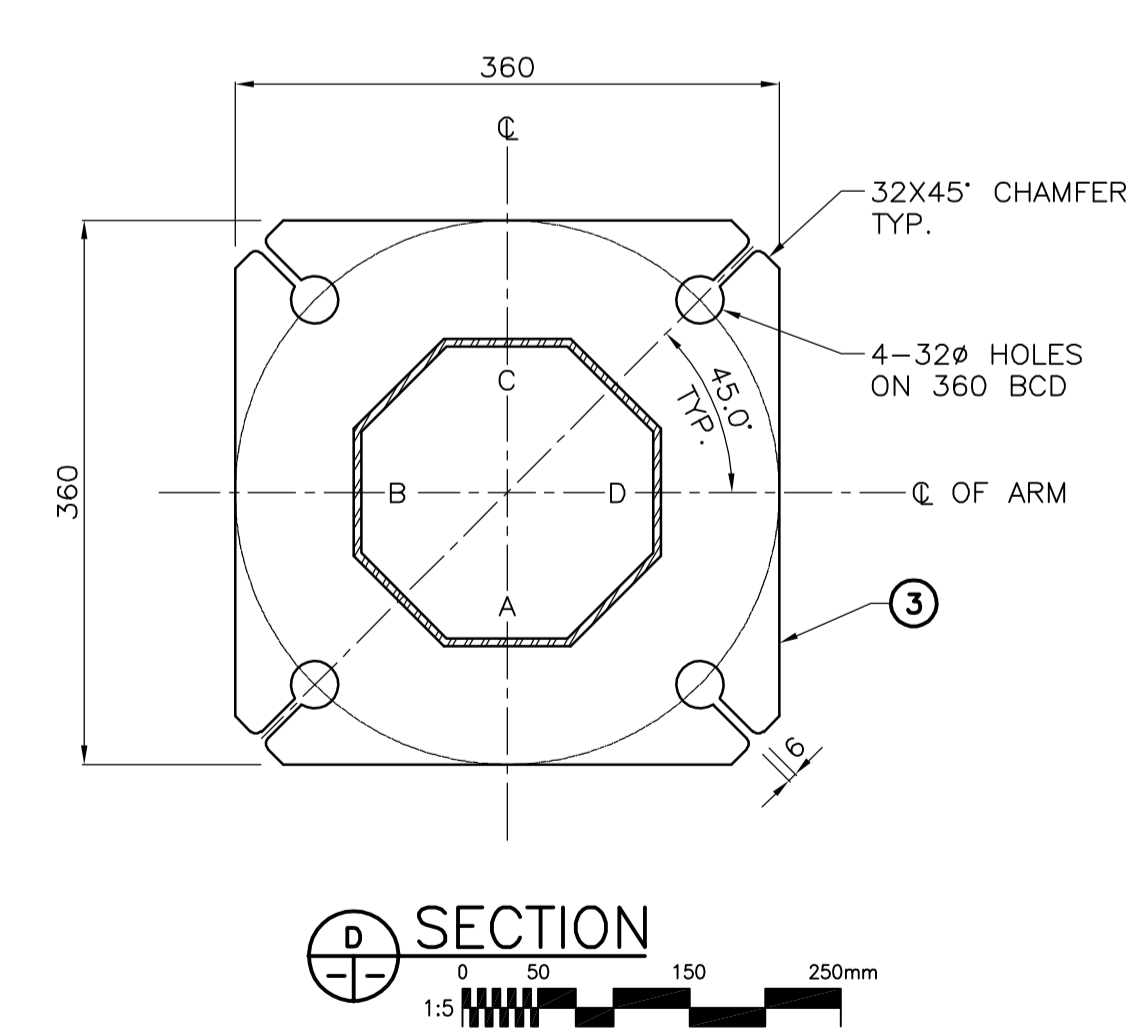
DETAIL



DETAIL



SHEET DEVELOPMENT



SECTION D



NOTES:

- PROVIDE "RAISED" IDENTIFICATION NO. WITH WELDING ELECTRODE FOR THE SIGN STRUCTURE.
- SUBSTITUTE STRUCTURE No. FOR XXX
- GRIND ALL SHARP POINTS AND EDGES.

TYPICAL STRUCTURE IDENTIFICATION NUMBER SIZE

V:\117\winn\11702060-2004 Main Street Reconstruction - Southbound\winn\DW-71-599.DWG  
2004-03-31 03:31PM By: vmmof

WARNING

IF POWER EQUIPMENT OR EXPLOSIVES ARE TO BE USED FOR EXCAVATION ON THIS PROJECT THE CONTRACTOR MUST:  
1) NOTIFY THE GAS COMPANY OF THE PROPOSED LOCATION OF EXCAVATION.  
2) TAKE PRECAUTION TO AVOID DAMAGE TO GAS COMPANY INSTALLATIONS.  
SEE PROVINCIAL REGULATION 140/92 FOR DETAILS

**METRIC**  
WHOLE NUMBERS INDICATE MILLIMETRES  
DECIMALIZED NUMBERS INDICATE METRES

**APEGM**  
Certificate of Authorization  
Stantec Consulting Ltd.  
No. 1301 Expiry: April 30, 2004

LOCATION APPROVED UNDERGROUND STRUCTURES

SUPV. U/G STRUCTURES COMMITTEE DATE

NOTE:  
LOCATION OF UNDERGROUND STRUCTURES AS SHOWN ARE BASED ON THE BEST INFORMATION AVAILABLE BUT NO GUARANTEE IS GIVEN THAT ALL EXISTING UTILITIES ARE SHOWN OR THAT THE GIVEN LOCATIONS ARE EXACT. CONFIRMATION OF EXISTENCE AND EXACT LOCATION OF ALL SERVICES MUST BE OBTAINED FROM THE INDIVIDUAL UTILITIES BEFORE PROCEEDING WITH CONSTRUCTION.

B.M. ELEV.	NO.	REVISIONS	DATE	BY
	1	ISSUED FOR CONSTRUCTION	04/03/24	

**Stantec Consulting Ltd.**  
905 Waverley Street, Winnipeg, Manitoba  
Tel 204-489-5900 Fax 204-453-9012

DESIGNED BY	M.J.B.	CHECKED BY	M.J.B.
DRAWN BY	J.M.B.	APPROVED BY	M.J.B.

HOR. SCALE: AS SHOWN  
VERTICAL: RELEASED FOR ORIGINAL CONSTRUCTION: SIGNED BY: F. COREY  
DATE: FEBRUARY 09, 2004 DATE: MARCH 25, 2004

ENGINEER'S SEAL

ORIGINAL SEALED BY  
M.J. BOISSONNEAULT  
P. ENG.  
04/03/24

CONSULTANT DRAWING NO.  
CW-71-599

**THE CITY OF WINNIPEG**  
PUBLIC WORKS DEPARTMENT  
ENGINEERING DIVISION

**Winnipeg**

**MAIN STREET (SOUTH BOUND)**  
LOMBARD AVE. TO DISRAELI FREEWAY  
DIAMOND LANE OVERHEAD SIGN STRUCTURE  
FABRICATION DETAILS

SHEET 15 OF 27  
CAD FILE DRAWING NUMBER CW-71-599  
CITY DRAWING NUMBER P-3247-15