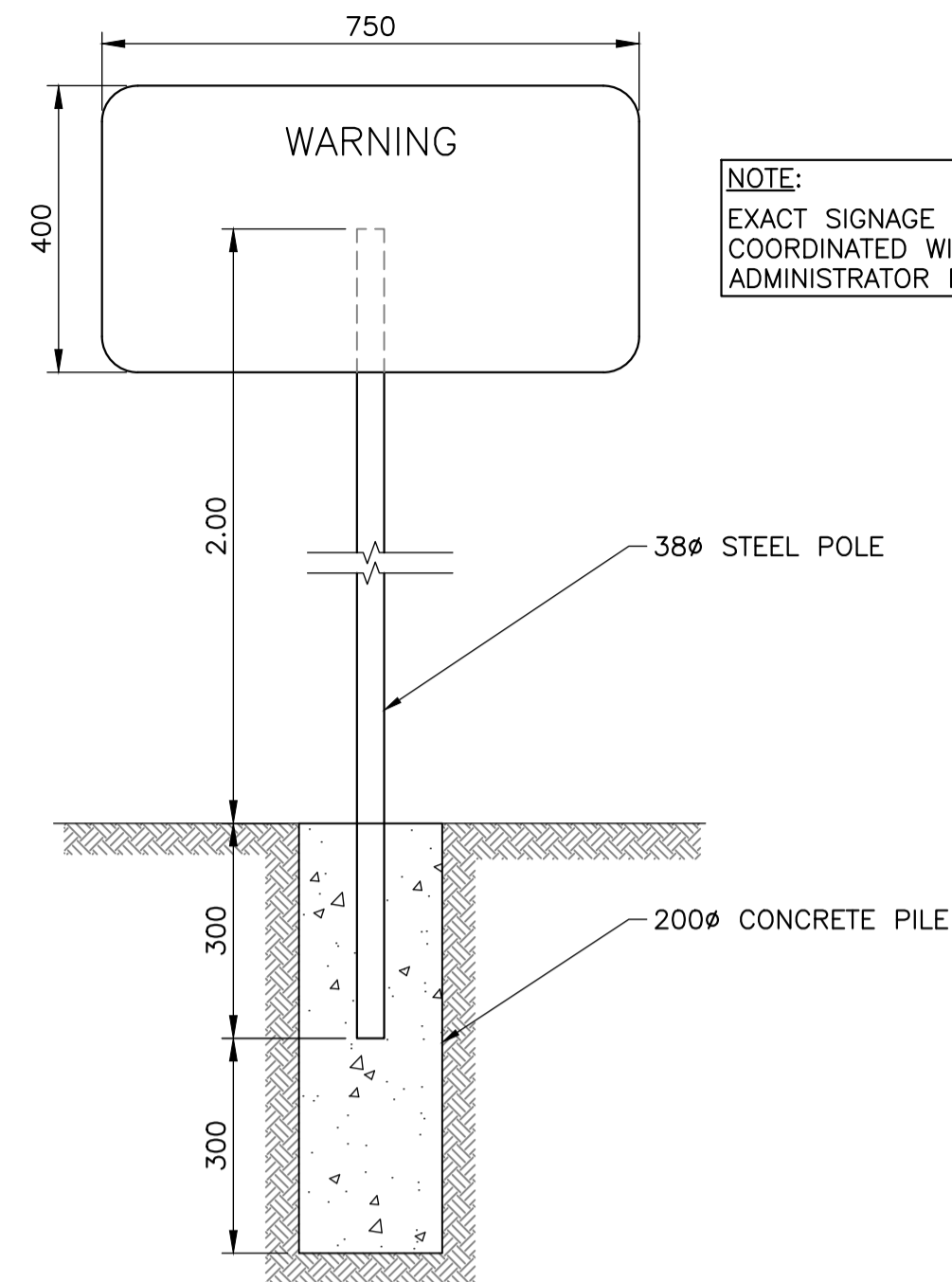
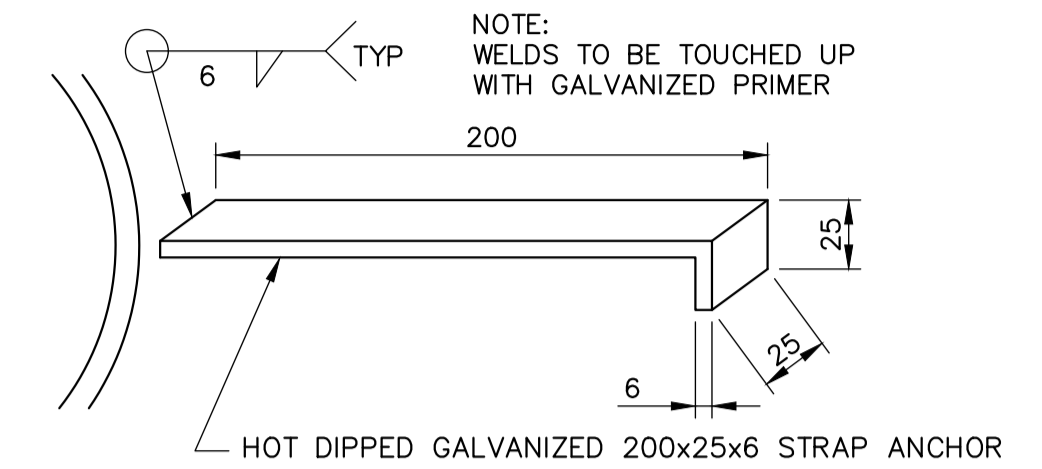


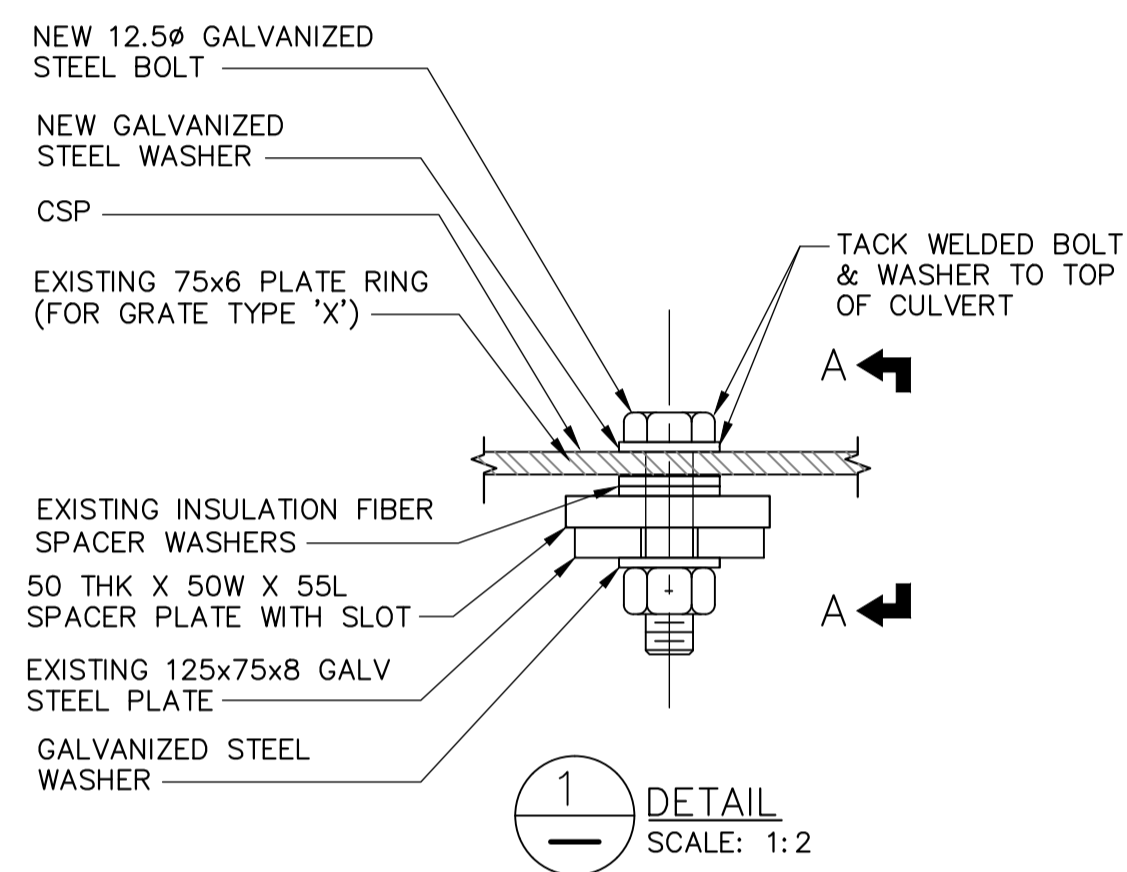
EXISTING DEBRIS GRATE DETAIL  
SCALE: N.T.S.



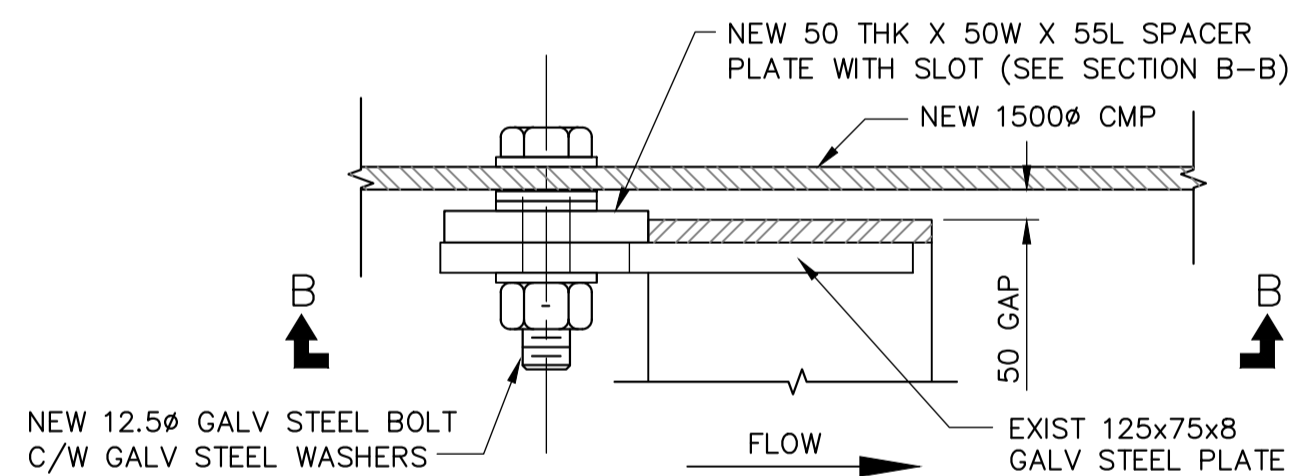
SIGN DETAIL  
SCALE: N.T.S.



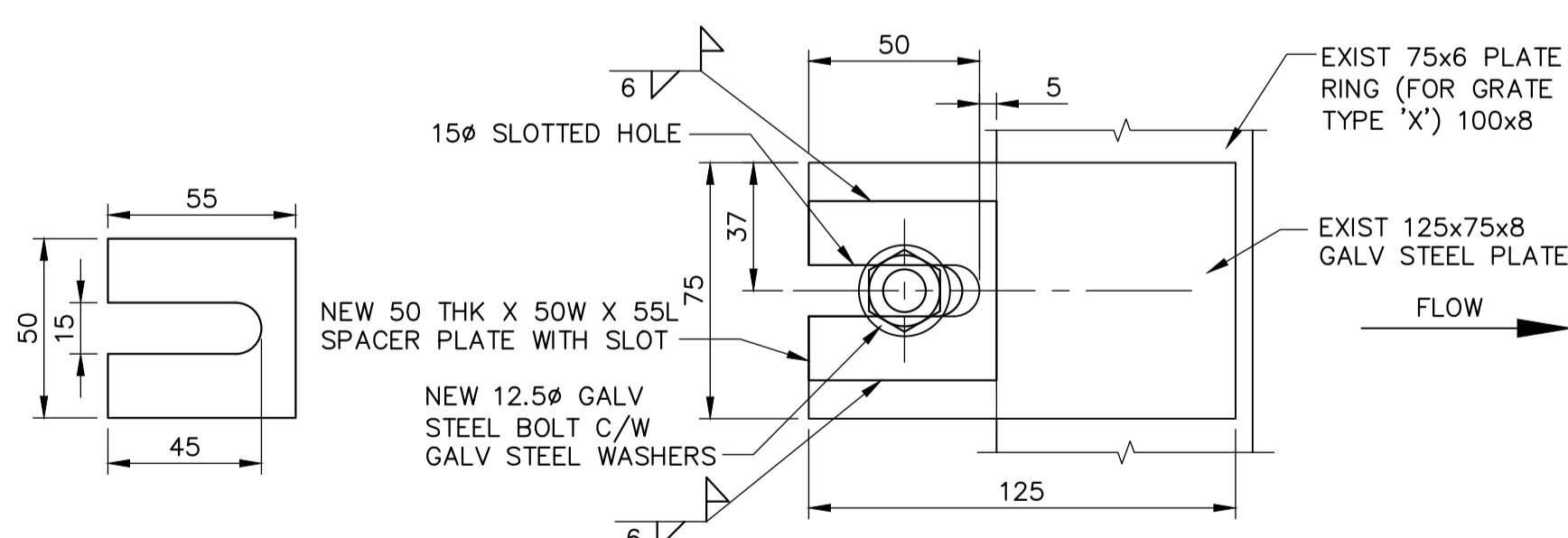
STRAP ANCHOR DETAIL  
SCALE: N.T.S.



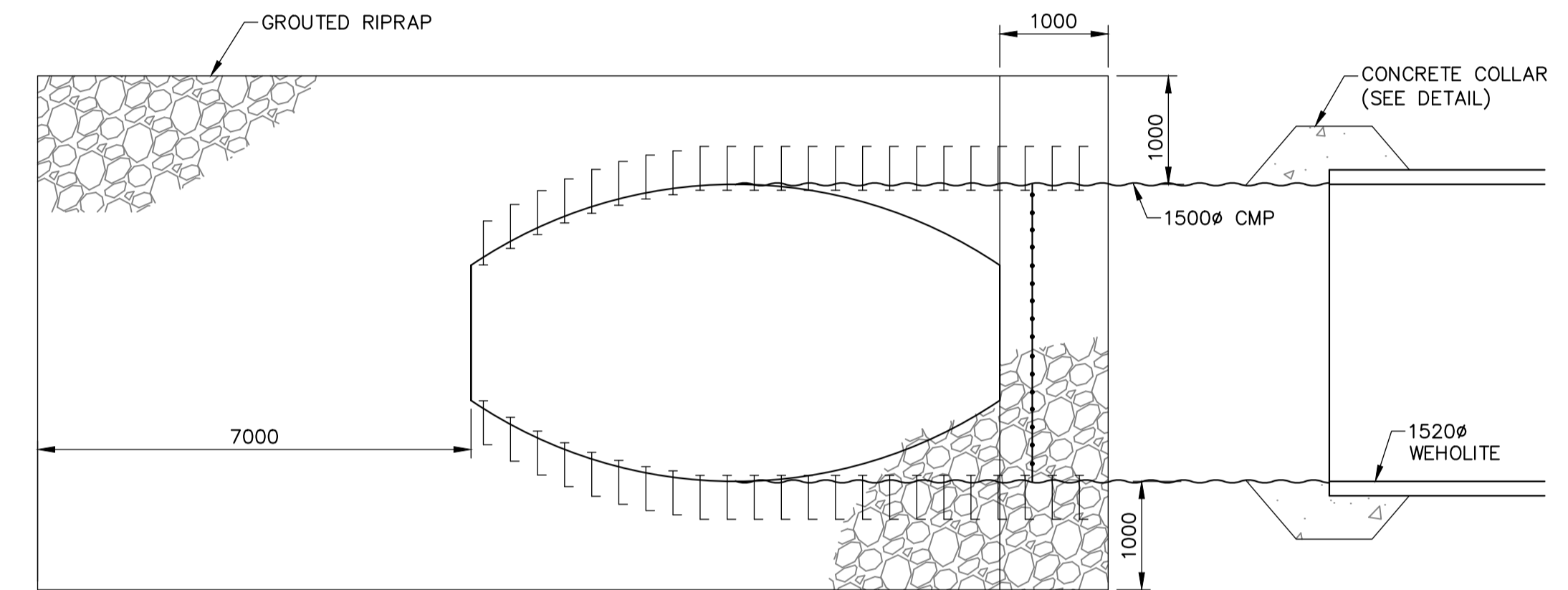
SECTION A-A  
SCALE: 1:2



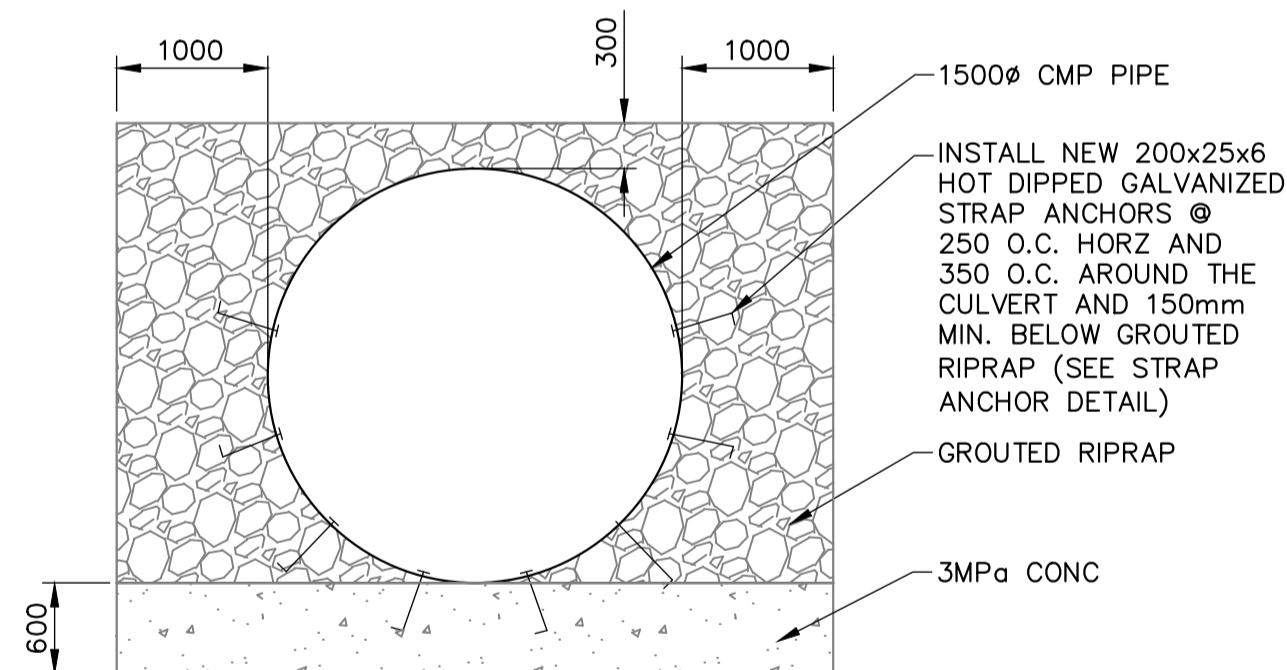
SECTION B-B  
SCALE: 1:2



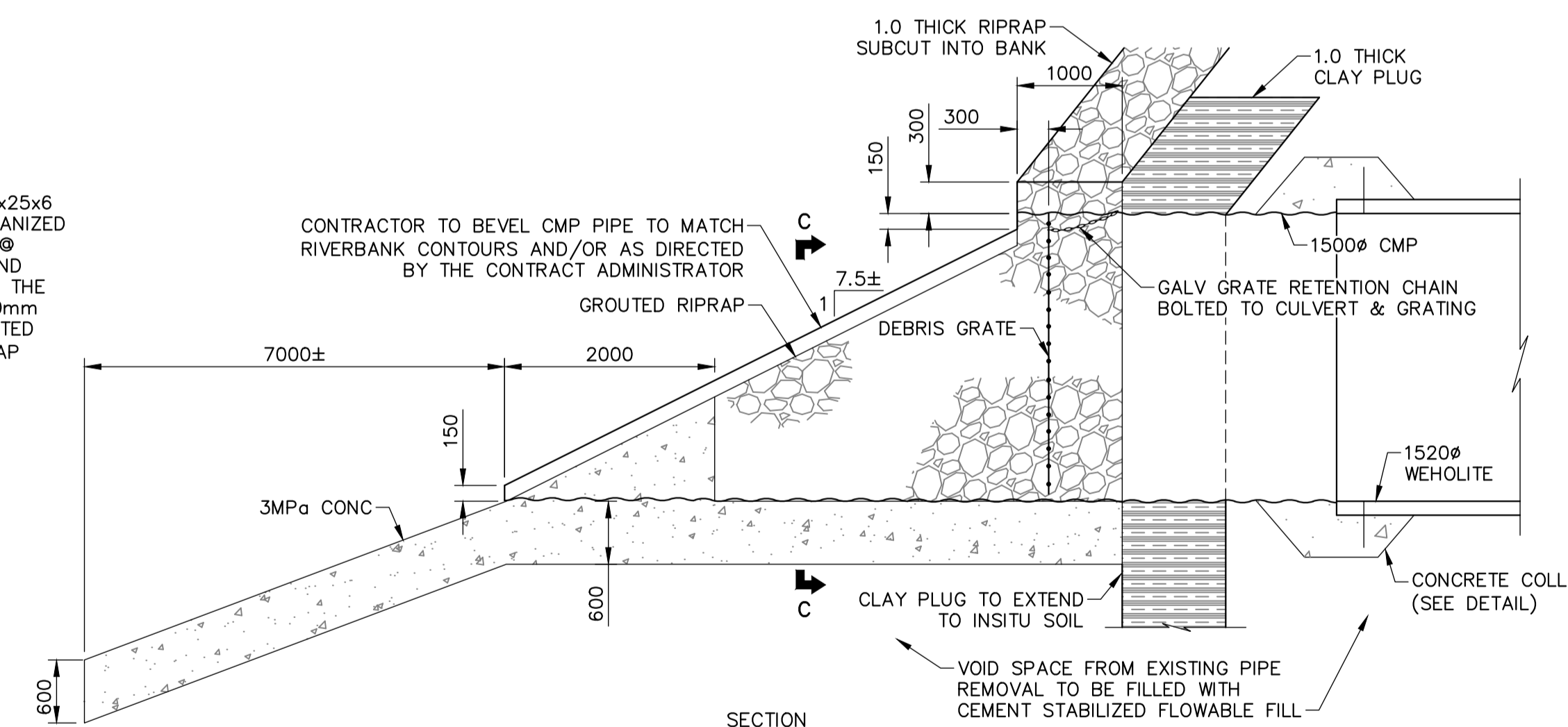
SECTION C-C  
SCALE: 1:2



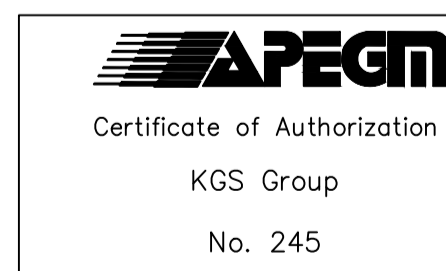
PLAN



SECTION C-C



CULVERT END / GROUDED RIPRAP C/W STRAP ANCHORS DETAIL  
SCALE: N.T.S.



METRIC  
WHOLE NUMBERS INDICATE MILLIMETRES  
DECIMALIZED NUMBERS INDICATE METRES

FOR INDEX PAGE SEE DWG  
1-03030-D0015-001

| WARNING   |  |
|---|--|
| IF POWER EQUIPMENT OR EXPLOSIVES ARE TO BE USED FOR EXCAVATION ON THIS PROJECT THE CONTRACTOR MUST: |  |
| 1) NOTIFY THE GAS COMPANY OF THE PROPOSED LOCATION OF EXCAVATION.                                   |  |
| 2) TAKE PRECAUTION TO AVOID DAMAGE TO GAS COMPANY INSTALLATIONS.                                    |  |
| SEE PROVINCIAL REGULATION 210/72 FOR DETAILS  |  |

| LOCATION APPROVED<br>UNDERGROUND STRUCTURES  |      |
|--|------|
| SUPV. U/G STRUCTURES COMMITTEE   | DATE |
| NOTE:<br>LOCATION OF UNDERGROUND STRUCTURES AS SHOWN ARE BASED ON THE BEST INFORMATION AVAILABLE BUT NO GUARANTEE IS GIVEN THAT ALL EXISTING UTILITIES ARE SHOWN OR THAT THE GIVEN LOCATIONS ARE EXACT. CONFIRMATION OF EXISTENCE AND EXACT LOCATION OF ALL SERVICES MUST BE OBTAINED FROM THE INDIVIDUAL UTILITIES BEFORE PROCEEDING WITH CONSTRUCTION. |      |

| REVISIONS |                        |            |     |
|-----------|------------------------|------------|-----|
| NO.       | REVISIONS              | DATE       | BY  |
| 1         | ISSUED WITH ADDENDUM 2 | 2023 12 04 |     |
| 0         | ISSUED FOR TENDER      | 2023 11 20 | RBO |

| DESIGNED BY         |  | CHECKED BY                |  |
|---------------------|--|---------------------------|--|
| NGV                 |  | RBO                       |  |
| DRAWN BY            |  | APPROVED BY               |  |
| GEL                 |  | RBO                       |  |
| SCALE:              |  | RELEASED FOR CONSTRUCTION |  |
| HORIZONTAL AS NOTED |  |                           |  |
| VERTICAL NA         |  |                           |  |
| DATE 2023 12 04     |  | DATE                      |  |

|  |
|--|
| ENGINEER'S SEAL                                |
| CONSULTANT DRAWING NUMBER<br>1-03030-C0078-002 |

|  |  |
|--|--|
|  |  |
| THE CITY OF WINNIPEG<br>WATER AND WASTE DEPARTMENT<br>ENGINEERING DIVISION |  |
| 2023 OUTFALL PROGRAM<br>RIVERGATE DRIVE OUTFALL REHABILITATION             |  |
| MISCELLANEOUS DETAILS<br>SHEET 2   |  |
| SHEET 5 OF 5   | CITY DRAWING NUMBER<br>1-03030-C0078-002 |