

1	ISSUED FOR ADDENDUM #5	CB	AA	24.01.11
Revision		By	Appd.	YY.MM.DD

0	ISSUED FOR CONSTRUCTION	CB	AA	23.09.18
Issued		By	Appd.	YY.MM.DD

File Name:	115423001e_e-304m	CB	AA	CB	22.05.27
		Dwn.	Chkd.	Dsgn.	YY.MM.DD

Permit-Seal

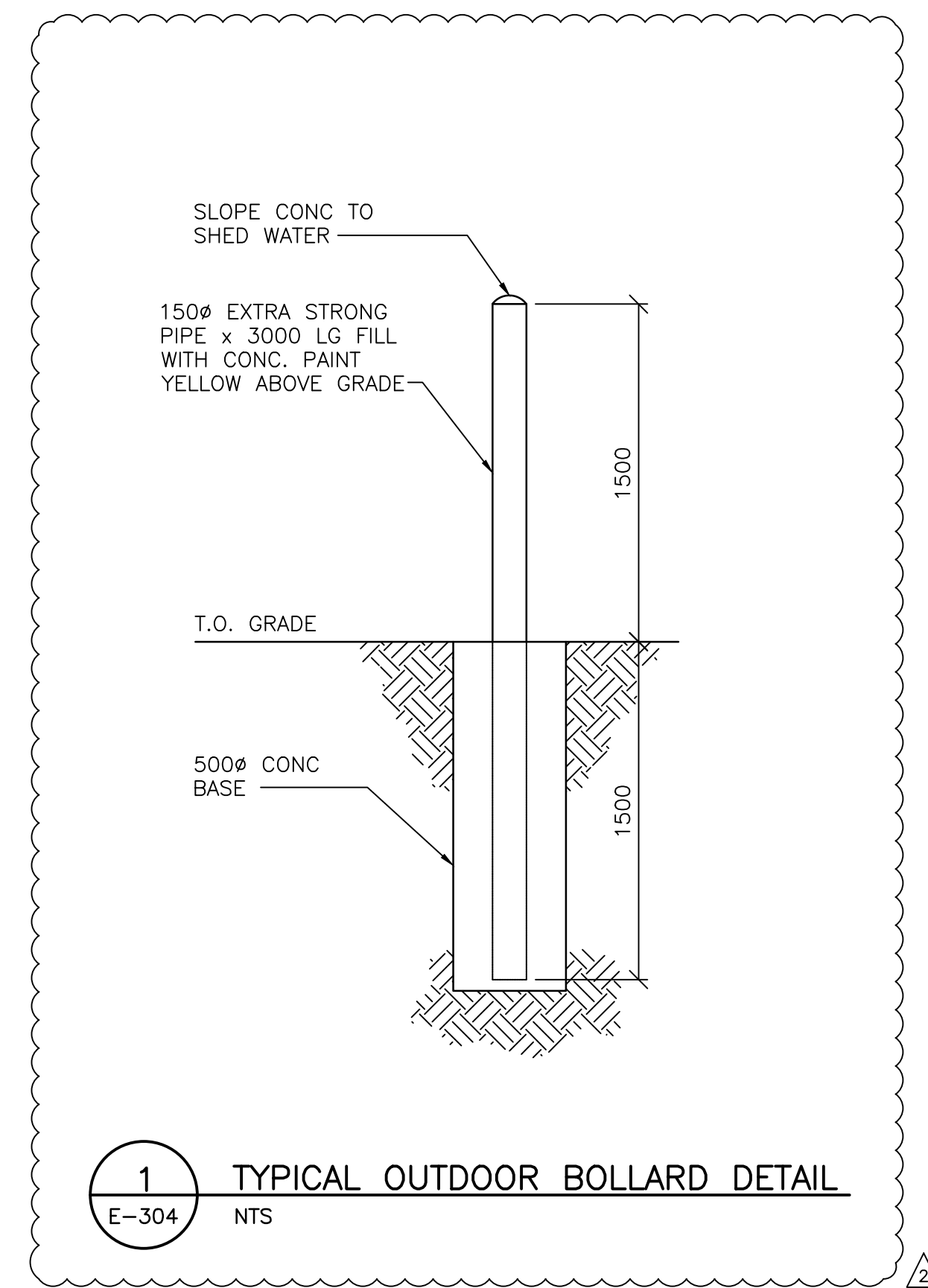


Client/Project
 WINNIPEG TRANSIT DIRECT CURRENT FAST CHARGING BUS STATIONS BRANDON GARAGE

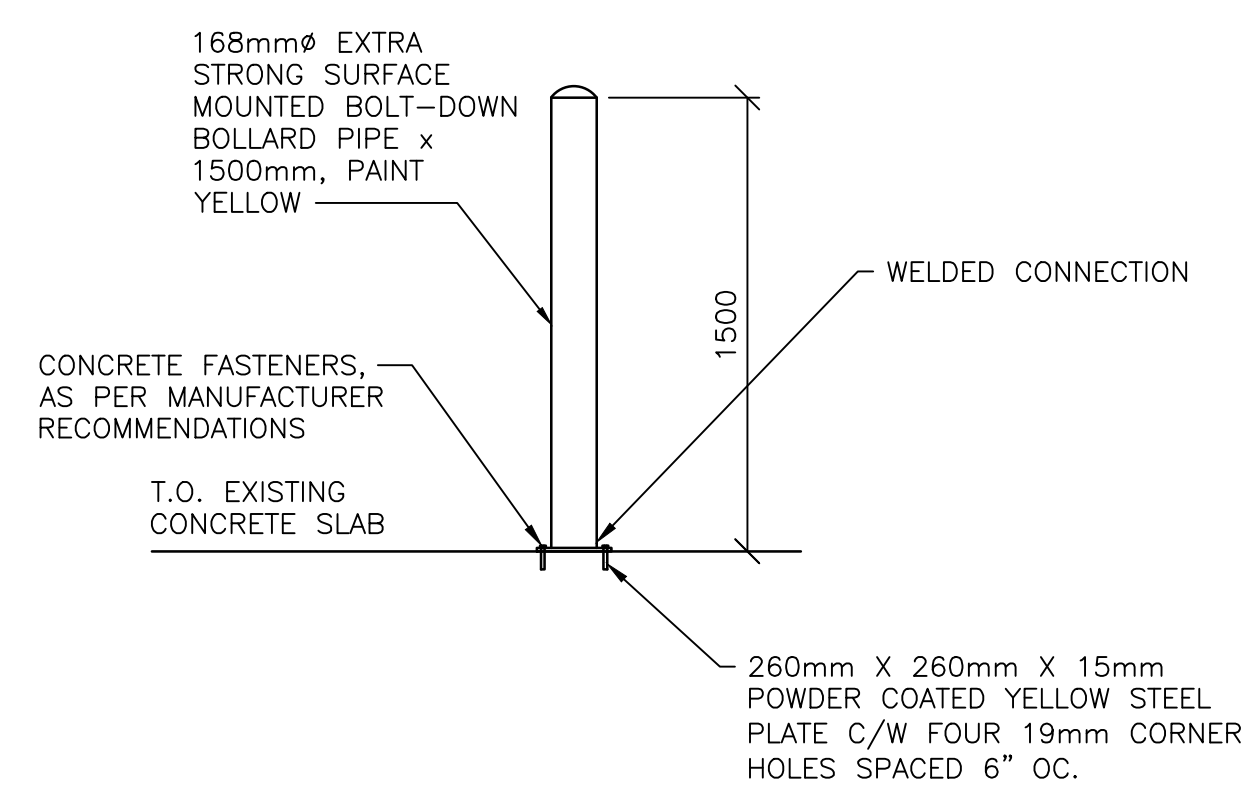
600 Brandon Ave. Winnipeg, Manitoba

Title
 STRUCTURAL DETAILS

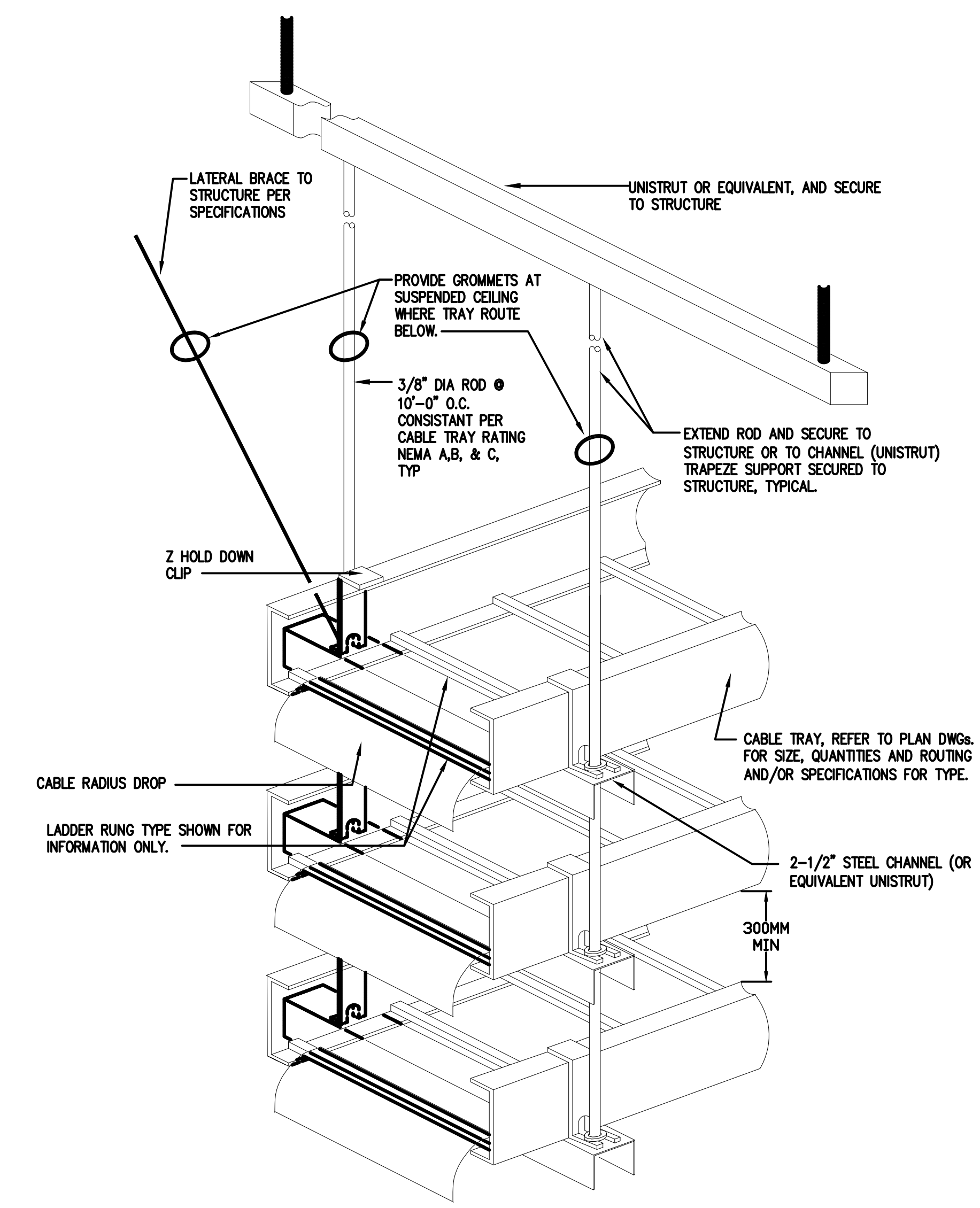
Project No.	144523001	Scale	As Indicated
Drawing No.	E-304	Sheet	12 of 12
		Revision	1



1 TYPICAL OUTDOOR BOLLARD DETAIL
 E-304 NTS



2 TYPICAL SURFACE MOUNTED BOLT-DOWN BOLLARD DETAIL
 E-304 NTS



3 CABLE TRAY SUPPORT DETAIL
 E-304 NTS

NOTE:
 1. CABLE TRAY INSTALLATION SHALL ADHERE TO CEC 12-2200. WHERE PERMITTED BY CODE, CONTRACTOR MAY SUBMIT A REQUEST TO THE OWNER TO REDUCE THE CLEARANCES BETWEEN THE TRAY SECTIONS.