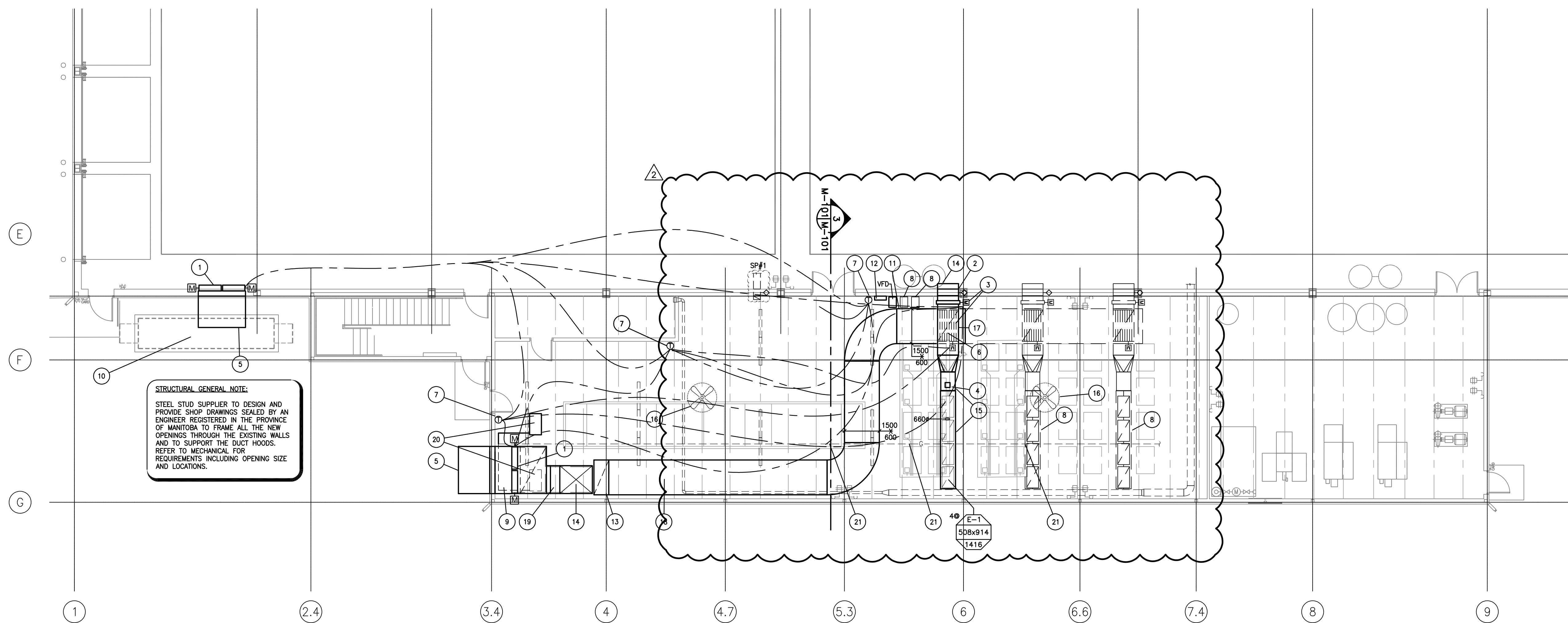


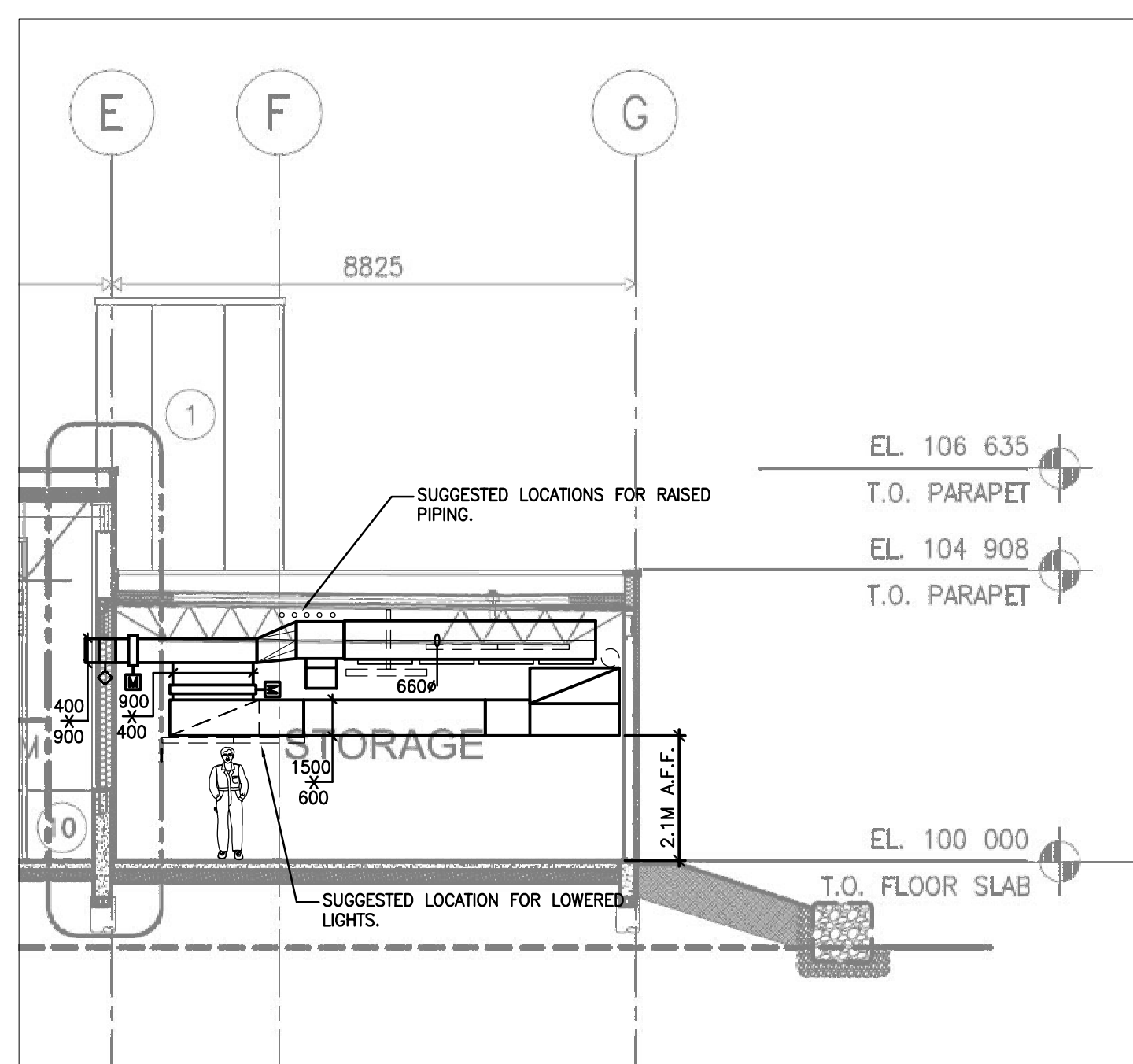
Revision	By	Appd.	YY.MM.DD
2	ED	AA	23.12.21
1	LS	RL	23.09.18
Issued	By	Appd.	YY.MM.DD
File Name:	KD	RL	BK
	Dwn.	Chkd.	Desgn.
			YY.MM.DD

ORIGINAL DRAWING SEALED BY
R.J. LAVITT
 MEMBER
 21924
 Stantec Consulting Ltd.
 2023-09-20

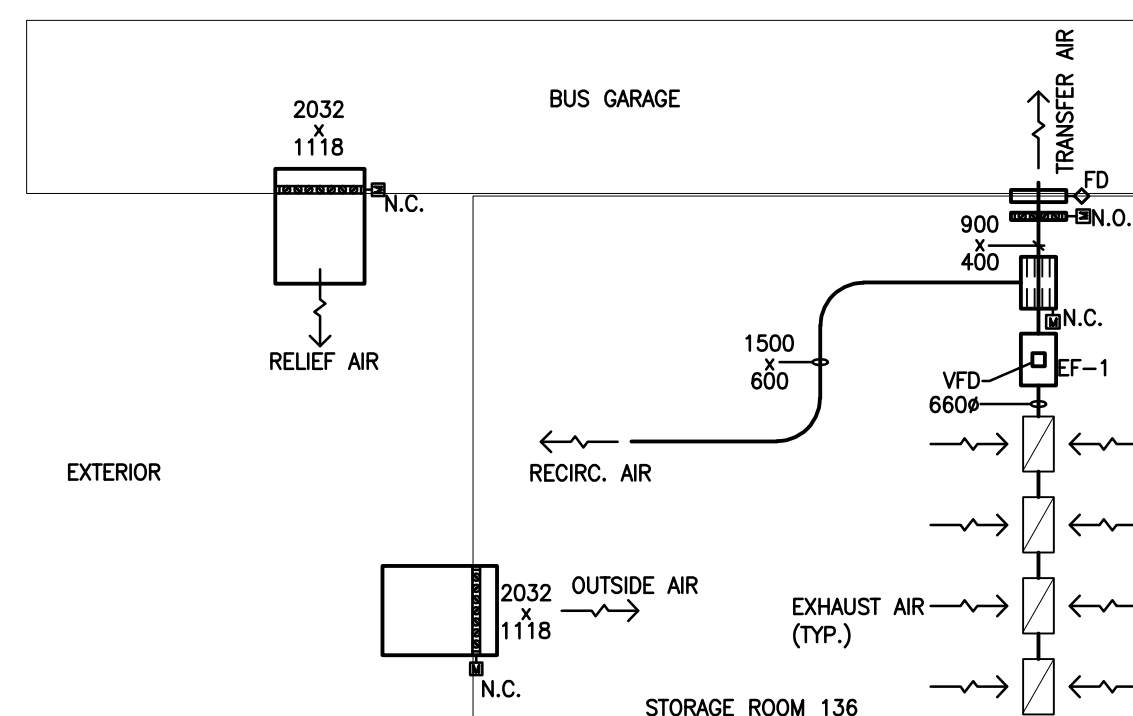


STRUCTURAL GENERAL NOTE:
 STEEL STUD SUPPLIER TO DESIGN AND PROVIDE SHOP DRAWINGS SEALED BY AN ENGINEER REGISTERED IN THE PROVINCE OF MANITOBA TO FRAME ALL THE NEW OPENINGS THROUGH THE EXISTING WALLS AND TO SUPPORT THE DUCT HOODS. REFER TO MECHANICAL FOR REQUIREMENTS INCLUDING OPENING SIZE AND LOCATIONS.

1 PARTIAL MAIN FLOOR SOUTH TRACKS -- MECHANICAL -- NEW CONSTRUCTION
 M-101 1:100



3 MECHANICAL SECTION
 M-101 1:100



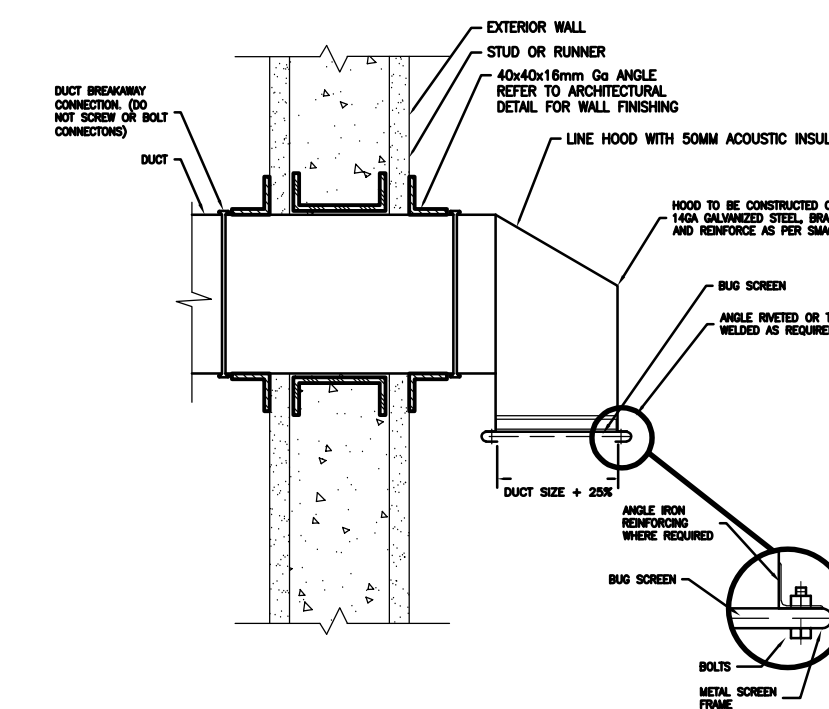
2 AIRFLOW SCHEMATIC
 M-101 N.T.S.

NUMERICAL NOTE LEGEND:

- 2032MM X 1118MM TAMCO 9000 OPPOSED BLADE DAMPER, CONFIGURATION 2F VERTICALLY SPLIT INTO TWO DAMPERS WITH SEPARATE CONTROL RODS. FLANGED TO DUCT INSTALLATION. C/W TWO MODULATING ACTUATORS.
- GREEN HECK FIRE DAMPER 1.5 HOUR RATED DFD-110 VERTICAL MOUNT C/W CLOSED INDICATOR SWITCH.
- GREENHECK HCD-230 INDUSTRIAL CONTROL DAMPER C/W MODULATING ACTUATOR.
- NORTHERN BLOWER VANEAXIAL BELT DRIVE FAN MODEL 7410 SIZE 2450. AIRFLOW: 12000 CFM (5663 L/S), STATIC PRESSURE: 2", MOTOR: 10HP WITH BHP OF 7.7 HP AND 1897 RPM. C/W VFD.
- 2032MM X 1118MM DOWNTURNED HOOD WITH 50MM ACOUSTIC INSULATION, 14GA GALVANIZED CONSTRUCTION, AND BUGSCREEN AT OPENING.
- 660# E/A DUCTWORK TO DROP AND CONNECT TO TOP OF 1000# DUCT.
- INSTALL NEW THERMOSTATS ON WALL.
- DUCTWORK, FANS, AND VFD'S TO BE ADDED IN FUTURE PHASE.
- CUSTOM GALVANIZED FULL SIZED FILTER RACK C/W SIDE ACCESS FOR FILTER CHANGES. PROVIDE 50MM THICK, FARR 30/30, MERV 8 PLEATED FILTER.
- CONFIRM GENERATOR PLACEMENT ON SITE.
- ELECTRICAL CONTRACTOR TO LOWER LIGHT ASSEMBLY TO BELOW THE NEW DUCTWORK.
- NEW DDC CONTROL BOX BY CONTROLS CONTRACTOR.
- TERMINATE WITH 45° OPEN END C/W EXPANDED METAL MESH.
- TERMINATE WITH OPEN END C/W EXPANDED METAL MESH.
- DUCT AND FAN MOUNTED WITHIN JOIST SPACE. PROVIDE VIBRATION ISOLATION AND FLEX CONNECTIONS FOR FAN.
- REMOVE EXISTING CEILING FANS ALONG WITH ASSOCIATED CONTROLS.
- IN DUCT SMOKE DETECTOR. SEE ELECTRICAL FOR DETAILS.
- TRANSITION DUCT UP TO HIGHER LEVEL WHILE AVOIDING EXISTING DUCTWORK AND STRUCTURE. DETERMINE EXACT HEIGHT ON SITE.
- INSTALL ACOUSTIC TRAP. TRANSITION TO 1400MM X 1200MM DUCT DOWN TOWARDS FLOOR AND GOOSENECK UP TO DISCHARGE INTO SPACE 1200MM ABOVE FINISHED FLOOR. ACOUSTIC HOOD AND DUCTWORK TO BE INTERNALLY LINED WITH 50MM ACOUSTIC INSULATION.
- RELOCATE EXISTING UNIT HEATER FROM CURRENT LOCATION, INDICATED BY DASHED LINES, NEW LOCATION INDICATED BY SOLID LINES. MODIFY GAS LINES AS NEEDED.
- RAISE 19# NATURAL GAS PIPE WITHIN THIS AREA TIGHT TO U/S OF ROOF DECK, TO ALLOW FOR NEW AND FUTURE DUCTWORK AND FAN INSTALLATION.

DESCRIPTION	REMARKS
TRANSFER	
EXHAUST	
E-1	E/A. PRICE \$150510/NO. EGG CRATE RETURN AIR GRILLE.

NOTES:
 1. COLOURS SHALL BE AS SELECTED BY THE ARCHITECT. CONFIRM COLOUR SELECTIONS PRIOR TO ORDERING.
 2. GRILLES, DIFFUSERS AND REGISTER SHALL BE PROVIDED TO CONFORM TO ARCHITECTURAL AND STRUCTURAL DETAILING. CONFIRM:
 a) STRUCTURAL OPENING SIZES RELATIVE TO GRILLE REQUIREMENTS.
 b) ARCHITECTURAL CEILING GRID MEASUREMENT (E. HALL METRIC / IMPERIAL).
GENERAL NOTE:
 ALL GRILLES, DIFFUSERS AND REGISTER WHICH ARE DUCT CONNECTED ARE TO BE PROVIDED WITH MANUAL DAMPERS AT CONNECTING DUCTS EXCEPT WHERE MANUAL DAMPERS ARE TO BE SPECIFIED INTERNAL TO GRILLES.



4 HOOD DETAIL
 M-101 N.T.S.

SEPARATE PRICE #1 (SP#1)

REMOVE EXISTING DUCT BACK TO GARAGE SIDE OF WALL. REMOVE EXISTING FIRE DAMPER FROM WALL. CAP DUCT IN GARAGE BAY. PATCH AND REPAIR WALL OPENING LEFT BY DAMPER AND DUCT.

I:\projects\2023\144523001\working\144523001\mech\122123.dwg layout1
 2023/12/21 8:27 PM By: Deronmee, Erco