

Revision	By	Appd.	YY.MM.DD		
1	ISSUED FOR CONSTRUCTION	LS	RL	23.09.18	
Issued		By	Appd.	YY.MM.DD	
File Name:	115423001mech_091623	KD	RL	BK	23.07.13
		Dwn.	Chkd.	Desgn.	YY.MM.DD

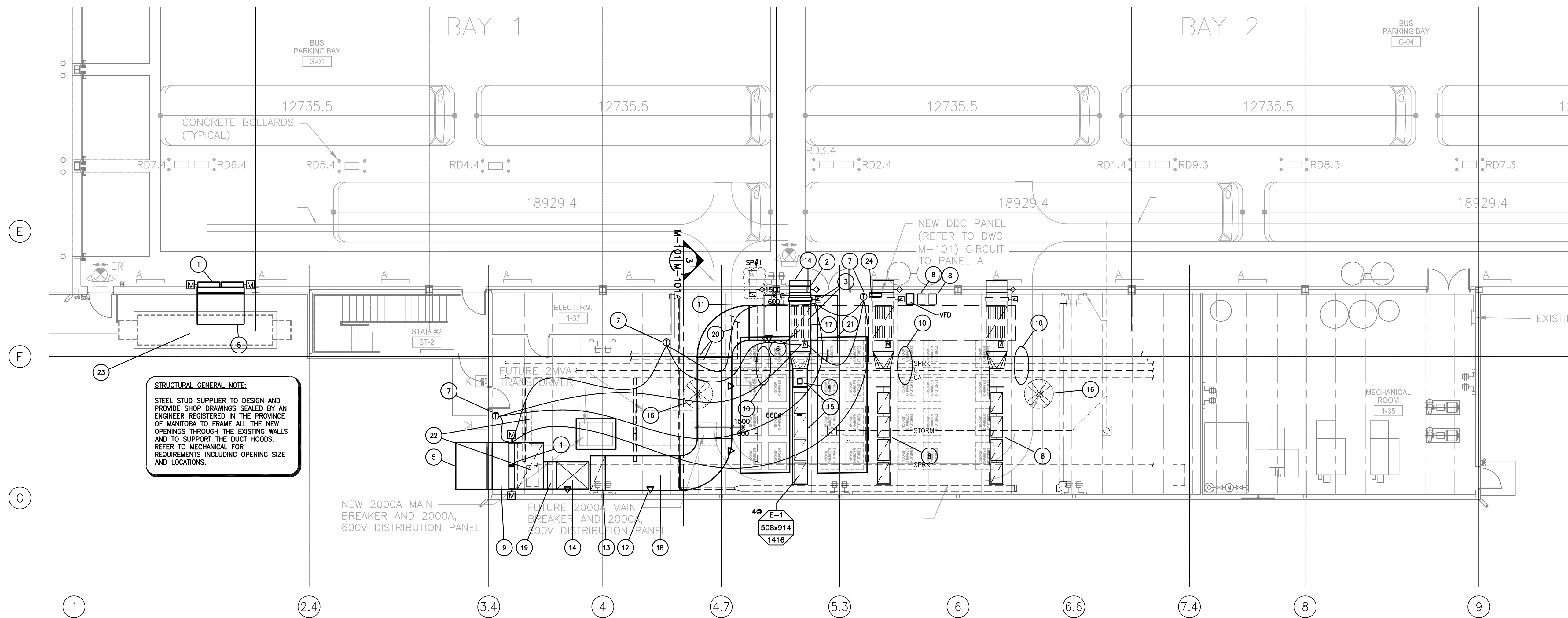


Client/Project
 WINNIPEG TRANSIT DIRECT CURRENT FAST
 CHARGING BUS STATIONS BRANDON GARAGE

600 Brandon Ave. Winnipeg, Manitoba

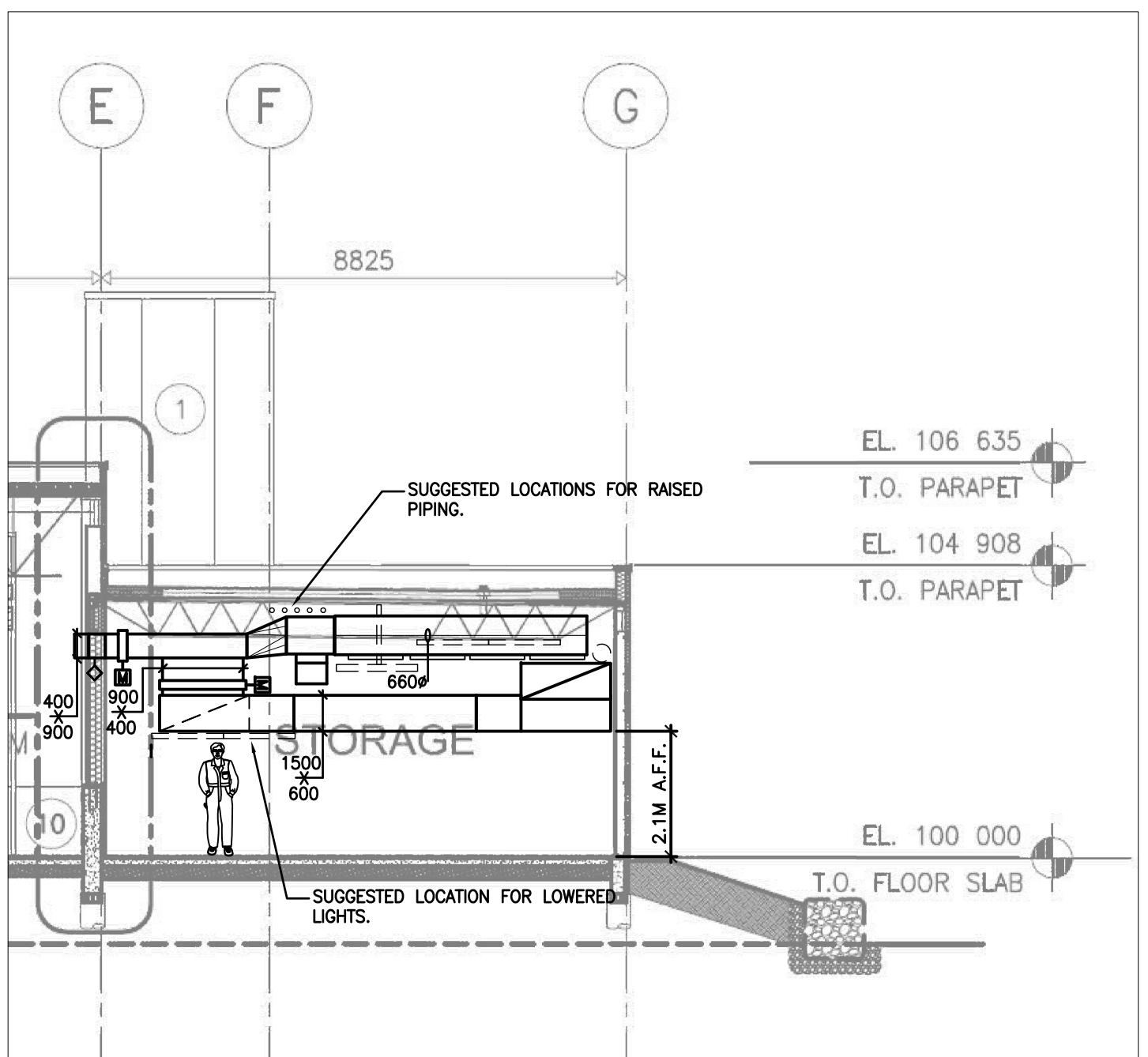
Title
 PARTIAL MAIN FLOOR PLAN -
 MECHANICAL - NEW CONSTRUCTION

Project No.	Scale	
144523001	As Indicated	
Drawing No.	Sheet	Revision

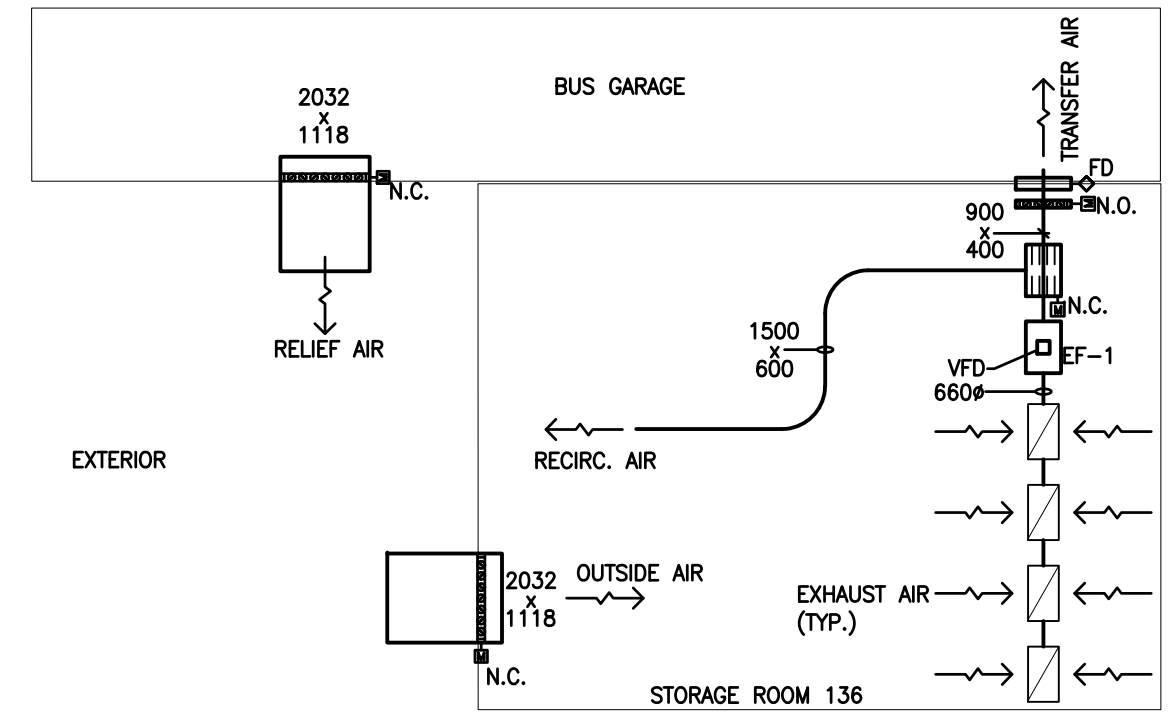


STRUCTURAL GENERAL NOTE:
 STEEL STUD SUPPLIER TO DESIGN AND
 PROVIDE SHOP DRAWINGS SEALED BY AN
 ENGINEER REGISTERED IN THE PROVINCE
 OF MANITOBA TO FRAME ALL THE NEW
 OPENINGS THROUGH THE EXISTING WALLS
 AND TO SUPPORT THE DUCT HOODS.
 REFER TO MECHANICAL FOR
 REQUIREMENTS INCLUDING OPENING SIZE
 AND LOCATIONS.

1 PARTIAL MAIN FLOOR SOUTH TRACKS -- MECHANICAL -- NEW CONSTRUCTION
 M-101 1:100



3 MECHANICAL SECTION
 M-101 1:100



2 AIRFLOW SCHEMATIC
 M-101 N.T.S.

SEPARATE PRICE #1 (SP#1)
 REMOVE EXISTING DUCT BACK TO GARAGE SIDE OF WALL. REMOVE EXISTING
 FIRE DAMPER FROM WALL. CAP DUCT IN GARAGE BAY. PATCH AND REPAIR
 WALL OPENING LEFT BY DAMPER AND DUCT.

NUMERICAL NOTE LEGEND:

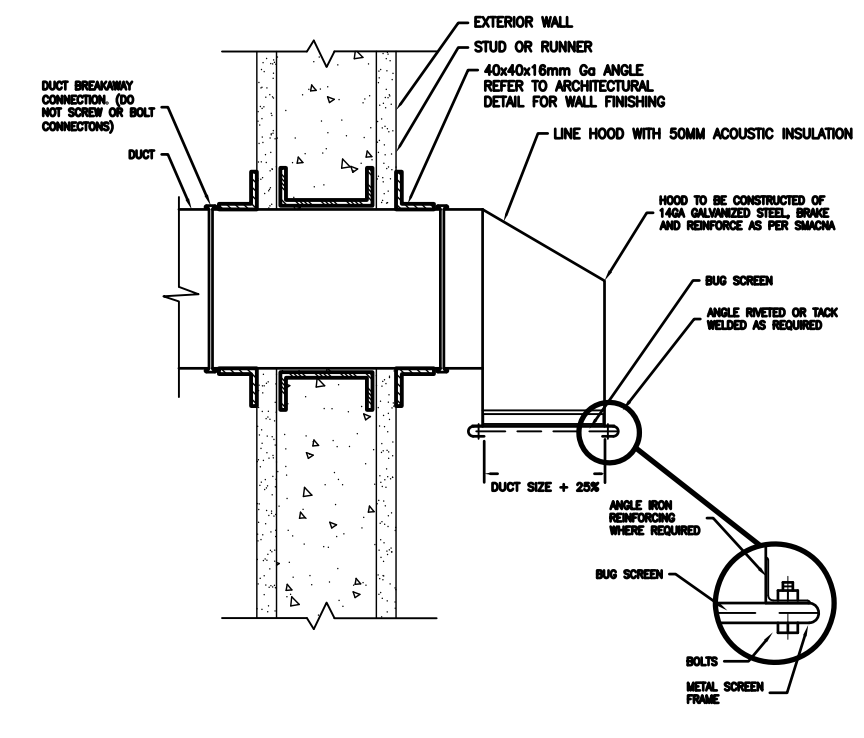
- 2032MM X 1118MM TAMCO 9000 OPPOSED BLADE DAMPER. CONFIGURATION 2F VERTICALLY SPLIT INTO TWO DAMPERS WITH SEPARATE CONTROL RODS. FLANGED TO DUCT INSTALLATION. C/W TWO MODULATING ACTUATORS.
- GREEN HECK FIRE DAMPER 1.5 HOUR RATED DFD-110 VERTICAL MOUNT C/W CLOSED INDICATOR SWITCH.
- GREENHECK HCD-230 INDUSTRIAL CONTROL DAMPER C/W MODULATING ACTUATOR.
- NORTHERN BLOWER VANEAXIAL BELT DRIVE FAN MODEL 7410 SIZE 2450. AIRFLOW: 12000 CFM (5663 L/S), STATIC PRESSURE: 2", MOTOR: 10HP WITH BHP OF 7.7 HP AND 1897 RPM. C/W VFD.
- 2032MM X 1118MM DOWNTURNED HOOD WITH 50MM ACOUSTIC INSULATION, 14GA GALVANIZED CONSTRUCTION, AND BUGSCREEN AT OPENING.
- 660# E/A DUCTWORK TO DROP AND CONNECT TO TOP OF 1000# DUCT.
- INSTALL NEW THERMOSTAT ON WALL.
- DUCTWORK FANS AND VFD'S TO BE ADDED IN FUTURE PHASE.
- CUSTOM GALVANIZED FULL SIZED FILTER RACK C/W SIDE ACCESS FOR FILTER CHANGES. PROVIDE 50MM THICK, FARR 30/30, MERV 8 PLEATED FILTER.
- RAISE 25# DCW, 25# DHW, 19# CA, 19# NATURAL GAS AND 50# SPRINKLER PIPE WITHIN THIS AREA TIGHT TO U/S OF ROOF DECK, TO ALLOW FOR NEW AND FUTURE DUCTWORK AND FAN INSTALLATION. REVISE SPRINKLER HEADS AS REQUIRED.
- ELECTRICAL CONTRACTOR TO LOWER LIGHT ASSEMBLY TO BELOW THE NEW DUCTWORK.
- NEW SIDEWALL SPRINKLER HEAD BELOW DUCTWORK. CONNECT TO EXISTING SPRINKLER BRANCH AT HIGH LEVEL. (TYP.)
- TERMINATE WITH 45° OPEN END C/W EXPANDED METAL MESH.
- TERMINATE WITH OPEN END C/W EXPANDED METAL MESH.
- DUCT AND FAN MOUNTED WITHIN JOIST SPACE. PROVIDE VIBRATION ISOLATION AND FLEX CONNECTIONS FOR FAN.
- REMOVE EXISTING CEILING FANS ALONG WITH ASSOCIATED CONTROLS.
- IN DUCT SMOKE DETECTOR. SEE ELECTRICAL FOR DETAILS.
- TRANSITION DUCT UP TO HIGHER LEVEL WHILE AVOIDING EXISTING DUCTWORK AND STRUCTURE. DETERMINE EXACT HEIGHT ON SITE.
- INSTALL ACOUSTIC TRAP. TRANSITION TO 1400MM X 1200MM DUCT DOWN TOWARDS FLOOR AND GOOSENECK UP TO DISCHARGE INTO SPACE 1200MM ABOVE FINISHED FLOOR. ACOUSTIC HOOD AND DUCTWORK TO BE INTERNALLY LINED WITH 50MM ACOUSTIC INSULATION.
- DEMOLISH EXISTING CWS AND HWS PIPING AS INDICATED BY DASHED LINES. CAP EXISTING PIPING.
- NEW PIPING TO SERVE EXISTING TRAP PRIMER. CONNECT TO EXISTING MAIN.
- RELOCATE EXISTING UNIT HEATER FROM CURRENT LOCATION, INDICATED BY DASHED LINES, NEW LOCATION INDICATED BY SOLID LINES.
- CONFIRM GENERATOR PLACEMENT ON SITE.
- NEW DDC CONTROL BOX BY CONTROLS CONTRACTOR.

GRILLE & DIFFUSER SCHEDULE

DESCRIPTION	TRANSFER	EXHAUST
EXHAUST AIR		
E-1	E/A. PRICE \$150510/RS. EGG CRATE RETURN AIR GRILLE.	

NOTES:
 1. COLOURS SHALL BE AS SELECTED BY THE ARCHITECT. CONFIRM COLOUR SELECTIONS PRIOR TO ORDERING.
 2. GRILLES, DIFFUSERS AND REGISTERS SHALL BE PROVIDED TO CONFORM TO ARCHITECTURAL AND STRUCTURAL DETAILING. CONFIRM.
 a) STRUCTURAL OPENING SIZES RELATIVE TO GRILLE REQUIREMENTS.
 b) ARCHITECTURAL CEILING GRID MEASUREMENT (E. 1900 METRIC / 6'0" IMPERIAL).

GENERAL NOTE:
 ALL GRILLES, DIFFUSERS AND REGISTERS WHICH ARE DUCT CONNECTED ARE TO BE PROVIDED WITH MANUAL DAMPERS AT CONNECTING DUCTS EXCEPT WHERE MANUAL DAMPERS ARE TO BE SPECIFIED INTERNAL TO GRILLES.



4 HOOD DETAIL
 M-101 N.T.S.