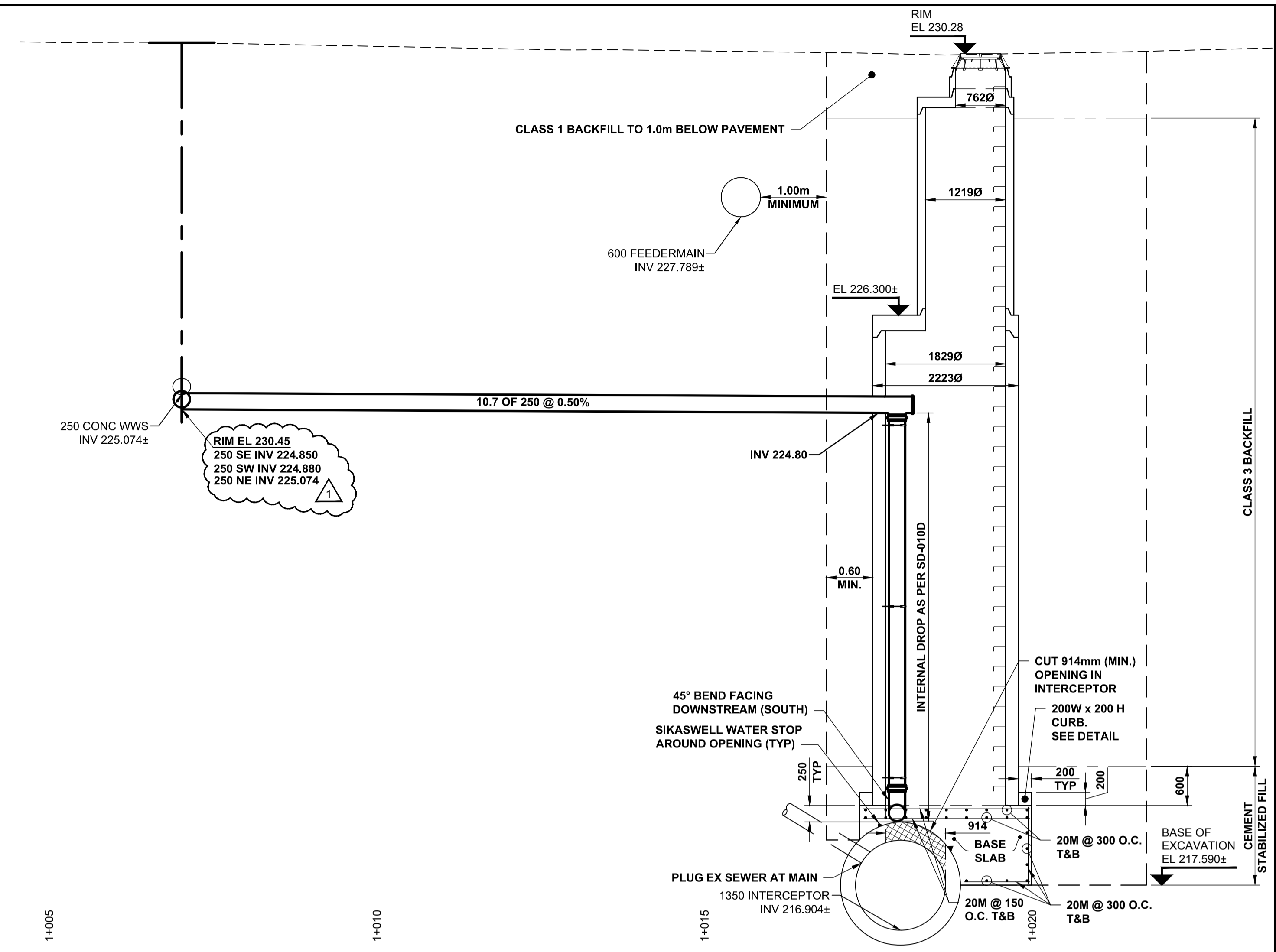
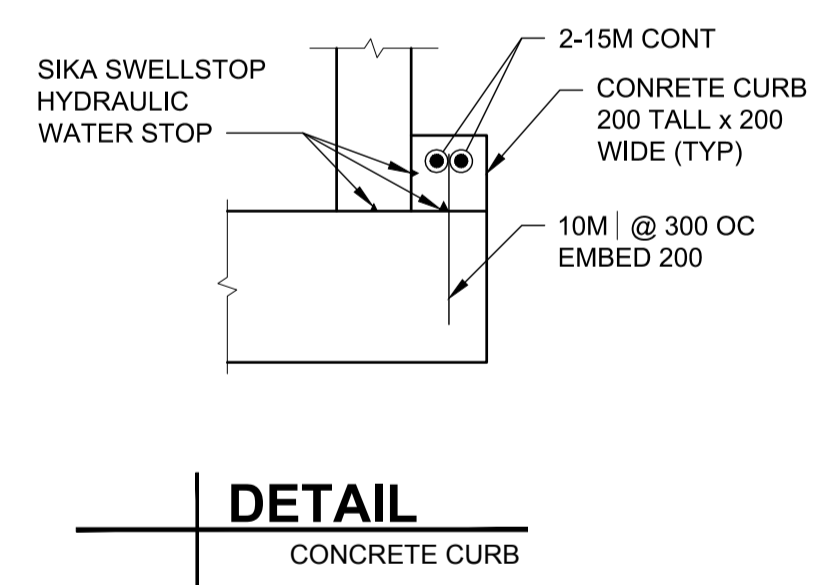
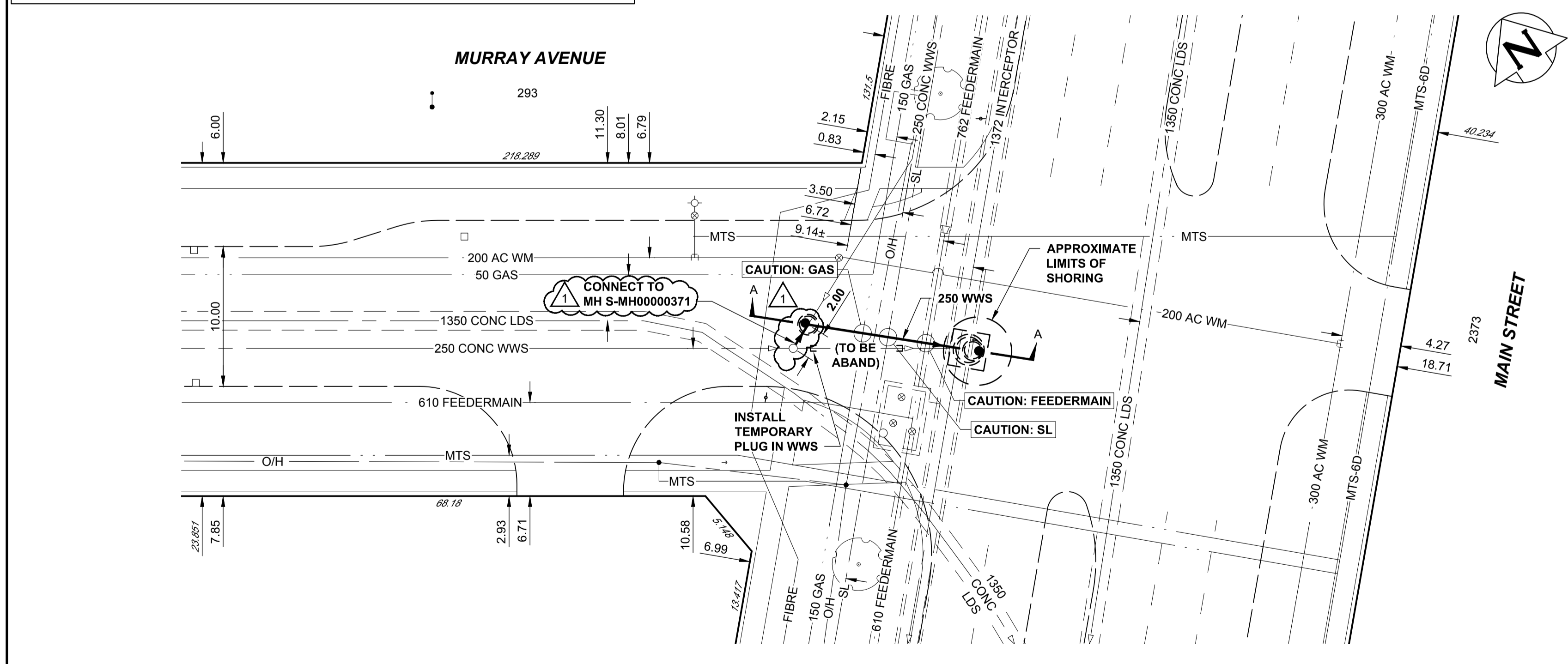
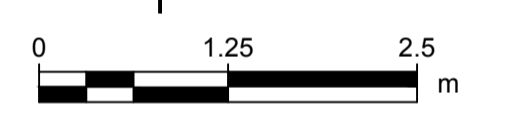


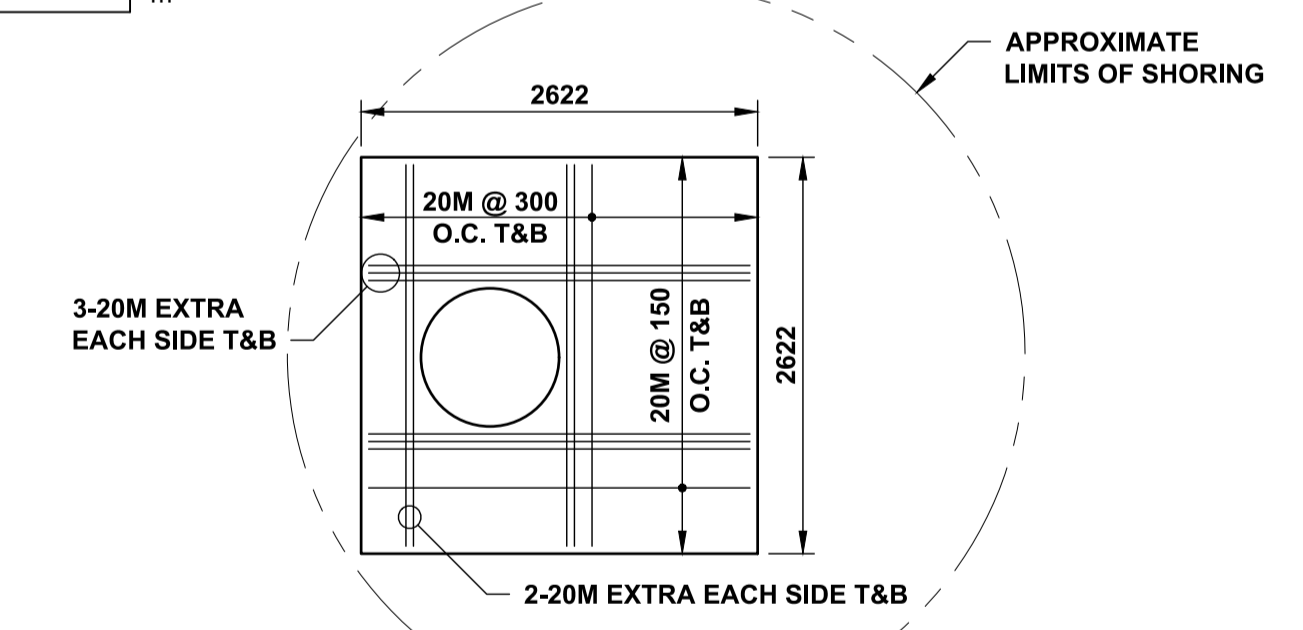
NOTE: CHAINAGES SHOWN ARE ALONG CL OF EXISTING 250 WWS STA. 1+000.000 =



**A SECTION**  
Scale 1:50



**DETAIL**  
CONCRETE CURB  
Scale 1:20



**PLAN**  
Scale 1:50

**ENGINEERS GEOSCIENTISTS MANITOBA**  
Certificate of Authorization  
AECOM Canada Ltd.  
No. 4671 Date: JAN. 20/23

ENGINEER'S SEAL  
ORIGINAL SIGNED BY J.A. THOMPSON  
23/01/20  
CONSULTANT DRAWING NUMBER C-1001

**THE CITY OF WINNIPEG**  
WATER AND WASTE DEPARTMENT  
ENGINEERING DIVISION  
MURRAY AVENUE  
WATERWATER SEWER REPLACEMENT  
PLAN / PROFILE  
MURRAY AVENUE AT MAIN STREET  
SHEET 3 OF 3  
CITY DRAWING NUMBER 13204

**WARNING**  
IF POWER EQUIPMENT OR EXPLOSIVES ARE TO BE USED FOR EXCAVATION ON THIS PROJECT THE CONTRACTOR MUST:  
1) NOTIFY THE GAS COMPANY OF THE PROPOSED LOCATION OF EXCAVATION.  
2) TAKE PRECAUTION TO AVOID DAMAGE TO GAS COMPANY INSTALLATIONS.  
SEE PROVINCIAL REGULATION 21072 FOR DETAILS

**LOCATION APPROVED**  
UNDERGROUND STRUCTURES  
SUPV. U/G STRUCTURES COMMITTEE DATE  
NOTE:  
LOCATION OF UNDERGROUND STRUCTURES AS SHOWN ARE BASED ON THE BEST INFORMATION AVAILABLE BUT NO GUARANTEE IS GIVEN THAT ALL EXISTING UTILITIES ARE SHOWN OR THAT THE GIVEN LOCATIONS ARE EXACT. CONFIRMATION OF EXISTENCE AND EXACT LOCATION OF ALL SERVICES MUST BE OBTAINED FROM THE INDIVIDUAL UTILITIES BEFORE PROCEEDING WITH CONSTRUCTION.

B.M. ELEV.		CONSTRUCTION COMPLETION DATE: YYYY MM DD	
1	ISSUED FOR ADDENDUM 3	01/02/23	ADL
0	ISSUED FOR CONSTRUCTION	20/01/23	ADL
NO.	REVISIONS	DATE	BY

**AECOM**

DESIGNED BY	JAT	CHECKED BY	MGM
DRAWN BY	ADL	APPROVED BY	K FITCHETT
SCALE:	HORIZONTAL 1:250 VERTICAL 1:50		
DATE	2023 02 01	RELEASED FOR CONSTRUCTION	S. COURNOYER
PLOT DATE: 2023 02 01		DATE	JAN. 20/23

