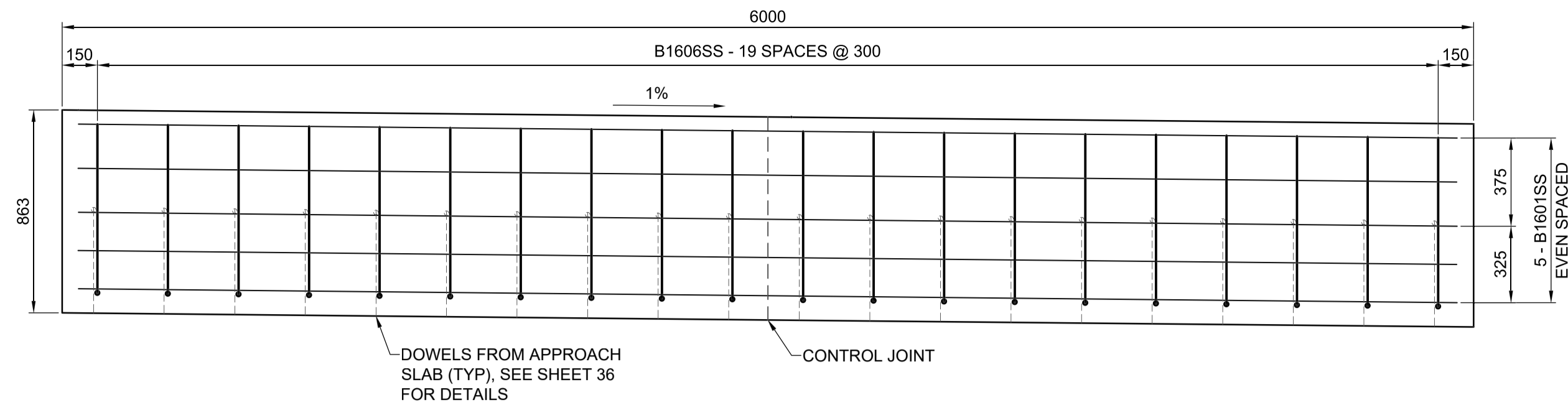
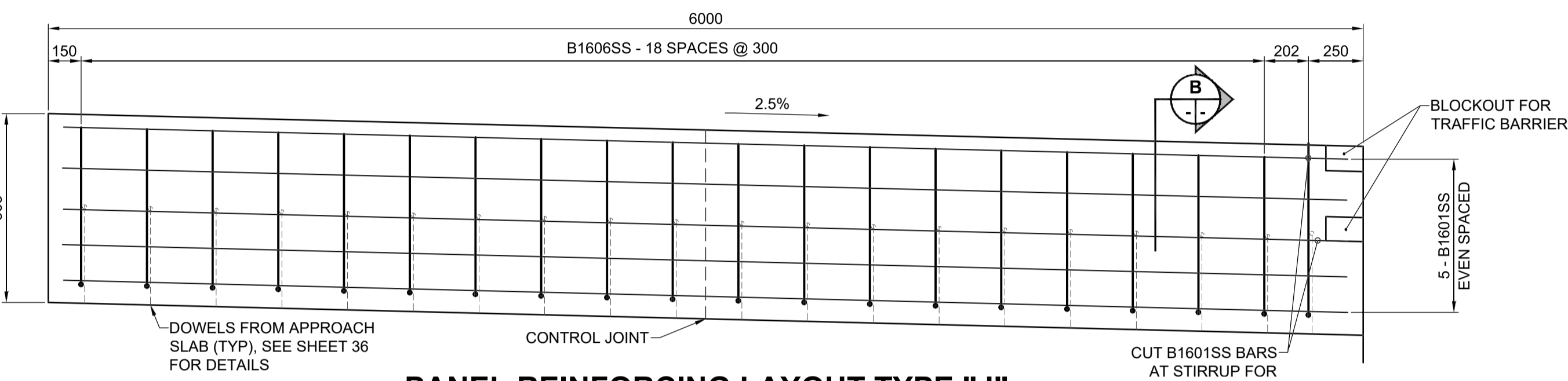


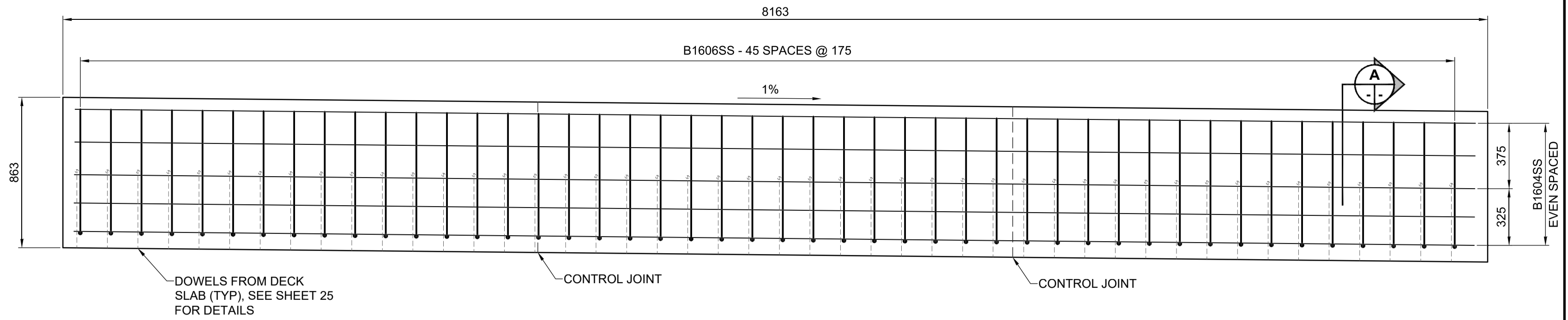
ISO A1 - 594mm x 841mm
 X:\Proj\22203665-00-CoW\2022-Creek Bend Road Bridge\2022-Creek Bend Road Bridge\2203665-CBR-DD-BARRIER03.dwg
 Last Saved: 8/17/2023 3:47 PM by AHeppner
 Plot Date: 8/22/2023 3:58 PM by AHeppner



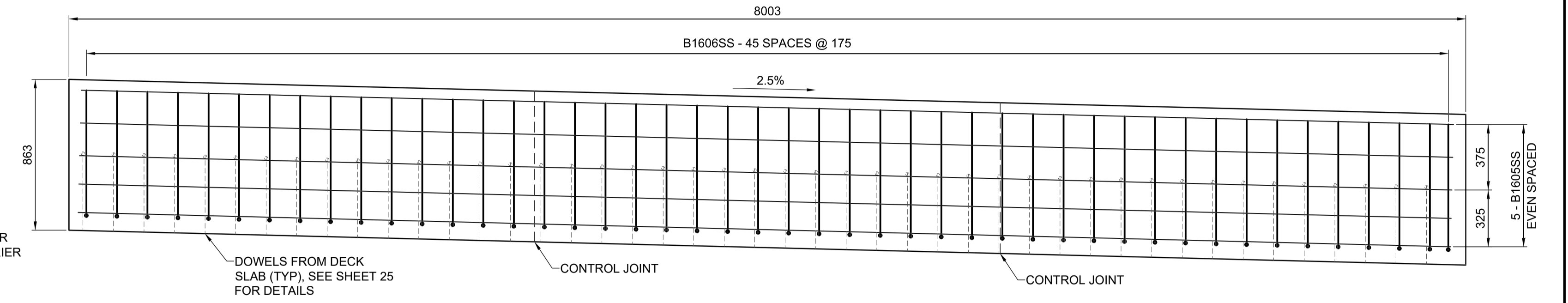
PANEL REINFORCING LAYOUT TYPE "F"
 SOUTH APPROACH - MEDIAN BARRIER
 SCALE 1:20



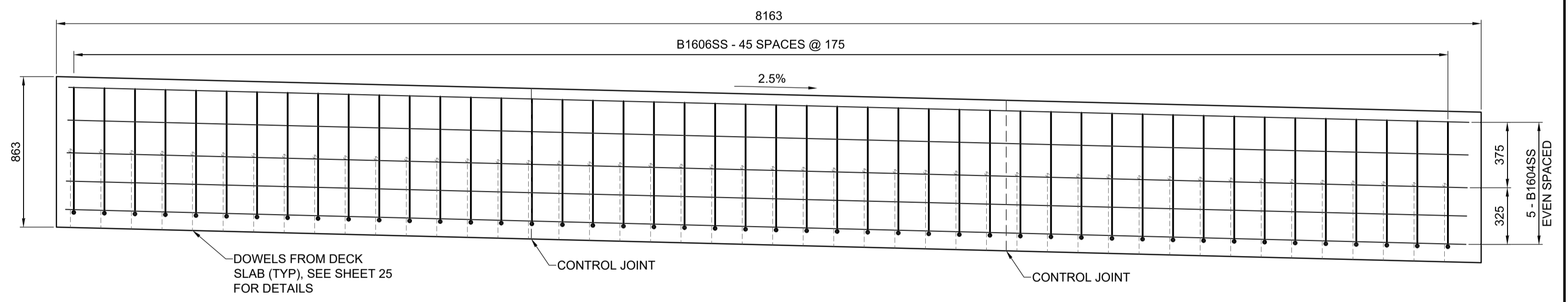
PANEL REINFORCING LAYOUT TYPE "J"
 NORTH APPROACH - MEDIAN BARRIER
 SCALE 1:20



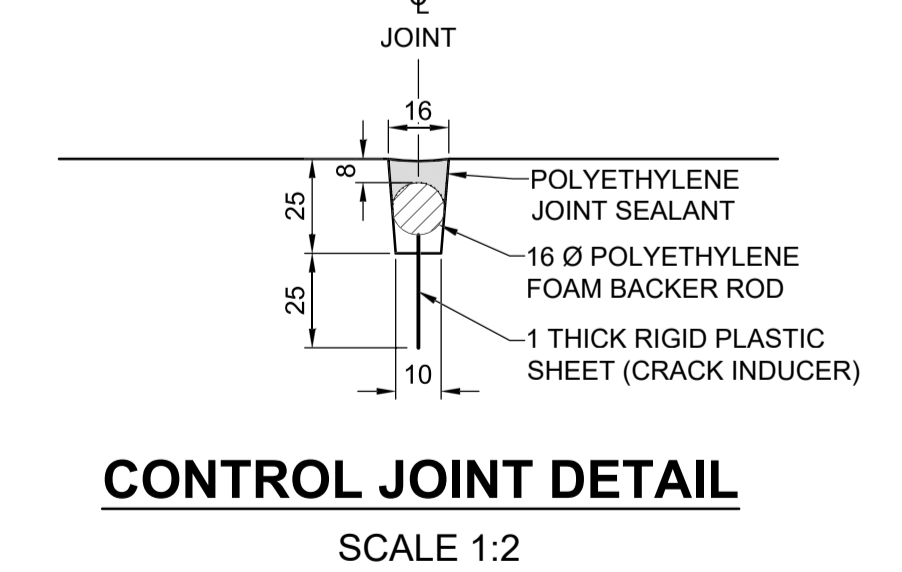
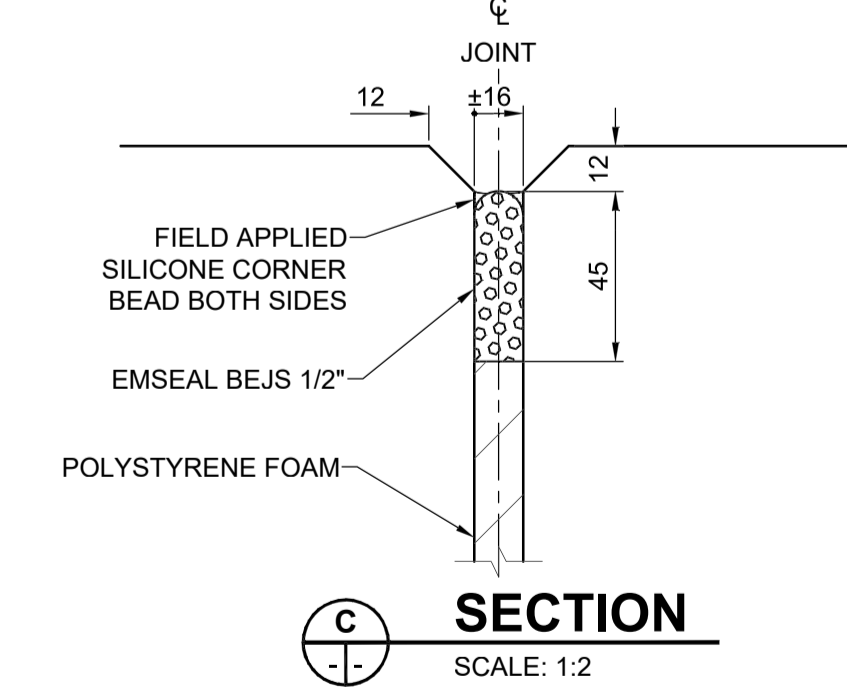
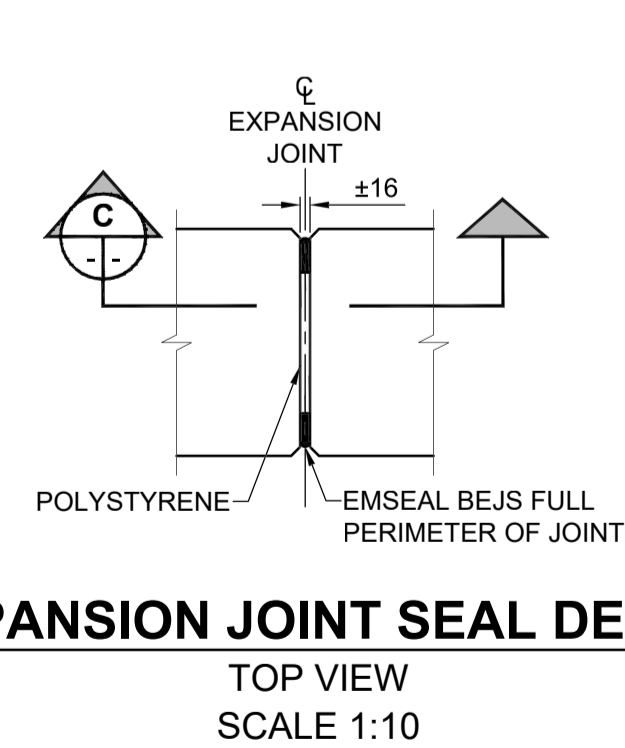
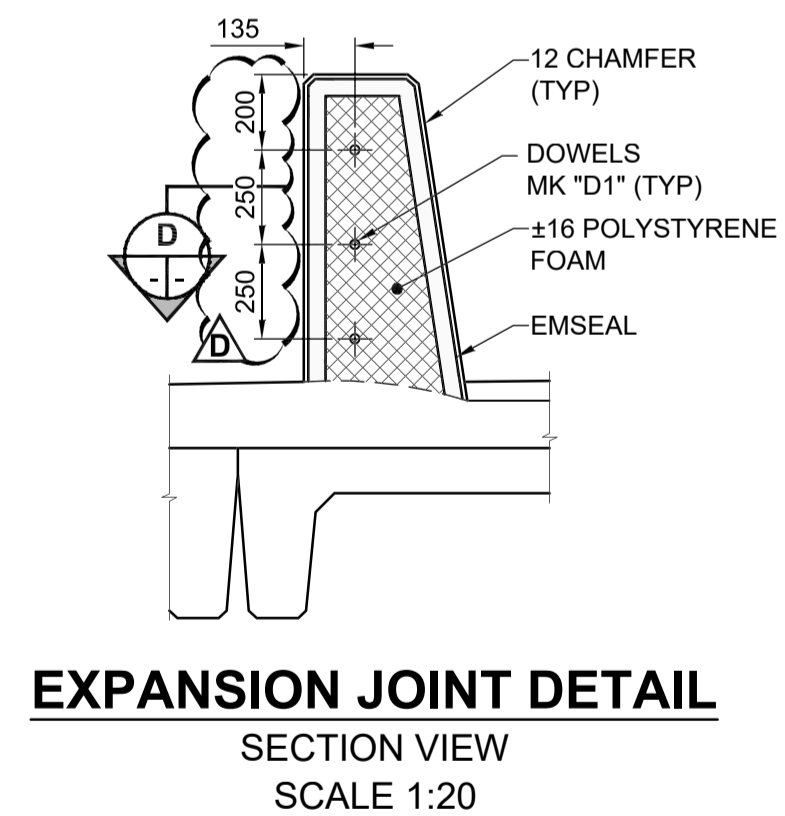
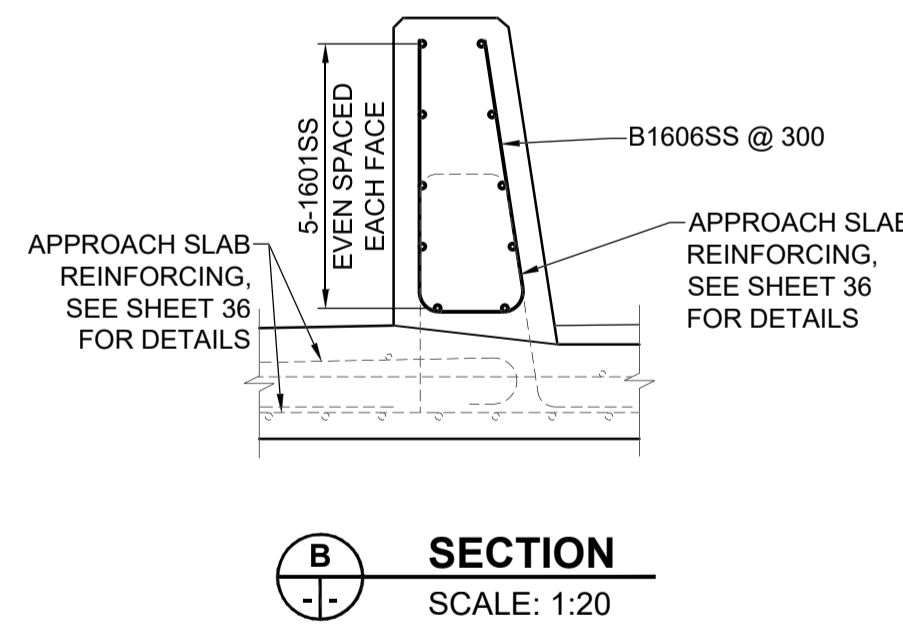
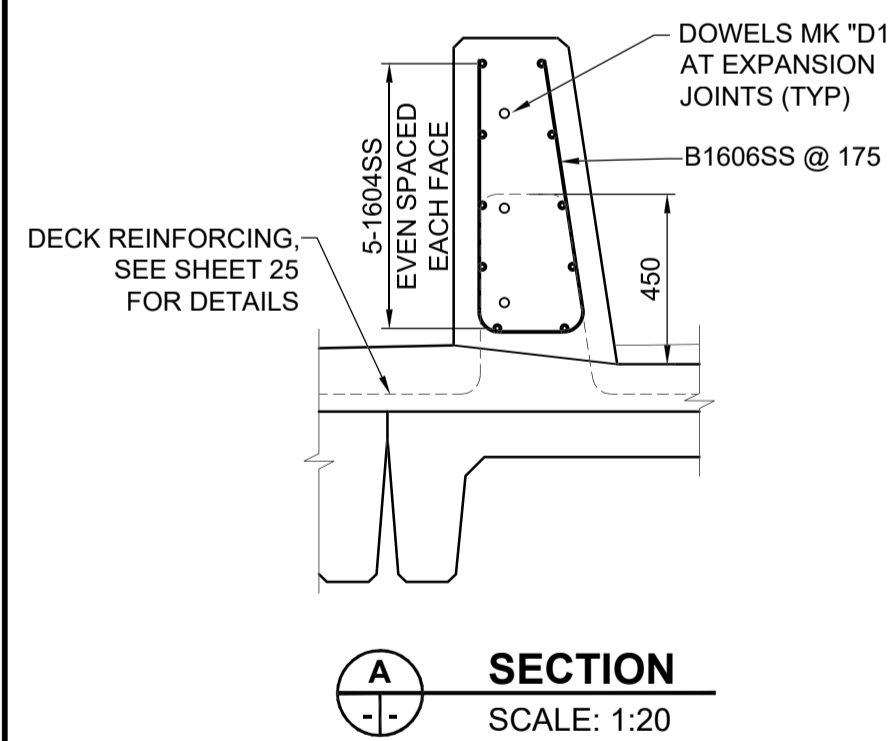
PANEL REINFORCING LAYOUT TYPE "G"
 SOUTH SPAN - MEDIAN BARRIER
 SCALE 1:20



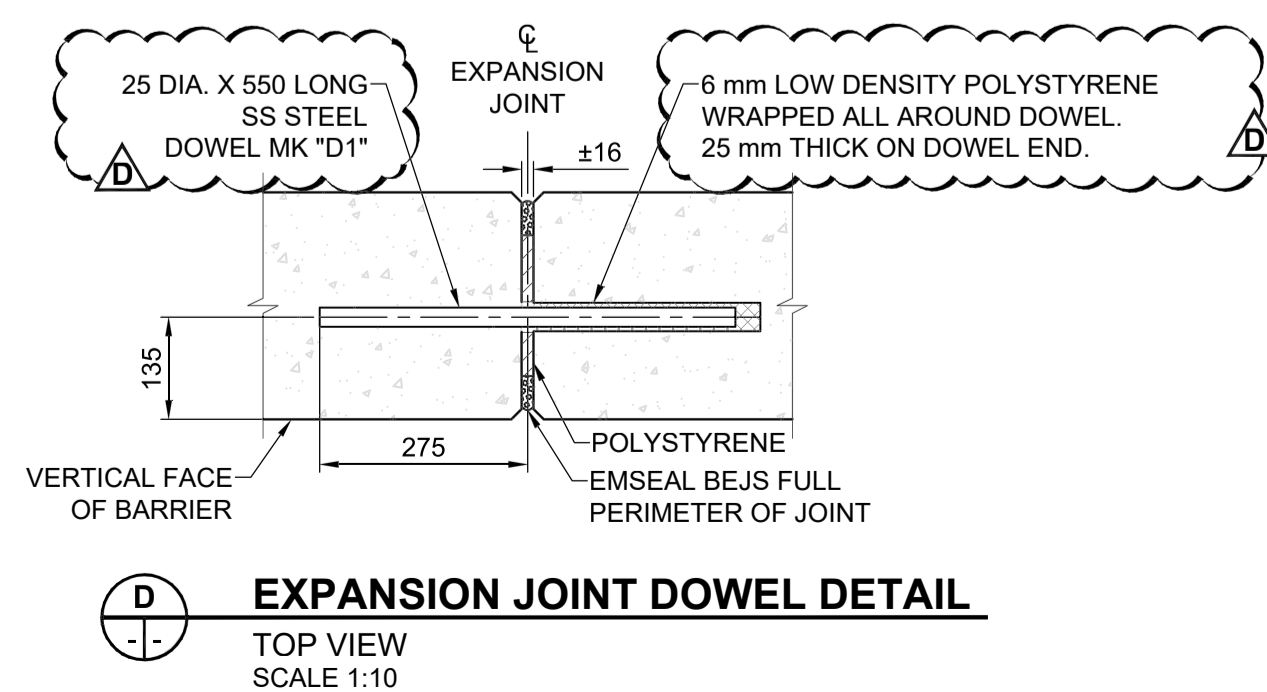
PANEL REINFORCING LAYOUT TYPE "H"
 MIDDLE SPAN - MEDIAN BARRIER
 SCALE 1:20



PANEL REINFORCING LAYOUT TYPE "I"
 NORTH SPAN - MEDIAN BARRIER
 SCALE 1:20



- NOTES:
 1. LOCALLY SHIFT VERTICAL BARRIER BARS AS REQUIRED TO PROVIDE 50mm OF CLEARANCE TO CONTROL JOINTS
 2. SEE SHEET 2 FOR STEEL DOWEL SCHEDULE



LOCATION APPROVED
 UNDERGROUND STRUCTURES

DATE: _____

NOTE:
 LOCATION OF UNDERGROUND STRUCTURES AS SHOWN ARE BASED ON THE BEST INFORMATION AVAILABLE BUT NO GUARANTEE IS GIVEN THAT ALL EXISTING UTILITIES ARE SHOWN OR THAT THE GIVEN LOCATIONS ARE EXACT. CONFIRMATION OF EXISTENCE AND EXACT LOCATION OF ALL SERVICES MUST BE OBTAINED FROM THE INDIVIDUAL UTILITIES BEFORE PROCEEDING WITH CONSTRUCTION.

BM	78-009	N.W. Cor. Paddington Rd. & Dakota St., 19 mm dia. x 6.1 m
ELEV	232.749 m	1.8 m Valve Box, 5.5 m S. of N.L. Paddington Rd. & on W.L. of Dakota St., in traffic island
D	ISSUED FOR ADDENDUM 1	23/08/23 BAP
C	ISSUED FOR TENDER	23/08/02 BAP
B	ISSUED FOR 95% REVIEW	23/06/27 BAP
A	ISSUED FOR 50% REVIEW	23/04/14 BAP
No.	REVISIONS	YYMMDD BY



DESIGNED BY	ALP	CHECKED BY	AGG
DRAWN BY	AS	APPROVED BY	BAP
HOR SCALE	AS SHOWN	RELEASED FOR CONSTRUCTION	
VERT SCALE	AS SHOWN		
DATE	JUNE 27, 2023	DATE	

PROFESSIONAL'S SEAL

CONSULTANT FILE NAME
 2203665-CBR-DD-BARRIER03.dwg

ENGINEERS GEOSCIENTISTS MANITOBA
 Certificate of Authorization
 MORRISON HERSHFIELD
 No. 1736

TENDER No. 335-2023

THE CITY OF WINNIPEG
 PUBLIC WORKS DEPARTMENT
 ENGINEERING DIVISION

CREEK BEND ROAD BRIDGE REPLACEMENT AND RELATED WORKS

CITY DRAWING NUMBER
 B149-23-29

SHEET 29 OF 52

DRAWING NUMBER
 29

MEDIAN BARRIER REINFORCING

METRIC
 WHOLE NUMBERS INDICATE MILLIMETRES
 DECIMALIZED NUMBERS INDICATE METRES