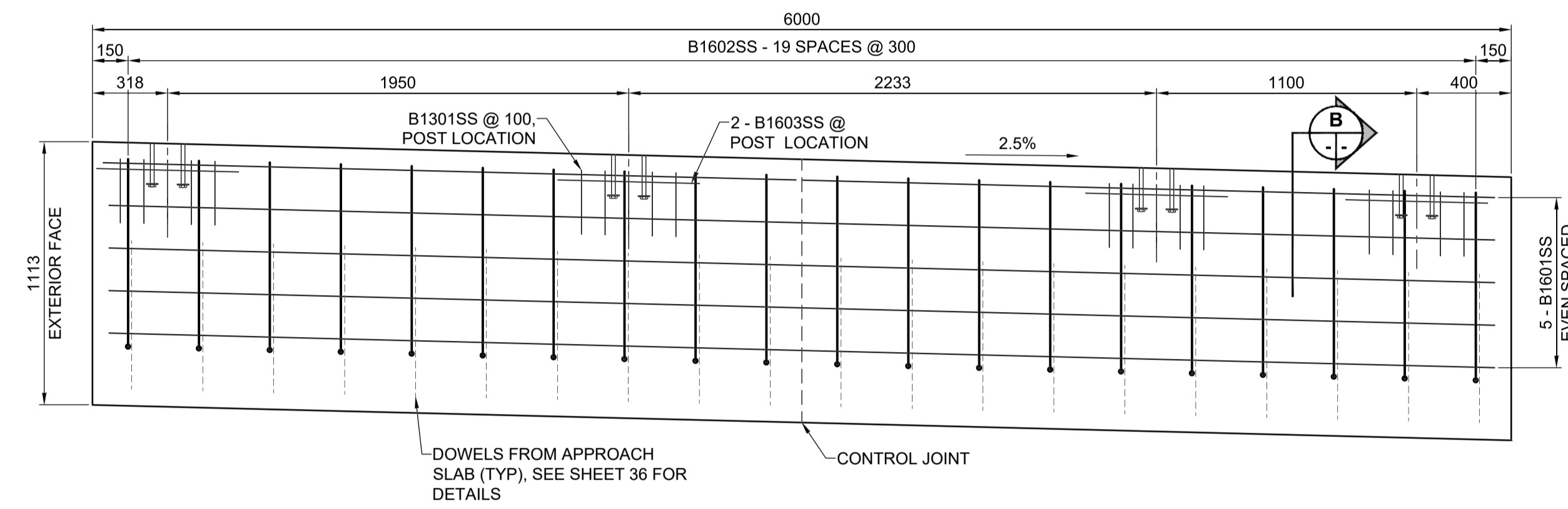
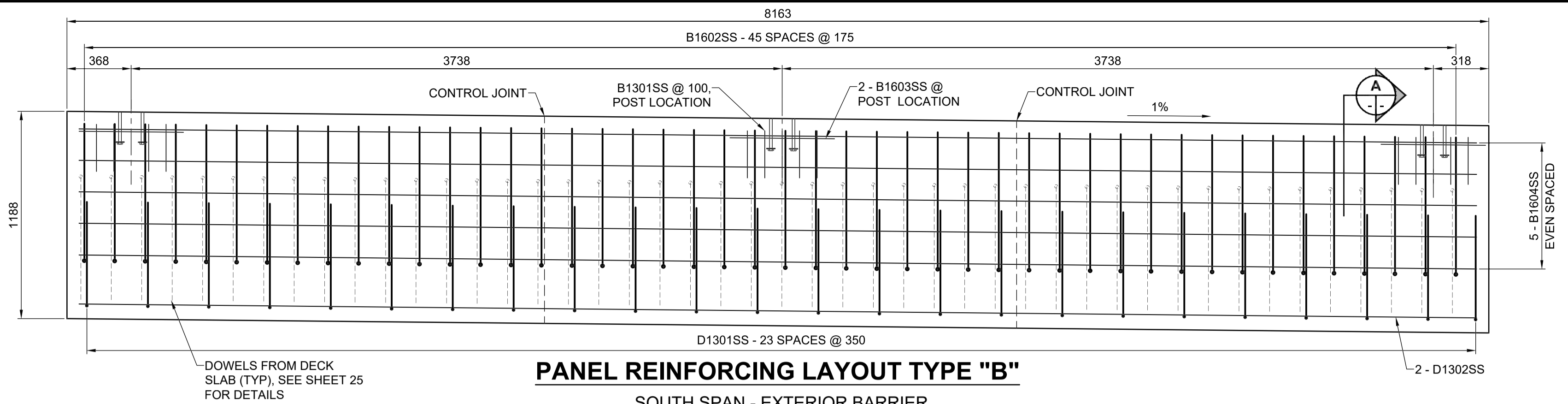


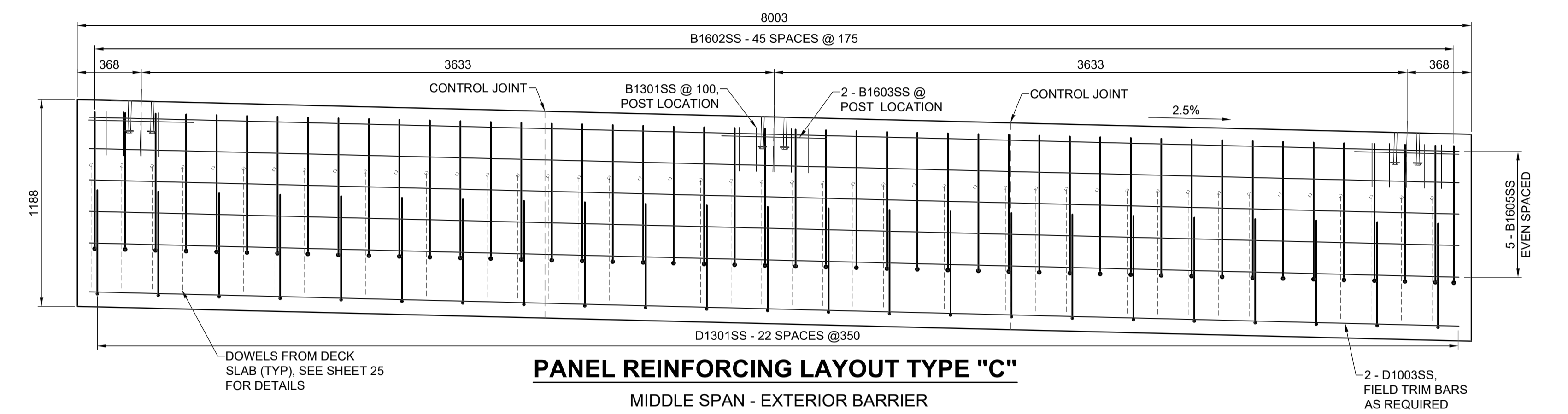
**PANEL REINFORCING LAYOUT TYPE "A"**  
SOUTH APPROACH - EXTERIOR BARRIER  
SCALE 1:20



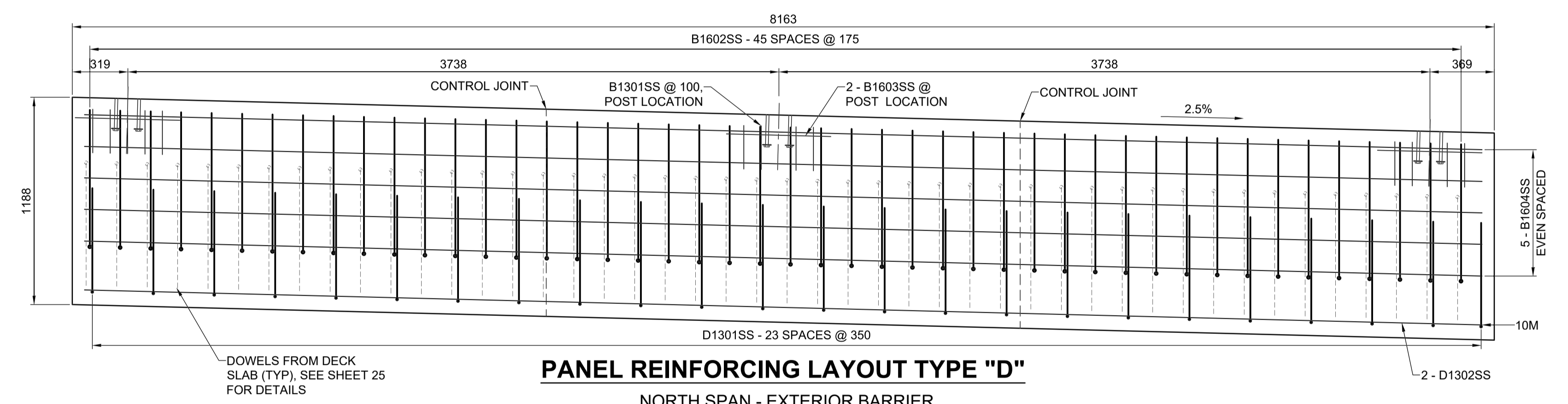
**PANEL REINFORCING LAYOUT TYPE "E"**  
NORTH APPROACH - EXTERIOR BARRIER  
SCALE 1:20



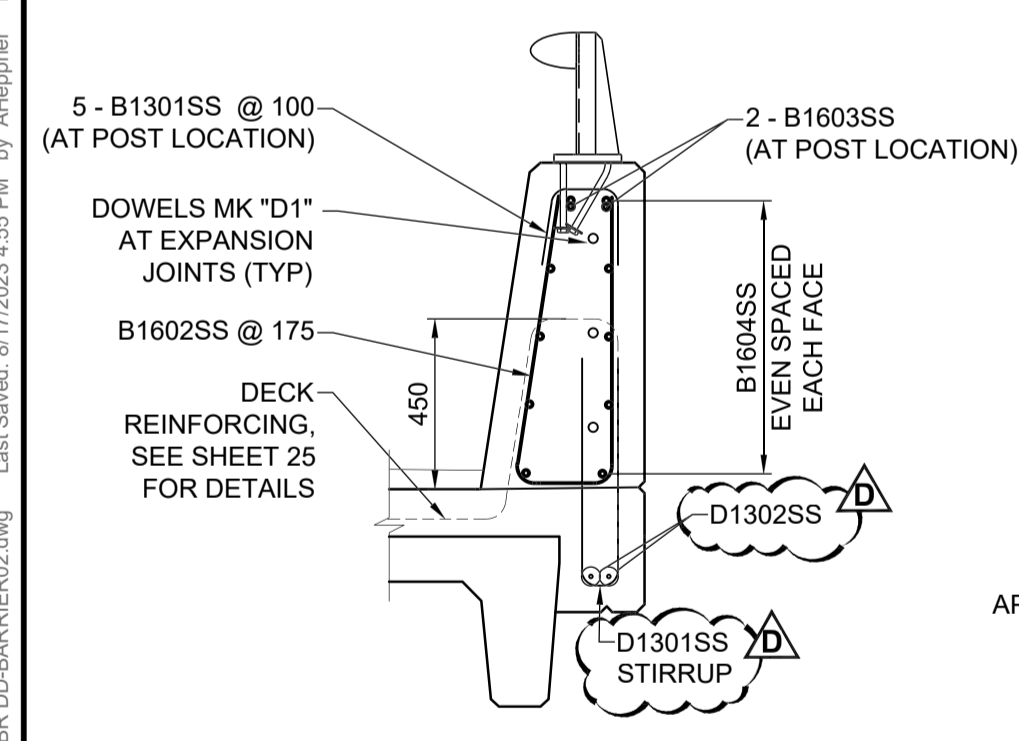
**PANEL REINFORCING LAYOUT TYPE "B"**  
SOUTH SPAN - EXTERIOR BARRIER  
SCALE 1:20



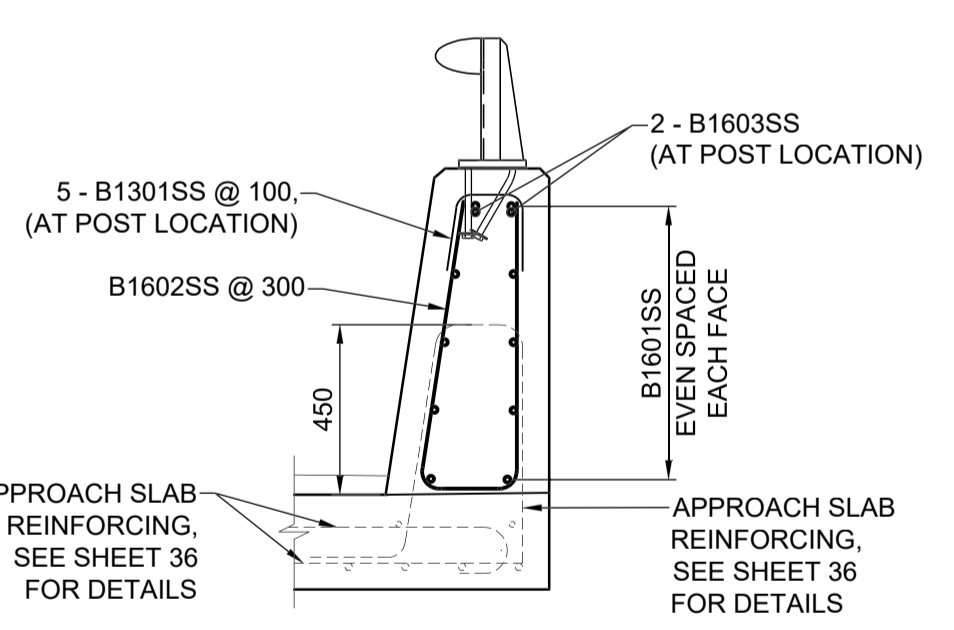
**PANEL REINFORCING LAYOUT TYPE "C"**  
MIDDLE SPAN - EXTERIOR BARRIER  
SCALE 1:20



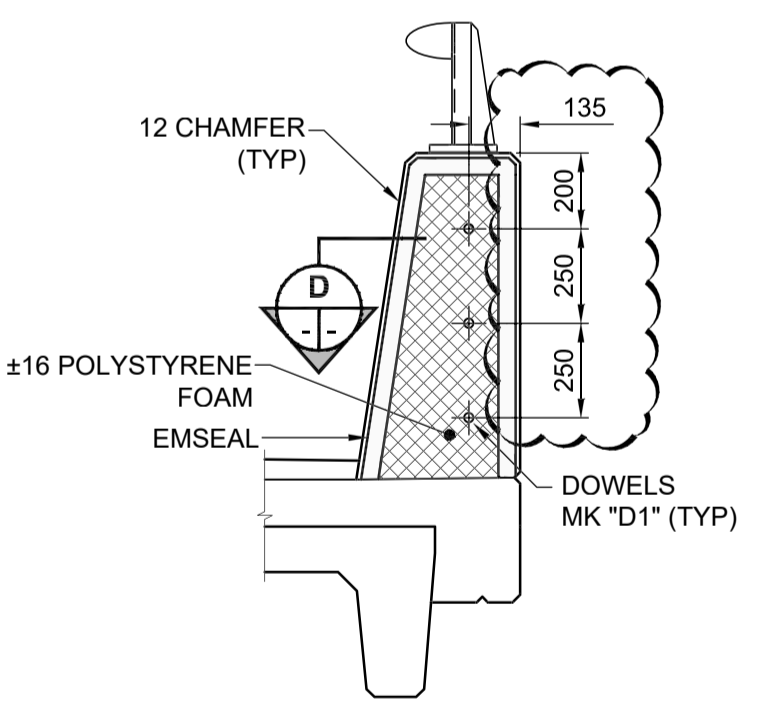
**PANEL REINFORCING LAYOUT TYPE "D"**  
NORTH SPAN - EXTERIOR BARRIER  
SCALE 1:20



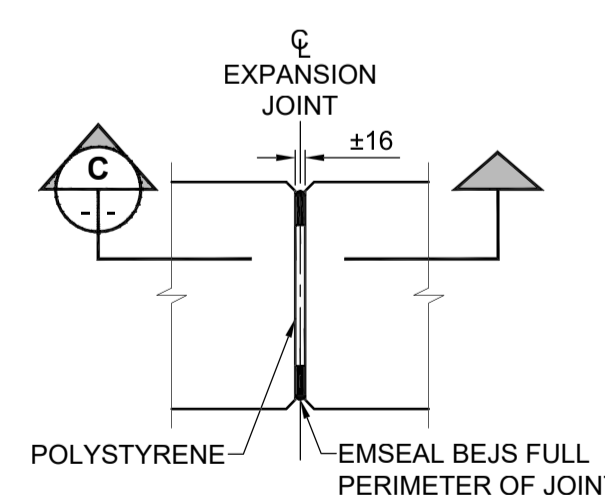
**SECTION A**  
SCALE: 1:20



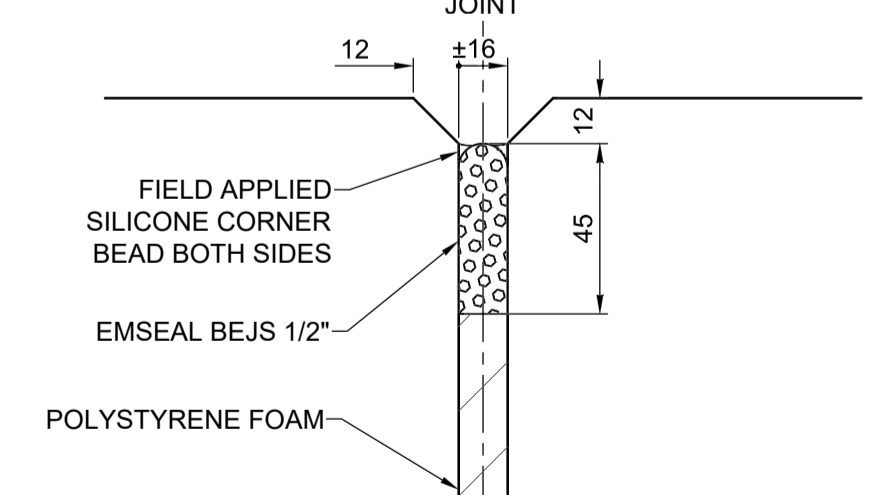
**SECTION B**  
SCALE: 1:20



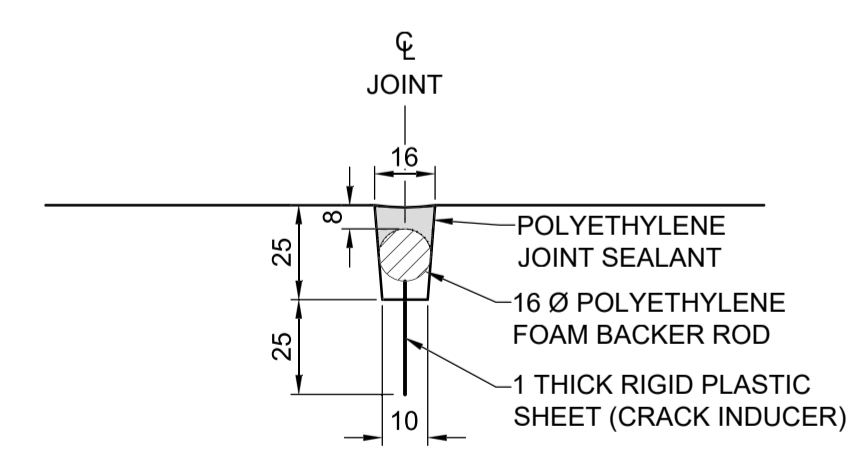
**EXPANSION JOINT DETAIL**  
SECTION VIEW  
SCALE 1:20



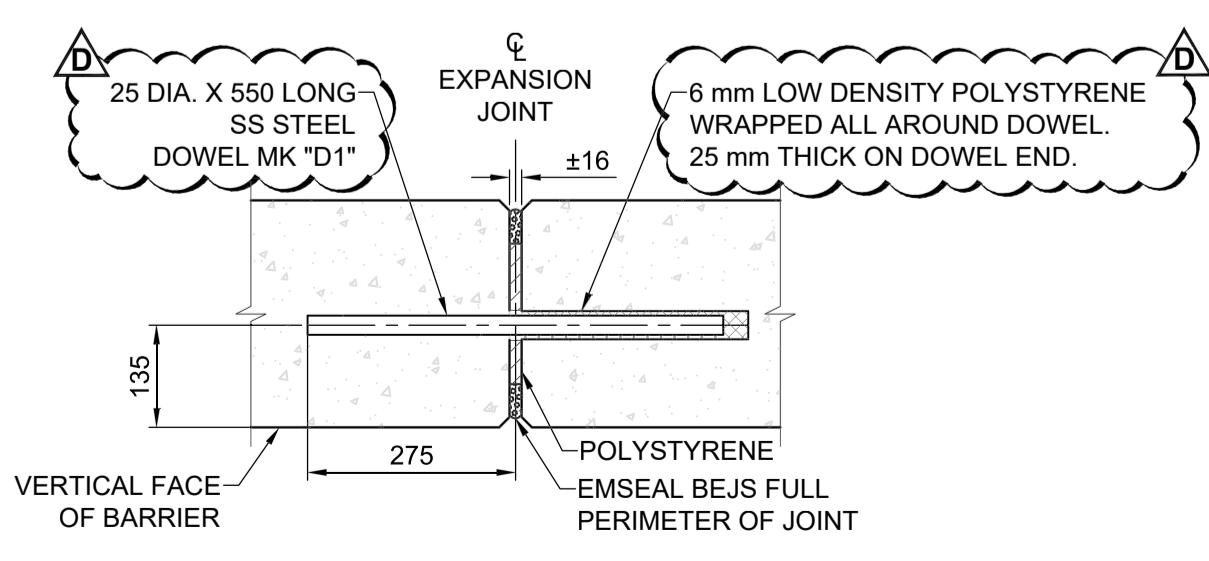
**EXPANSION JOINT SEAL DETAIL**  
TOP VIEW  
SCALE 1:10



**SECTION C**  
SCALE: 1:2



**CONTROL JOINT DETAIL**  
SCALE 1:2



**EXPANSION JOINT DOWEL DETAIL**  
TOP VIEW  
SCALE 1:10

- NOTES:  
1. LOCALLY SHIFT VERTICAL BARRIER BARS AS REQUIRED TO PROVIDE 50mm OF CLEARANCE TO CONTROL JOINTS.  
2. SEE SHEET 02 FOR STEEL DOWEL SCHEDULE.

LOCATION APPROVED UNDERGROUND STRUCTURES

BM 78-009	N.W. Cor. Paddington Rd. & Dakota St., 19 mm dia. x 6.1 m
ELEV 232.749 m	I.B. in Valve Box, 5.5 m S. of N.L. Paddington Rd. & on W.L. of Dakota St. in traffic island.

DATE: JUNE 27, 2023

NO.	REVISIONS	DATE	BY
D	ISSUED FOR ADDENDUM 1	23/08/23	BAP
C	ISSUED FOR TENDER	23/08/02	BAP
B	ISSUED FOR 95% REVIEW	23/06/27	BAP
A	ISSUED FOR 50% REVIEW	23/04/14	BAP



DESIGNED BY	ALP	CHECKED BY	AGG
DRAWN BY	AS	APPROVED BY	BAP
HOR SCALE	AS SHOWN	RELEASED FOR CONSTRUCTION	
VERT SCALE	AS SHOWN		
DATE	JUNE 27, 2023	DATE	

PROFESSIONAL'S SEAL  
CONSULTANT FILE NAME  
2203865-CBR DD-BARRIER02.dwg

**THE CITY OF WINNIPEG**  
PUBLIC WORKS DEPARTMENT  
ENGINEERING DIVISION

**CREEK BEND ROAD BRIDGE REPLACEMENT AND RELATED WORKS**

EXTERIOR BARRIER REINFORCING

CITY DRAWING NUMBER: B149-23-28  
SHEET 28 OF 52  
DRAWING NUMBER: 28

ENGINEERS GEOSCIENTISTS MANITOBA  
Certificate of Authorization MORRISON HERSHFELD No. 1736  
TENDER No. 335-2023