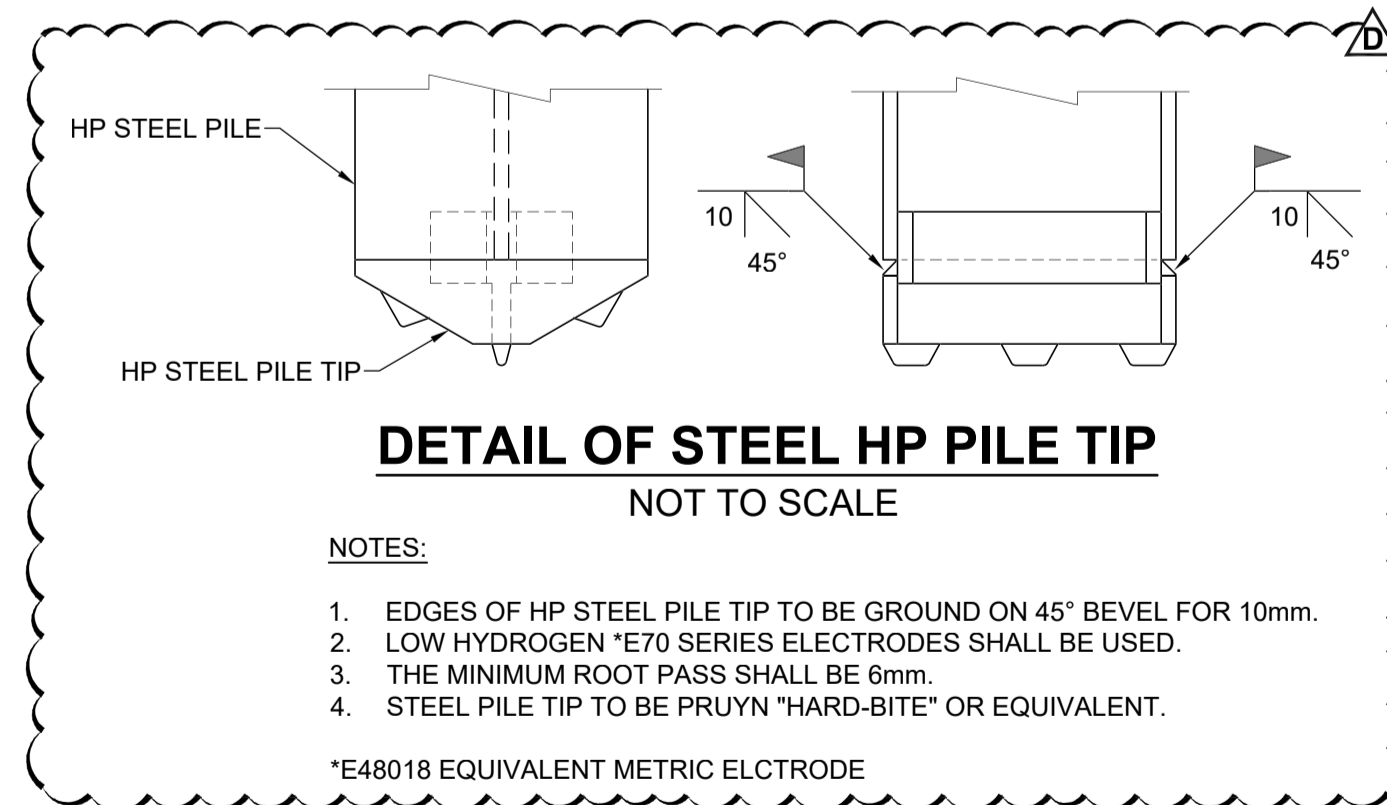
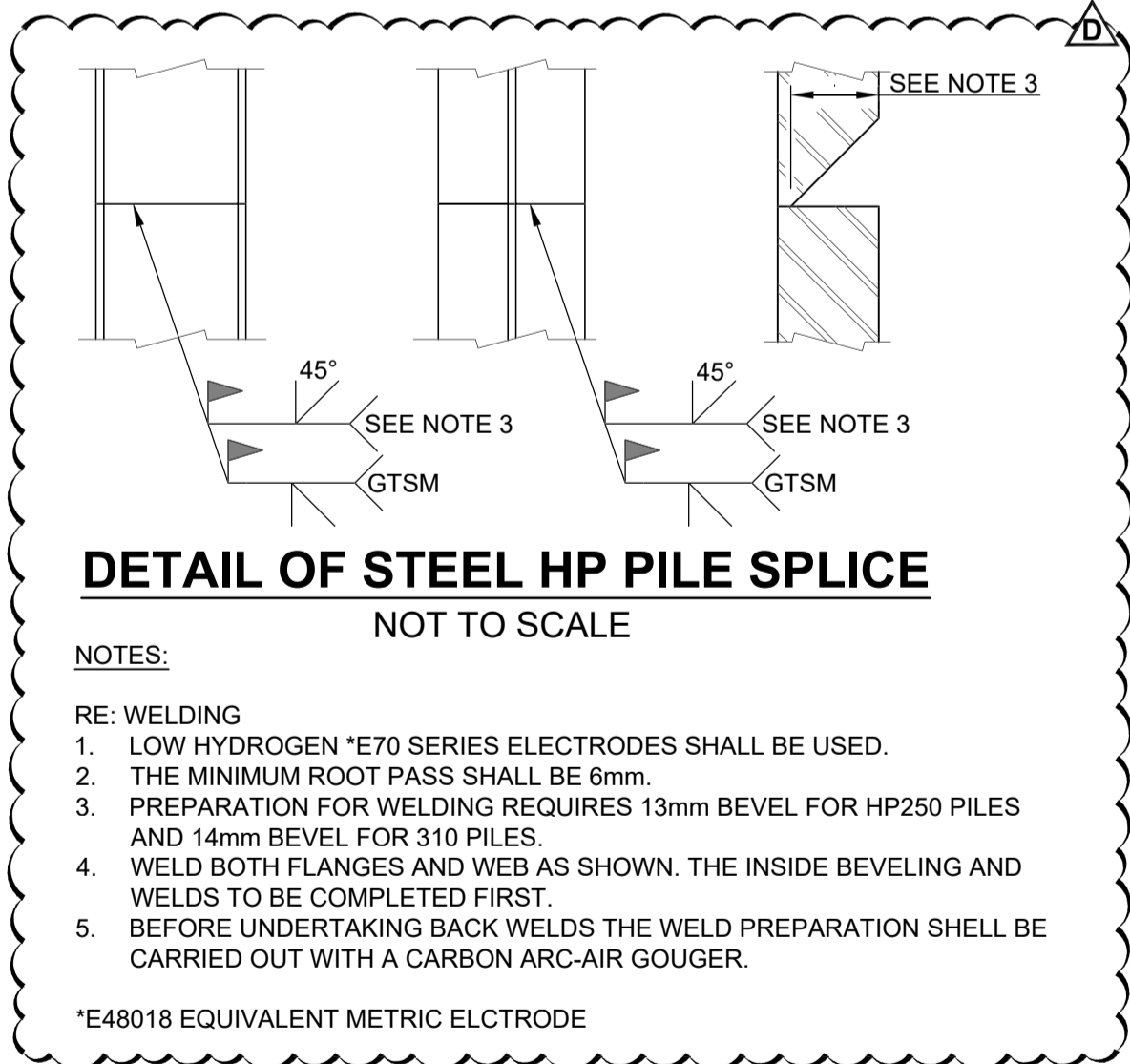


PLAN VIEW
SCALE: 1:75



LOCATION APPROVED
UNDERGROUND STRUCTURES

NO.	REVISIONS	DATE	BY

BM 78-009 N.W. Cor. Paddington Rd. & Dakota St., 19 mm dia. x 6.1 m
ELEV 232.749 m I.B. in Valve Box, 5.5 m S. of N.L. Paddington Rd. & on W.L. of Dakota St. in traffic island.



DESIGNED BY	AGG	CHECKED BY	ALP
DRAWN BY	AS	APPROVED BY	BAP
HOR SCALE	AS SHOWN	RELEASED FOR CONSTRUCTION	
VERT SCALE	AS SHOWN		
DATE	JUNE 27, 2023	DATE	

PROFESSIONAL'S SEAL	
CONSULTANT FILE NAME	2203665-CBR-DD-FOUNDATION.dwg

ENGINEERS
GEOSCIENTISTS
MANITOBA
Certificate of Authorization
MORRISON HERSHFELD
No. 1736

TENDER No. 335-2023

THE CITY OF WINNIPEG
PUBLIC WORKS DEPARTMENT
ENGINEERING DIVISION

Winnipeg

**CREEK BEND ROAD BRIDGE REPLACEMENT
AND RELATED WORKS**

CITY DRAWING NUMBER
B149-23-08

SHEET OF
08 52

DRAWING NUMBER
08

FOUNDATION PLAN