

UNIT HEATER SCHEDULE					
TAG	SERVICE	HEATING CAPACITY	FLOW RATE	VOLTS/Ø	TYPE
UH-F65	MAIN FLOOR	10 kW	330 L/s (700 CFM)	575/3	STELPRO ASHU 1063
UH-F66	DRY WELL	10 kW	330 L/s (700 CFM)	575/3	STELPRO ASHU 1063

NOTES:  
1) UNIT HEATERS SUPPLIED WITH THERMOSTAT, SETPOINT 15°C ADJUSTABLE.

FIRE EXTINGUISHER SCHEDULE			
TAG	RATING/ WEIGHT	TYPE	NOTES
FEX-F61	2A, 5BC, 4.5 KG (10 LB)	DRY CHEMICAL	NEW

SUMP PUMP SCHEDULE				
TAG	SERVICE	POWER	VOLTS/Ø	TYPE
P-F05	SUMP PIT	1 HP	120/1	SUBMERSIBLE, MIN. 250 L/MIN. @ 8M HEAD

NOTES:  
1) PROVIDE BACKFLOW VALVES BEFORE DISCHARGE TO WET WELL.  
2) MOTOR TO INCLUDE AUTOMATIC THERMAL AND OVERLOAD PROTECTION.

DUCT HEATING SCHEDULE						
TAG	SERVICE	HEATING CAPACITY	FLOW RATE	VOLTS/Ø	CONTROL	TYPE
HCE-F63	SUPPLY DUCT	39 kW	560 L/s (1185 CFM)	575/3	0-10V	PRICE OF CF00V 610x230

NOTES:  
1) SUPPLY AIR TEMPERATURE SENSOR AT BOTTOM OF DUCT.  
2) SETPOINT 15°C ADJUSTABLE.  
3) INTEGRAL WITH AIR PROVING SWITCH

DAMPER SCHEDULE							
TAG	SERVICE	AIRFLOW	SIZE	FAIL POSITION	VOLTAGE	CONTROL SIGNAL	TYPE
FV-F601	OUTDOOR AIR	560 L/s (1185 CFM)	813x610 mm (32x24 in)	OPEN	24VAC	0-10V	TAMCO 9000 THERMALLY INSULATED DAMPER
FV-F602	RETURN AIR	560 L/s (1185 CFM)	813x610 mm (32x24 in)	CLOSED	24VAC	0-10V	TAMCO 1000 AIR-FOIL CONTROL DAMPER
FV-F603	EXHAUST AIR	560 L/s (1185 CFM)	1625x510 mm (64x20 in)	OPEN	24VAC	0-10V	TAMCO 9000 THERMALLY INSULATED DAMPER

NOTES:  
1) DAMPERS CONTROLLED WITH BELIMO NFBUP-S ELECTRIC ACTUATORS, 24VAC, 0-10V, 90 IN-LB.  
2) DAMPER POSITION CONTROLLED BY OCCUPANCY SWITCH, UNOCCUPIED: OA & EA DAMPERS 25% OPEN, RA DAMPER 75% OPEN. OCCUPIED: OA & EA DAMPERS 100% OPEN, RA DAMPER 0% OPEN.

DIFFUSER SCHEDULE				
TAG	SERVICE	AIRFLOW	SIZE	TYPE
GRD-F641	MAIN FLOOR	1100 L/s (2330 CFM)	864x356 mm (34x14 in)	PRICE 34X14 520D/F/S/A/B12
GRD-F642	MAIN FLOOR	1100 L/s (2330 CFM)	864x356 mm (34x14 in)	PRICE 34X14 520D/F/S/A/B12

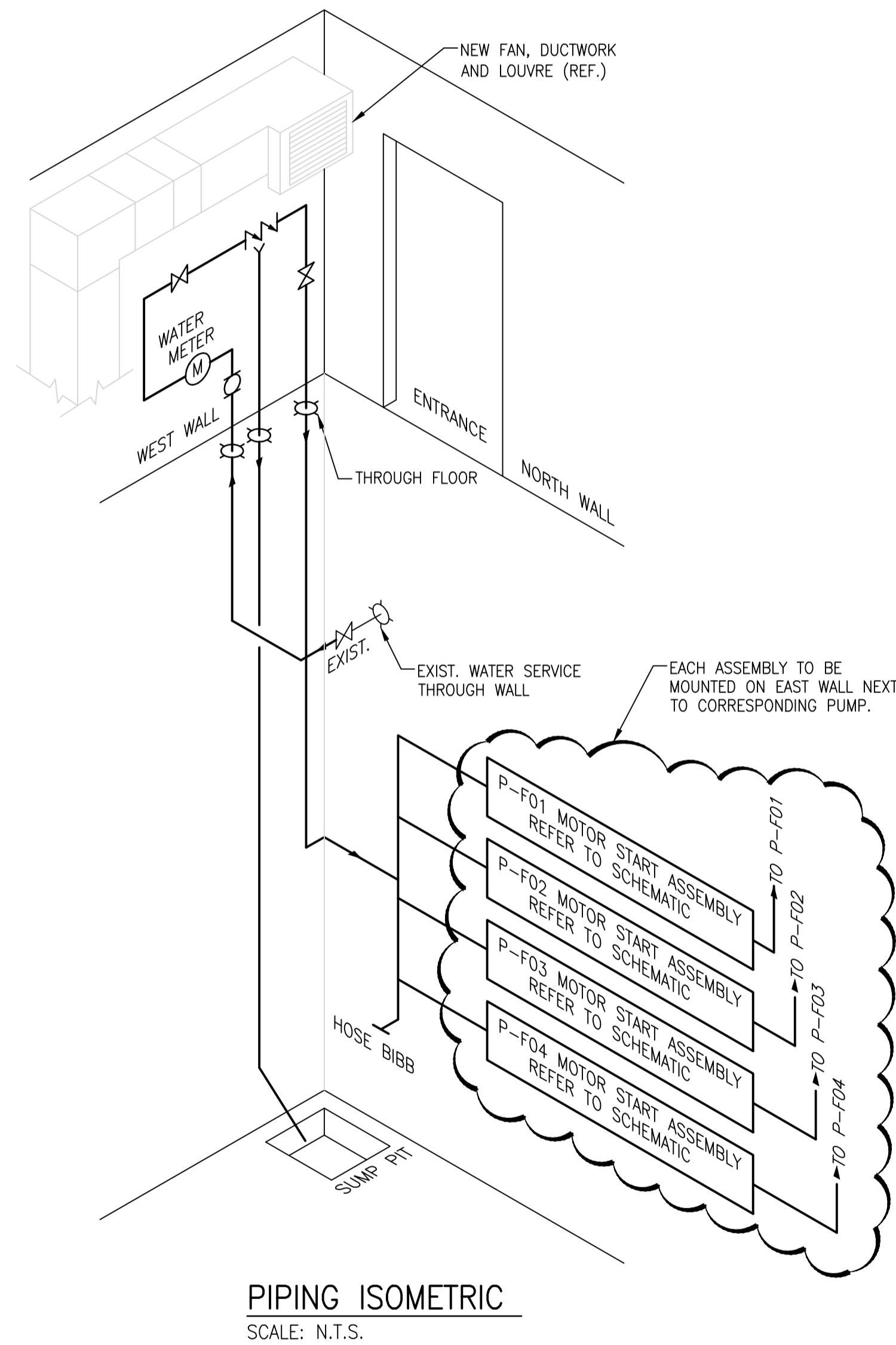
NOTES:  
1) ADJUST BLADES TO DISTRIBUTE AIR TOWARDS MOTORS

COOLING EQUIPMENT SCHEDULE					
TAG	SERVICE	COOLING CAPACITY	FLOW RATE	VOLTS/Ø	TYPE
AC-F64	MAIN FLOOR	44 kW (12.5 TON)	2195 L/s (4650 CFM)	575/3	BOARD W150APQ0ZEPXX3X W/LC6000

NOTES:  
1) COOLING SETPOINT 20°C, ADJUSTABLE  
2) C/W RG-10W RETURN GRILLE

SUPPLY FAN SCHEDULE				
TAG	SERVICE	FLOW RATE	VOLTS/Ø	TYPE
SF-F62	DRY WELL	560 L/s (1185 CFM)	575/3	GREENHECK SQ-130

NOTES:  
1) C/W WITH MATCHING AAF SUREPLEAT SIDE ACCESS FILTER HOUSING AND PERFECTPLEAT 100mm (4") HC M8 FILTERS

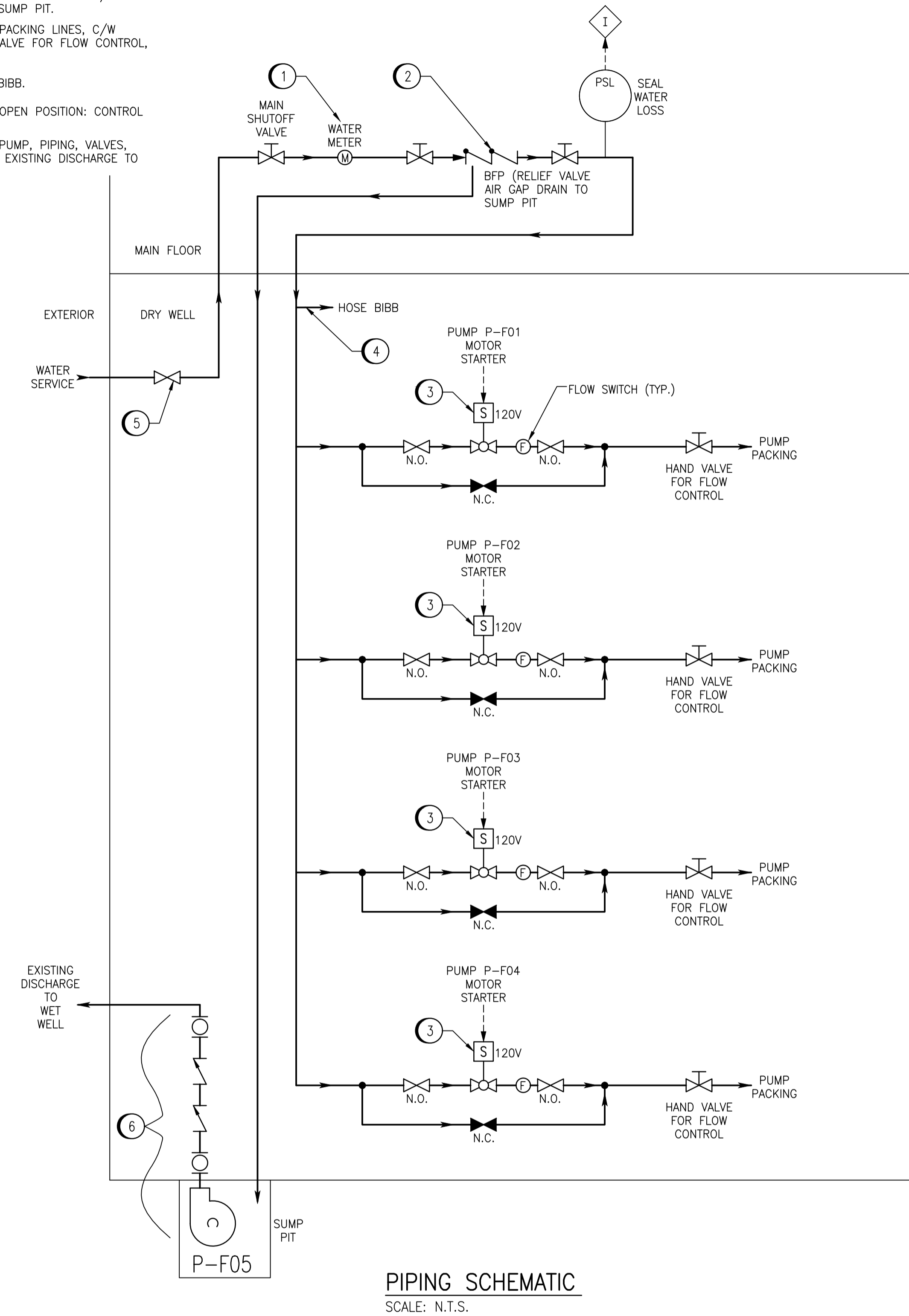


**CONSTRUCTION NOTES:**

- INSTALL NEW WATER METER (SUPPLIED BY CLIENT) AND MAIN SHUTOFF VALVE.
- SUPPLY AND INSTALL NEW BACKFLOW PREVENTER C/W RELIEF VALVE AIR GAP DRAIN TO SUMP PIT.
- SUPPLY AND INSTALL NEW PUMP PACKING LINES, C/W VALVES, SOLENOID VALVE, HAND VALVE FOR FLOW CONTROL, FLOW SWITCH.
- SUPPLY AND INSTALL NEW HOSE BIBB.
- EXISTING SHUTOFF TO REMAIN IN OPEN POSITION: CONTROL STEM TO REMAIN.
- SUPPLY AND INSTALL NEW SUMP PUMP, PIPING, VALVES, AND CHECK VALVES, CONNECT TO EXISTING DISCHARGE TO WET WELL.

**GENERAL NOTES**

- COORDINATE WITH DIVISION 26 WHERE EQUIPMENT THAT REQUIRES NEW ELECTRICAL IS INSTALLED.
- ALL EQUIPMENT, DEVICES AND CABLING ARE NEW.



1-0118F-M0002	MECHANICAL PLAN LAYOUT, MAIN FLOOR AND EXTERIOR, NEW WORK
1-0118F-P0001	PROCESS AND INSTRUMENTATION DIAGRAM HVAC SYSTEM
DRAWING NUMBER	REFERENCE DRAWINGS



NO.	REVISIONS	DATE	DESIGN	CHECK
01	ISSUED FOR ADDENDUM 01	2023-03-27	NL	BC
00	ISSUED FOR CONSTRUCTION, TENDER 167-2023	2023-03-02	NL	BC

		SNC-LAVALIN INC. 148 Nature Park Way Winnipeg, MB, Canada R3P 0X7 204-796-8080		ENGINEER'S SEAL
DESIGNED BY: N. LEE	CHECKED BY: S. NORSWORTHY	DRAWN BY: D. CALVERLEY	APPROVED BY: B. CLEVEN	
SCALE: AS NOTED	ISSUED FOR CONSTRUCTION By: K. ZUREK	DATE: 2022/08/17	DATE: 2023/02/17	
CONSULTANT NO.:				

THE CITY OF WINNIPEG WATER AND WASTE DEPARTMENT			
BANNATYNE FLOOD PUMPING STATION 2023 UPGRADES MECHANICAL SCHEDULES NEW WORK			
CITY DRAWING NUMBER	SHEET	REV.	SIZE
1-0118F-M0003	001	01	A1