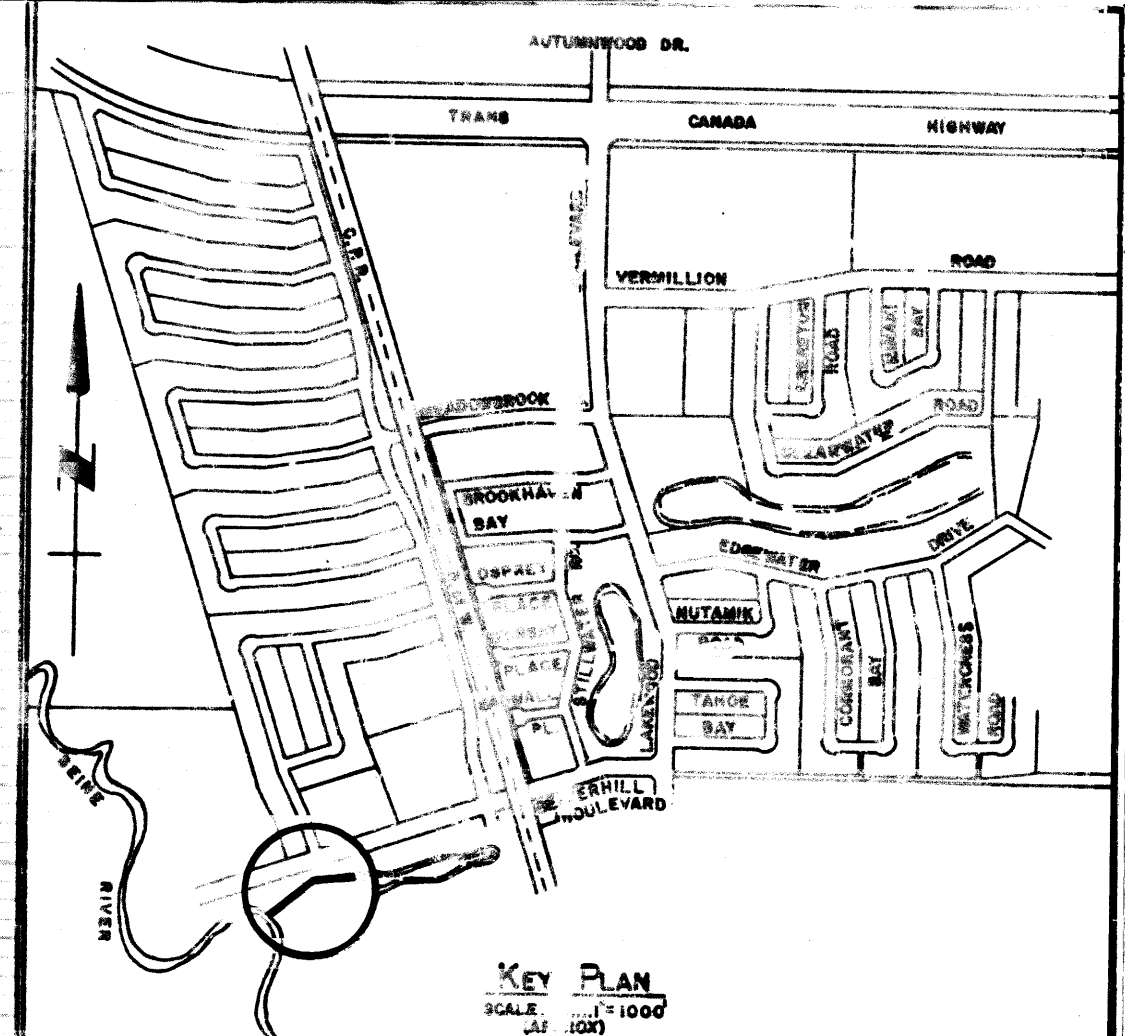
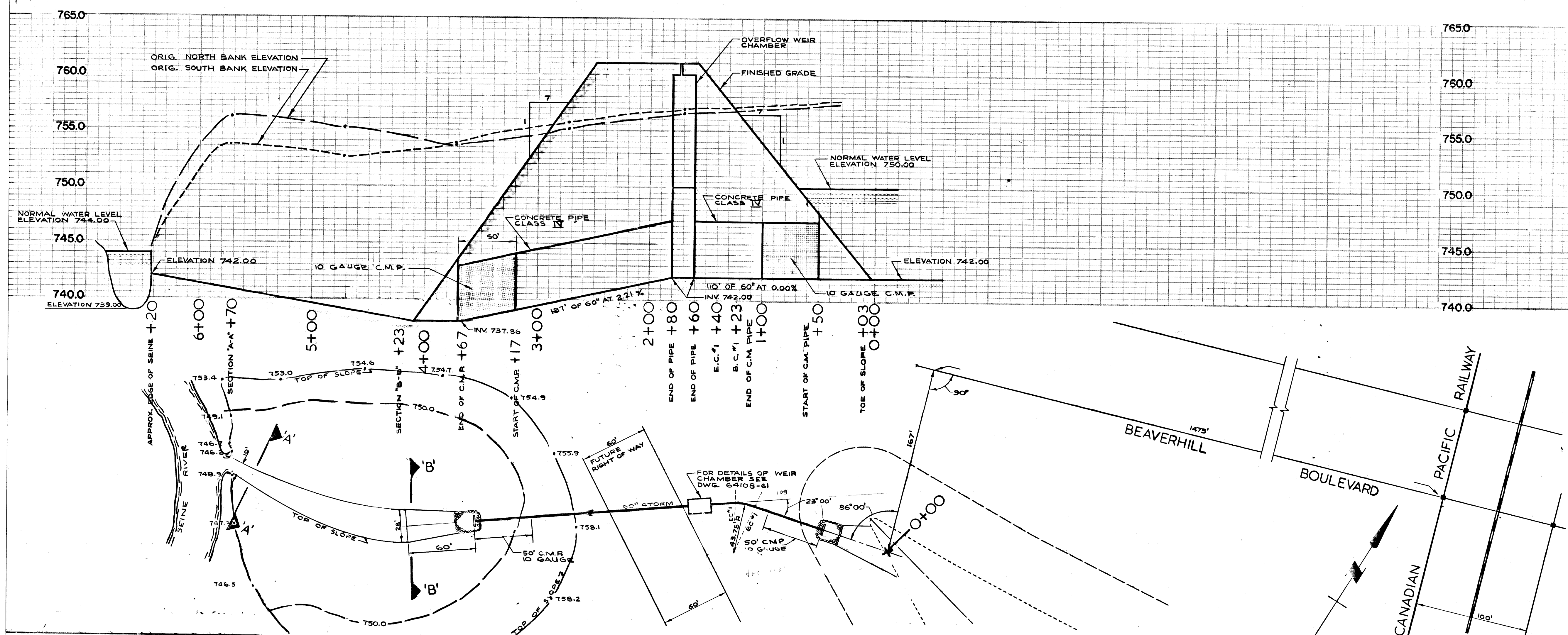
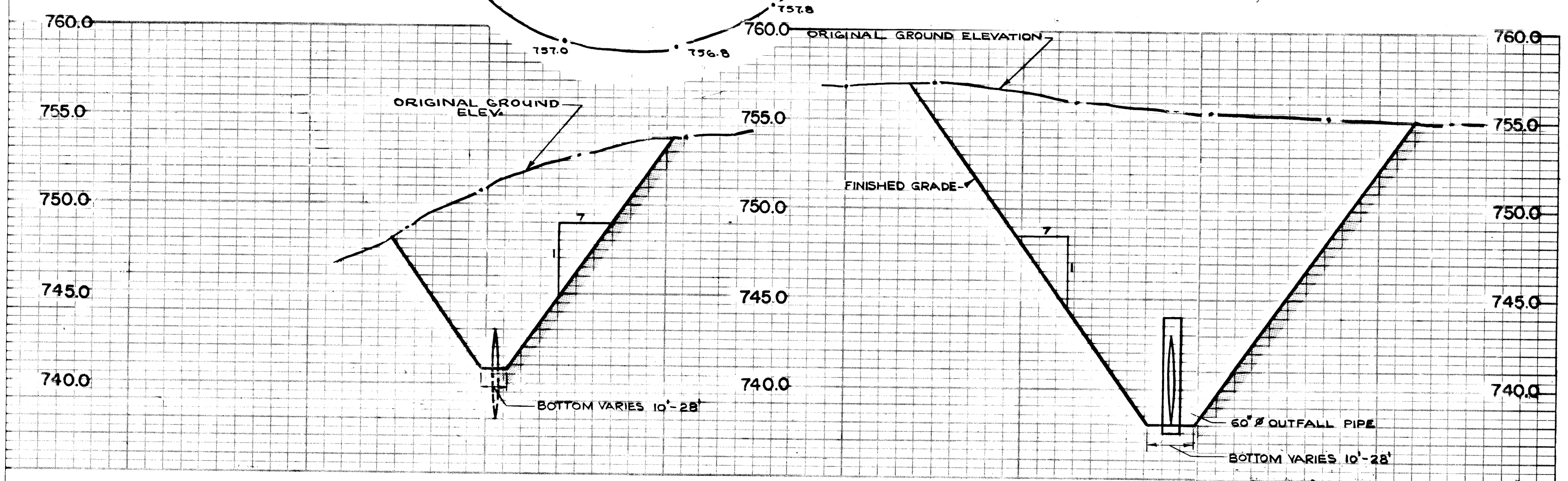


APPENDIX A
PUMP STATION AND CHAMBER RECORD DRAWINGS



- NOTES:**
1. ALL C.M.P. OUTFALL PIPES BACKFILLED WITH COMPACTED CLAY.
 2. ALL CHAINAGE TO $\frac{1}{2}$ OF PIPE.
 3. RUBBER GASKETS WERE USED ON ALL CONCRETE STORM SEWERS BELOW INVERT ELEVATION 750.00.
 4. RIP RAP WAS LEAN MIX CONCRETE (SAND PLUS THREE BAGS OF CEMENT PER CU. YD.) PLACED DRY IN BURLAP BAGS AND WATERED DOWN AFTER PLACEMENT.
 5. ALL C.M. PIPES WERE ASPHALT COATED ASBESTOS BONDED, DOUBLE DIPPED GALVANIZED STEEL PIPE.



SECTION "A-A"
 HORIZ. - 1" = 50'
 VERT. - 1" = 5'

SECTION "B-B"
 HORIZ. - 1" = 50'
 VERT. - 1" = 5'

AS - BUILT		
DATE	FB. NO.	PAGE
DEC/65	351	26

F. M. Hewitt
 F. M. HEWITT
 REGISTERED ENGINEER
 PROVINCE OF MANITOBA

NO.	DESCRIPTION	DATE	BY
REVISIONS			

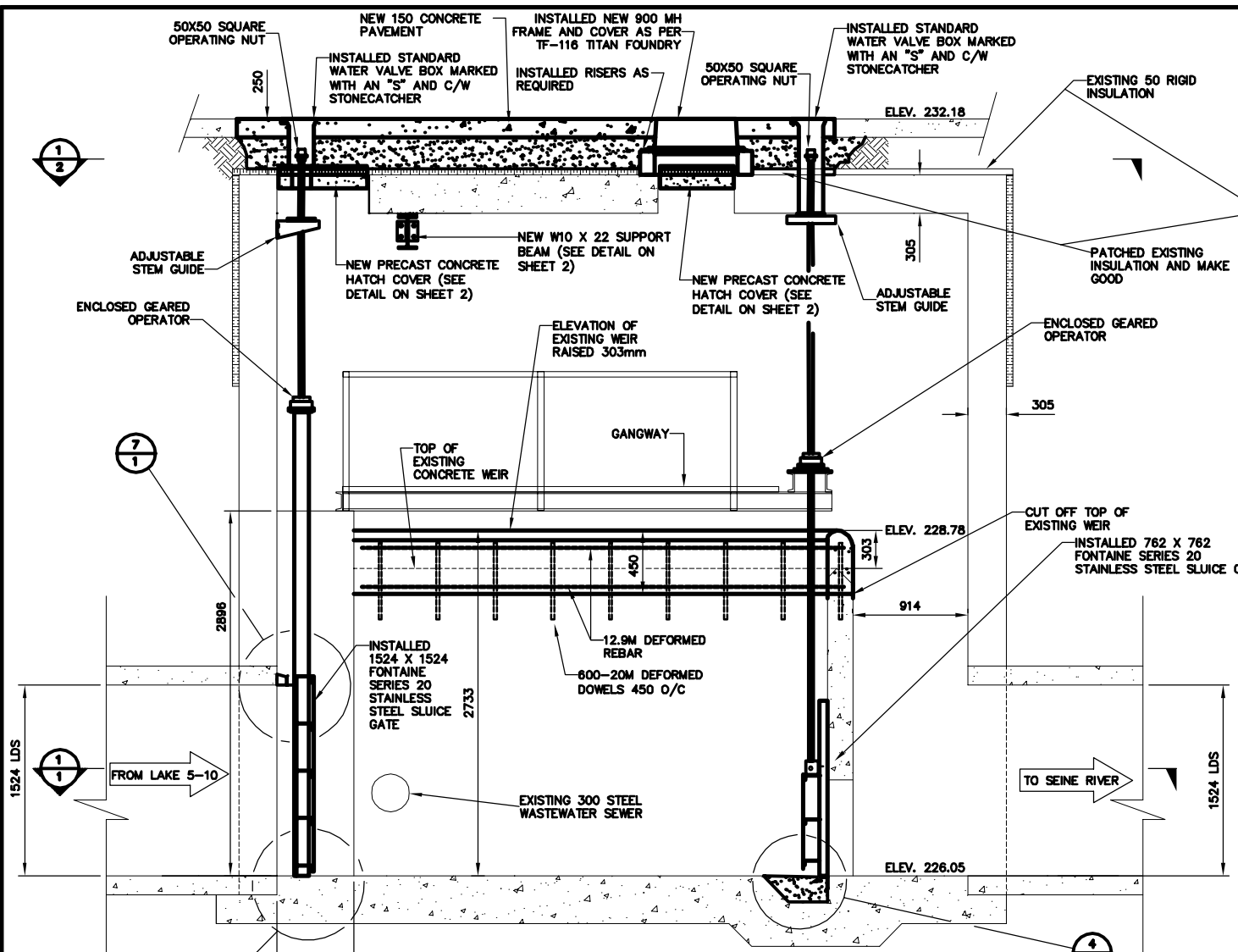
CITY OF ST. BONIFACE
 W. L. WARDROP & ASSOCIATES LTD.
 ENGINEERING CONSULTANTS
 WINNIPEG CANADA PORT ARTHUR

STORM SEWER OUTFALL & DETAILS
BETWEEN BEAVERHILL CREEK & SEINE RIVER
LAKE 5-10

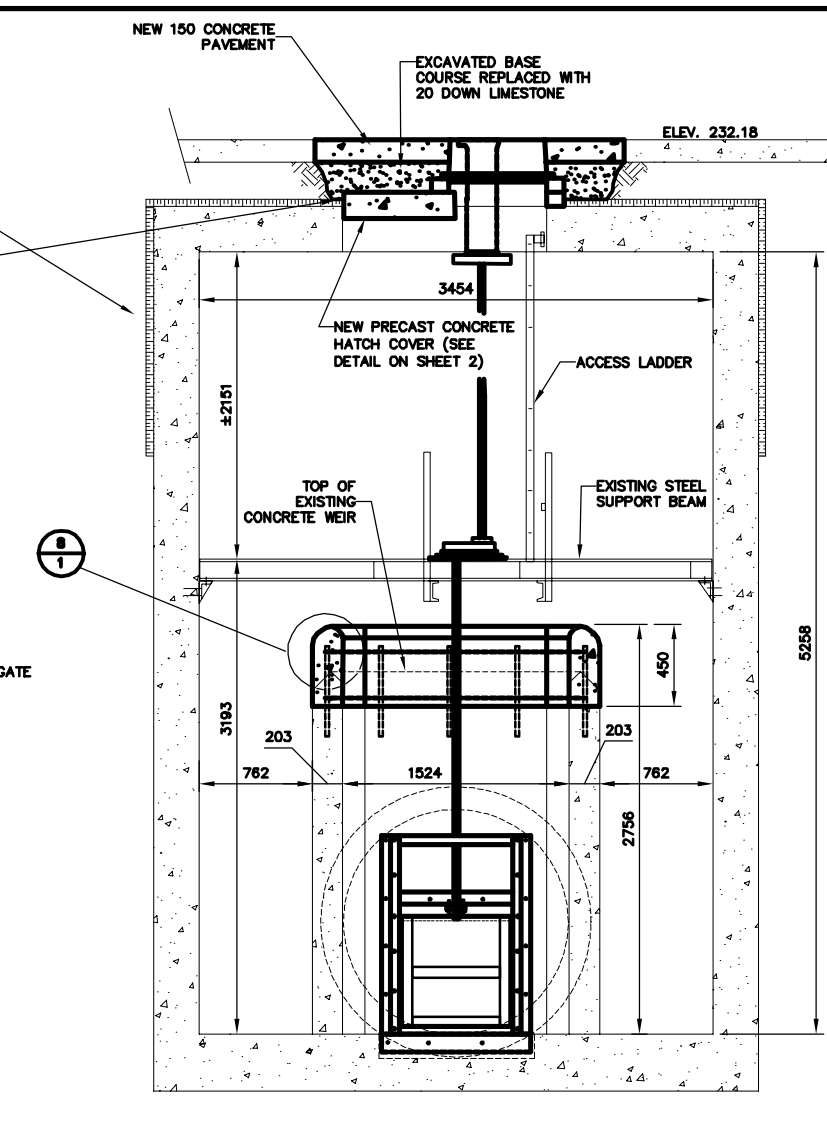
SCALE: HORIZ. 1" = 50' VERT. 1" = 5'
 DESIGNED BY: F. M. H.
 DRAWN BY: R. G. C.
 CHECKED BY: *F. M. Hewitt*

APPROVED BY: *F. M. Hewitt*
 DATE: MAY 1965
 PROJECT NO. 64108
 DRAWING NO. 64108-66

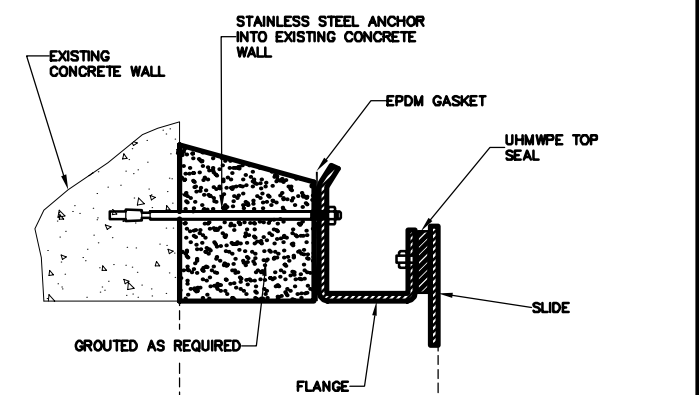
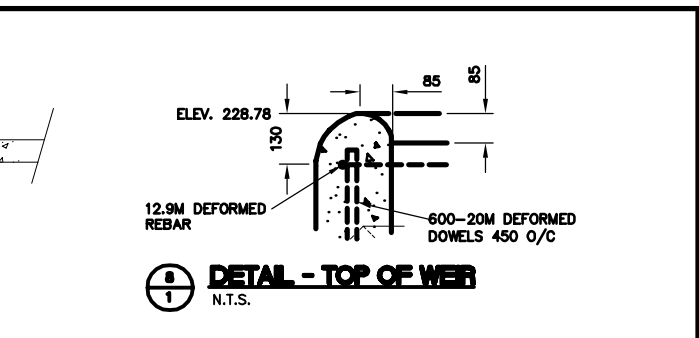
HF-00112



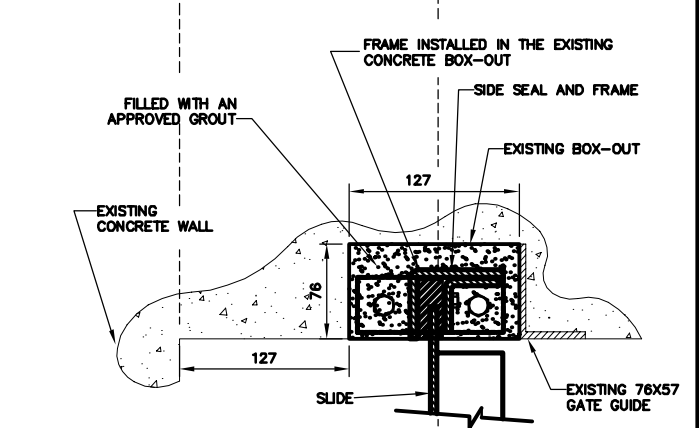
SECTION OF EXISTING WEIR CHAMBER INTERIOR
SCALE: 1:25



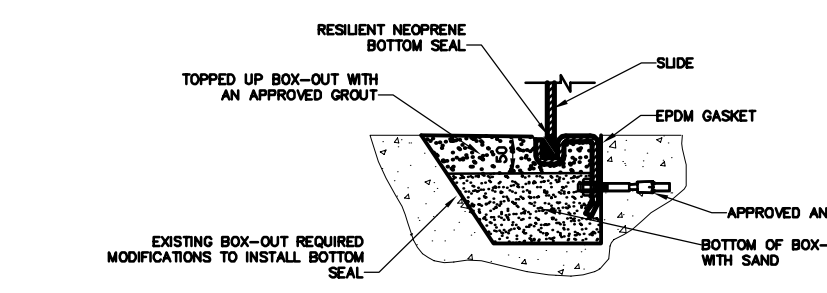
SECTION - 762 X 762 SLUICE GATE
SCALE 1:25



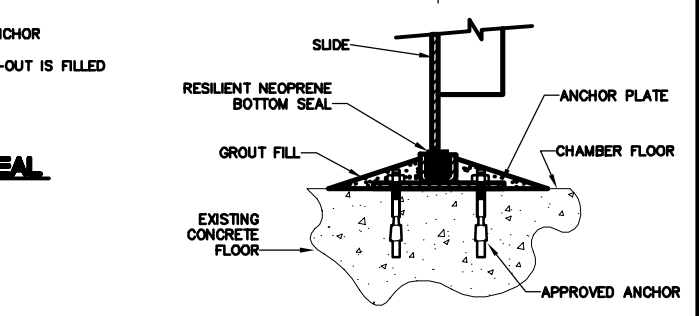
DETAIL - 1524 X 1524 SLUICE GATE TOP SEAL
N.T.S.



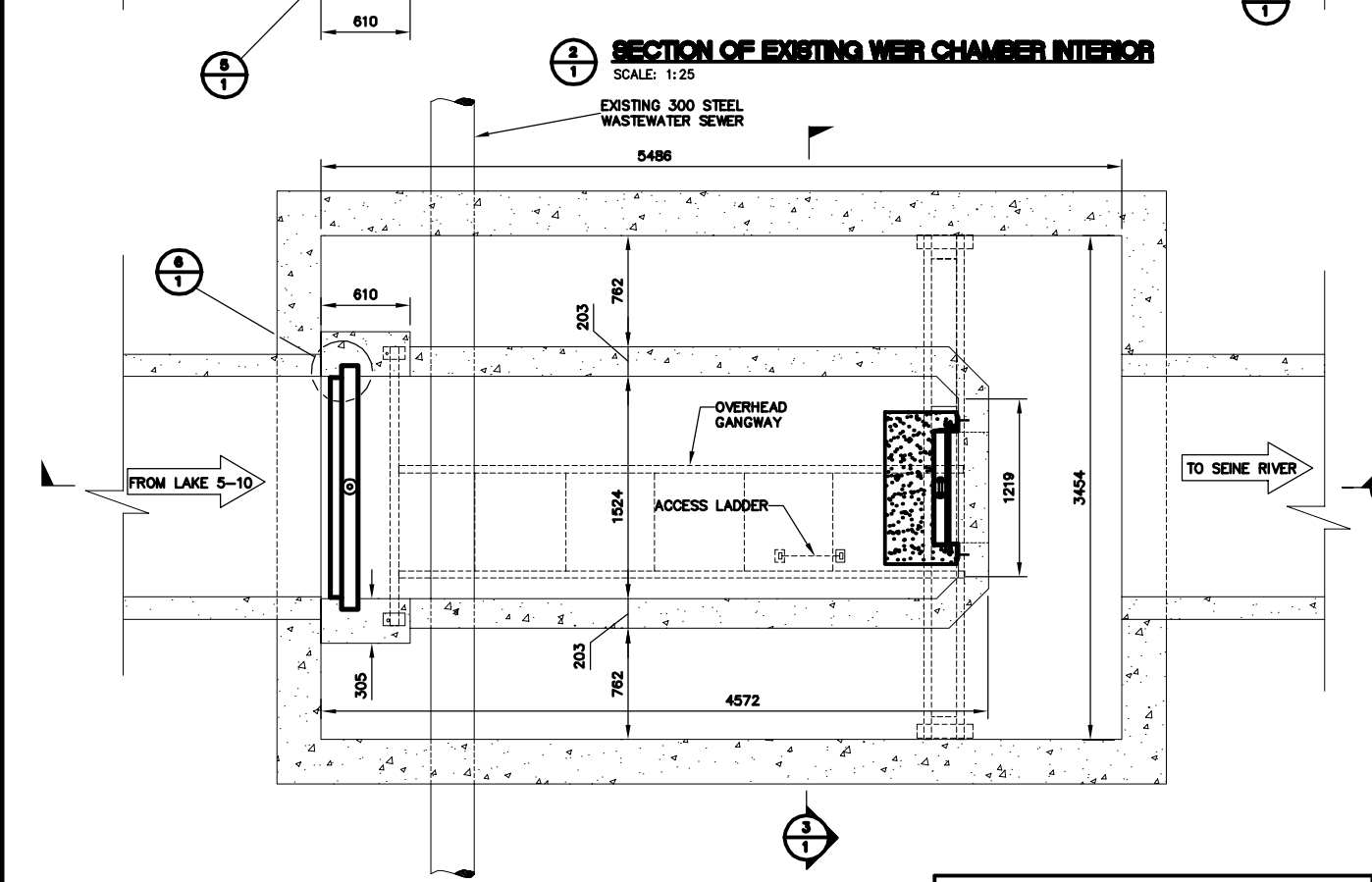
DETAIL - 1524 X 1524 SLUICE GATE SIDE SEAL
N.T.S.



DETAIL - 762 X 762 SLUICE GATE BOTTOM SEAL
N.T.S.



DETAIL - 1524 BOTTOM SEAL
N.T.S.



PLAN OF EXISTING WEIR CHAMBER INTERIOR
SCALE: 1:25

RECORD DRAWING
WATER AND WASTE DEPARTMENT

METRIC
WHOLE NUMBERS INDICATE MILLIMETRES
DECIMALIZED NUMBERS INDICATE METRES

CONTRACTOR: GATEWAY CONSTRUCTION
PROJECT COMPLETION DATE: 2002 03 08

B.M. ELEV.	FIELD BOOK #:		
POSTED TO LIS			
2. REVISED TO RECORD DRAWING	07/01/03	CJH	
1. 762 GATE AND MH MODIFICATIONS	12/01	NC	
NO. REVISIONS	DATE	BY	

CITY OF WINNIPEG WATER AND WASTE ENGINEERING DIVISION	
DESIGNED BY: NC	CHECKED BY: TW
DRAWN BY: NC	APPROVED BY:
HOR. SCALE: AS NOTED	RELEASED FOR CONSTRUCTION
VERTICAL	
DATE: NOV. 8, 2001	DATE:

ENGINEER'S SEAL
ORIGINAL MYLAR
SIGNED BY
K.R. ZUREK
07/01/15

THE CITY OF WINNIPEG
WATER AND WASTE DEPARTMENT

LAKE 5-10 WEIR CHAMBER UPGRADING
PLAN, SECTIONS AND PROFILE

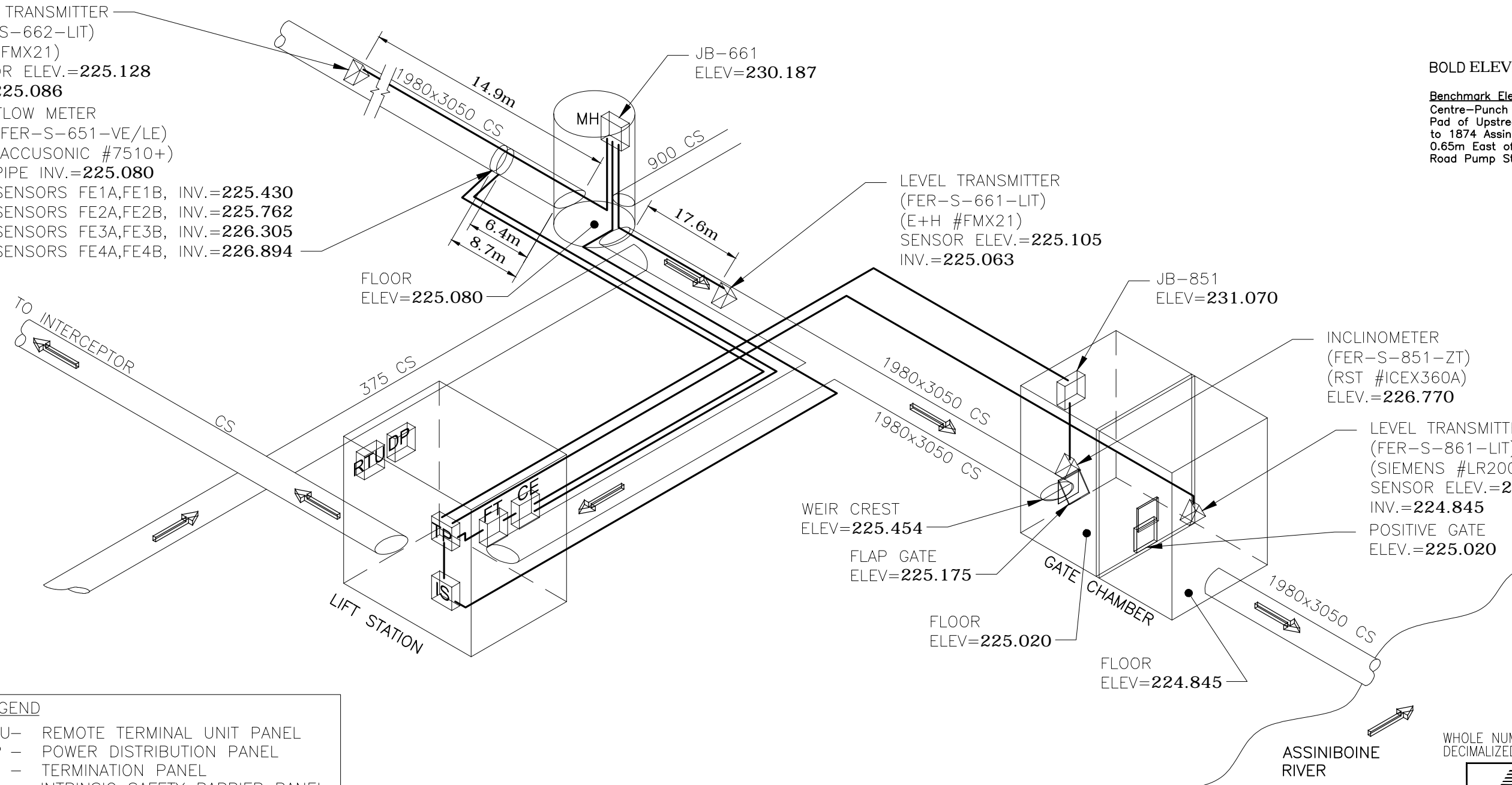
SHEET 1 OF 2
CITY DRAWING NUMBER
LD-2411

PLOT DATE: 2007 01 08

LEVEL TRANSMITTER
(FER-S-662-LIT)
(E+H#FMX21)
SENSOR ELEV.=225.128
INV.=225.086

FLOW METER
(FER-S-651-VE/LE)
(ACCUSONIC #7510+)
PIPE INV.=225.080
SENSORS FE1A,FE1B, INV.=225.430
SENSORS FE2A,FE2B, INV.=225.762
SENSORS FE3A,FE3B, INV.=226.305
SENSORS FE4A,FE4B, INV.=226.894

BOLD ELEVATIONS FROM STANTEC
Benchmark Elevation = 231.505
Centre-Punch w/cross-hairs on SW Concrete Pad of Upstream Gate Chamber - Adjacent to 1874 Assiniboine Av - 9.95m North & 0.65m East of Projected NW Corner of Ferry Road Pump Station



LEGEND

- RTU- REMOTE TERMINAL UNIT PANEL
- DP - POWER DISTRIBUTION PANEL
- TP - TERMINATION PANEL
- IS - INTRINSIC SAFETY BARRIER PANEL
- JB - JUNCTION BOX
- — INSTRUMENTATION CABLE
- FT - FLOW METER TRANSMITTER
- - FLOW METER SENSOR
- ▽ - LEVEL TRANSMITTER, INCLINOMETER

METRIC
WHOLE NUMBERS INDICATE MILLIMETRES
DECIMALIZED NUMBERS INDICATE METRES

Certificate of Authorization
Stantec Consulting Ltd.
No. 1301

CONSTRUCTION COMPLETION DATE - FEBRUARY 2013

LOCATION APPROVED UNDERGROUND STRUCTURES

SUPV. U/G STRUCTURES COMMITTEE	DATE

NOTE:
LOCATION OF UNDERGROUND STRUCTURES AS SHOWN ARE BASED ON THE BEST INFORMATION AVAILABLE BUT NO GUARANTEE IS GIVEN THAT ALL EXISTING UTILITIES ARE SHOWN OR THAT THE GIVEN LOCATIONS ARE EXACT. CONFIRMATION OF EXISTENCE AND EXACT LOCATION OF ALL SERVICES MUST BE OBTAINED FROM THE INDIVIDUAL UTILITIES BEFORE PROCEEDING WITH CONSTRUCTION.

B.M. ELEV.	NO.	REVISIONS	DATE	BY
	E	REVISED AS-BUILT DRAWING	13.07.24	S.T.
	D	AS-BUILT DRAWING	13.05.31	S.T.
	C	ISSUED FOR CLIENT REVIEW	13.04.15	J.C.
	B	ISSUED FOR CLIENT REVIEW	13.03.21	J.C.
	A	ISSUED FOR CLIENT REVIEW	12.07.13	J.C.

500-311 Portage Avenue, Winnipeg, Manitoba
Tel 204-489-5900 Fax 204-453-9012

DESIGNED BY	S.T.	CHECKED BY	J.C.
DRAWN BY	B.W.	APPROVED BY	J.C.
HOR. SCALE:	N.T.S.	RELEASED FOR CONSTRUCTION:	
VERTICAL:		DATE	

DATE 2012.06.06

ENGINEER'S SEAL

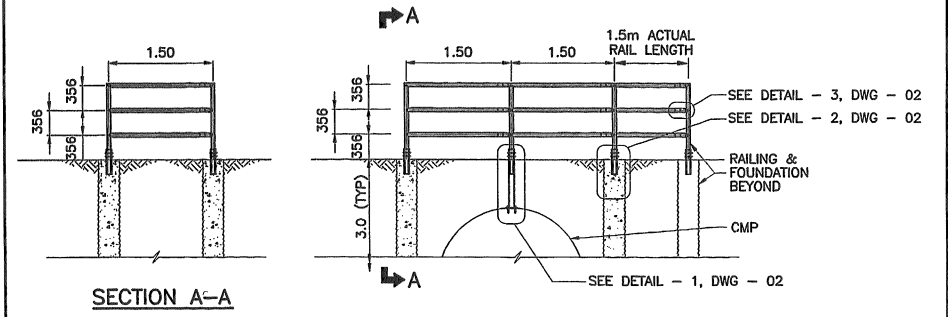
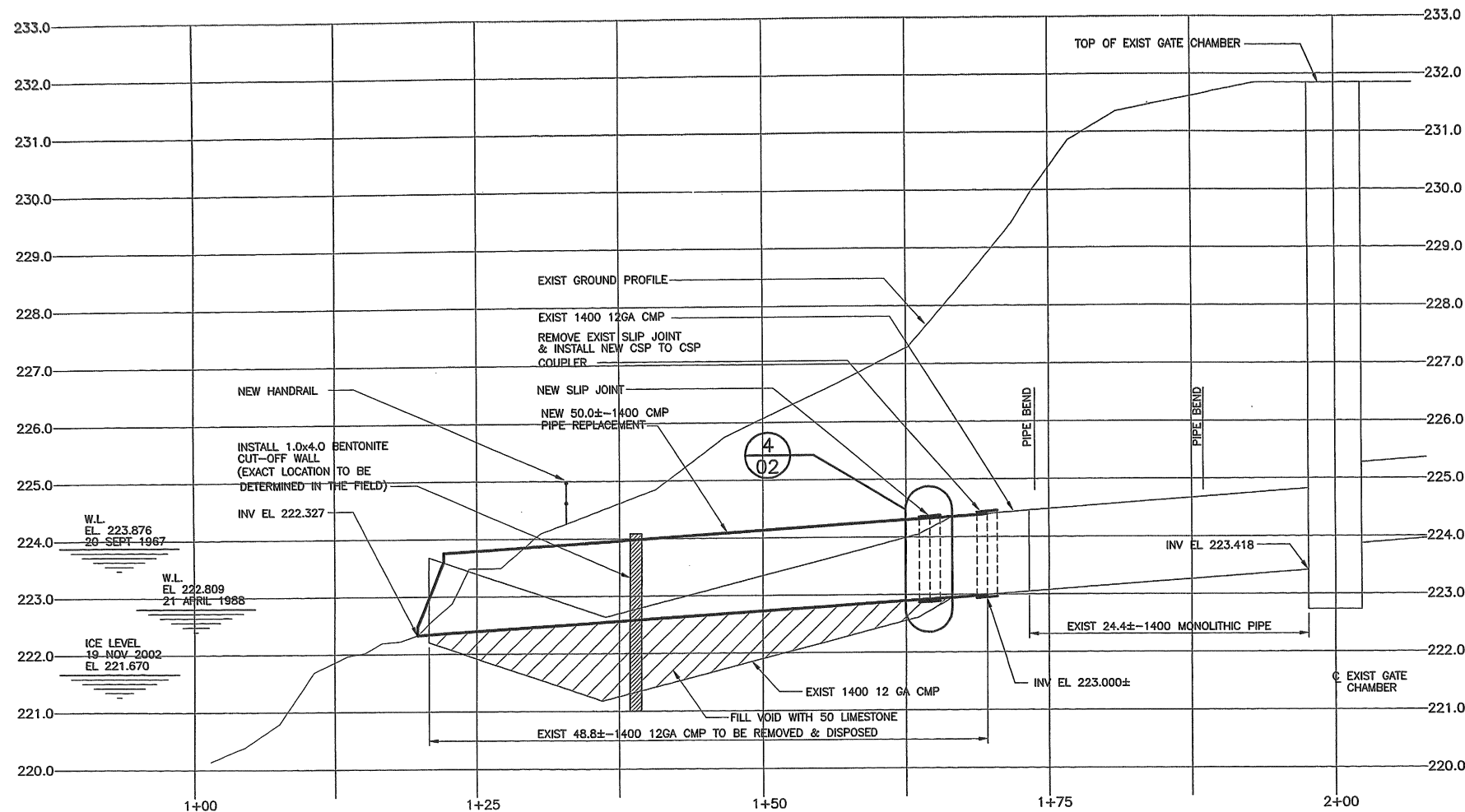
CONSULTANT DRAWING NO.
E-1801

THE CITY OF WINNIPEG
WATER AND WASTE DEPARTMENT

CSO OUTFALL MONITORING
FERRY ROAD
3D ISOMETRIC PLAN

SHEET	OF
1	2
CAD FILE DRAWING NUMBER I3650e-1801-fer.dwg	
CITY DRAWING NUMBER I-0141-A-A0202-001-00	

V:\1112\active\111213650_0300_drawing\305_record\sheet_files\electrical\Ferry Road\13650e-1801-fer.dwg 2015/08/18 11:22 AM By: Bekker, Kyle



SECTION A SCALE: 1:50

Note: ANY MISSING POINTS FOR EQUIPMENT OR MATERIAL TO PG KEPT CLEAN OF DEBRIS AT ALL TIMES SWEEP IF REQ'D IN ROAD

LEGEND

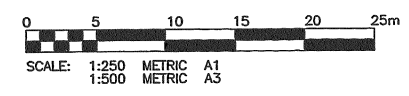
- ⊙ TREE
- TH1 ⊙ KGS GROUP TEST HOLE WITH INCLINOMETER
- TH2 ⊙ KGS GROUP TEST HOLE (FEBRUARY 2000)
- P1 ⊙ KGS GROUP PIEZOMETER (FEBRUARY 2000)
- ⊙ EXISTING SPOT ELEVATION (GEODETIC, m)

NOTE:

1. TOPOGRAPHIC MAP BASED ON KGS SURVEY PERFORMED MARCH 3, 2000.
2. NORTH DIRECTION IS APPROXIMATE.
3. RIVER BOTTOM SOUNDINGS BY KGS GROUP MAY 11, 2000.

REVIEWED FOR CONSTRUCTION

DEPARTMENT	DATE	INTLS.
UNDERGROUND STRUCTURES		
STREETS	Dec 11/02	
W.W.D.	Dec 11/02	



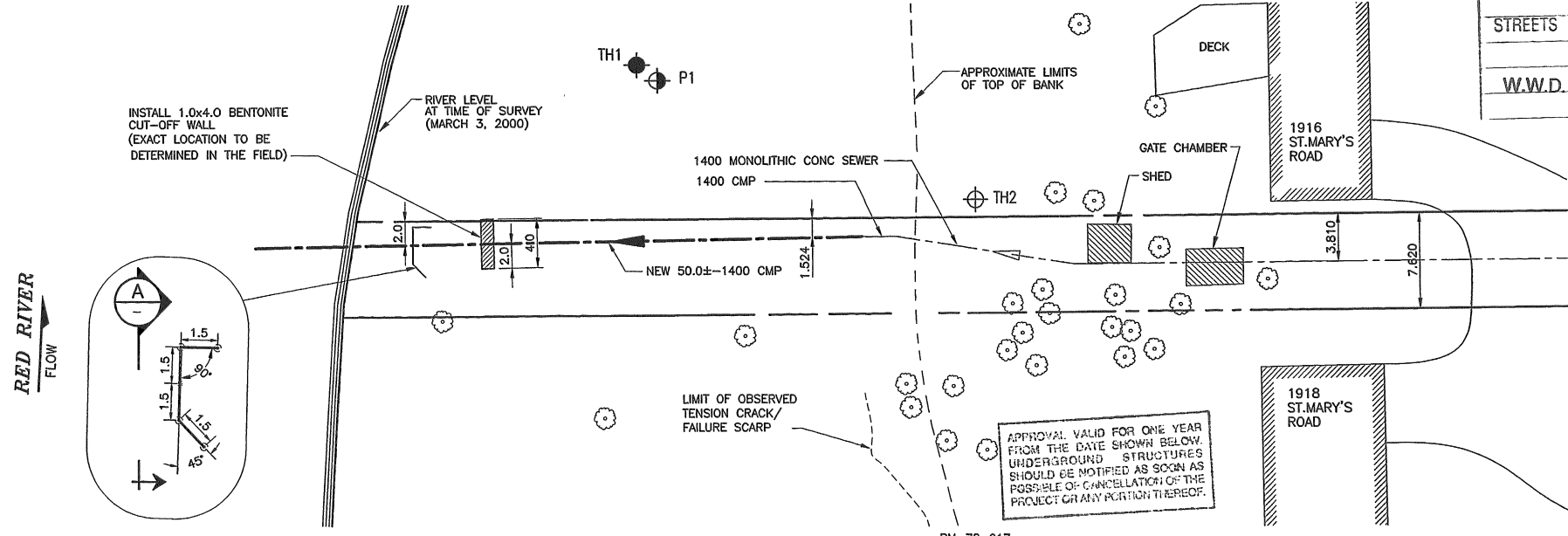
WARNING

IF POWER EQUIPMENT OR EXPLOSIVES ARE TO BE USED FOR EXCAVATION ON THIS PROJECT THE CONTRACTOR MUST:
 1) NOTIFY THE GAS COMPANY OF THE PROPOSED LOCATION OF EXCAVATION.
 2) TAKE PRECAUTION TO AVOID DAMAGE TO GAS COMPANY INSTALLATIONS.
 SEE PROVINCIAL REGULATION 210/72 FOR DETAILS.

METRIC

WHOLE NUMBERS INDICATE MILLIMETRES
 DECIMALIZED NUMBERS INDICATE METRES

APEGN
 Certificate of Authorization
 No. 245
 Expires April 30, 2003
 Signature: [Signature]
 Date: Dec 11/02



APPROVAL VALID FOR ONE YEAR FROM THE DATE SHOWN BELOW. UNDERGROUND STRUCTURES SHOULD BE NOTIFIED AS SOON AS POSSIBLE OF CANCELLATION OF THE PROJECT OR ANY PORTION THEREOF.

BM-78-017
 W. SIDE ST. MARY'S RD. S. OF BRITANNICA RD., TBLT. IN N. CONC. FOUNDATION NO. 1928
 ST. MARY'S RD., 3.8 m W. & 0.3m BELOW STUCCO OF N.E. COR. OF DWELLING.

EXISTING	LEGEND-PLAN	PROPOSED	EXISTING	LEGEND-PLAN	PROPOSED	EXISTING	LEGEND-PROFILE	PROPOSED
150 WM	WATERMAIN	150 WM	---	HYDRO	---			
⊕	HYDRANT	⊕	---	M.T.S.	---			
⊙	VALVE	⊙	---	PROPERTY LINE	---			
300 LBS	LAND DRAINAGE SEWER	300 LBS	---	SURVEY BAR	---			
250 WWS	WASTE WATER SEWER	250 WWS	---	LIGHT STANDARD	---			
⊙	MANHOLE	⊙	---	HYDRO POLE	---			
⊙	CATCH BASIN	⊙	---	GUY WIRE	---			
⊙	CURB INLET	⊙	---	SIGN	---			
⊙	JUNCTIONS	⊙	---	BUSH LINE	---			
⊙	CULVERT	⊙	---	FENCE	---			
⊙	GAS	⊙	---	ELEVATION	---			
			231.334					32.231

LOCATION APPROVED UNDERGROUND STRUCTURES
 R.J.H. J.R.H. J.R.H.
 SUPV./U/G STRUCTURES COMMITTEE
 DATE: [Signature]
 NOTE:
 LOCATION OF UNDERGROUND STRUCTURES AS SHOWN ARE BASED ON THE BEST INFORMATION AVAILABLE BUT NO GUARANTEE IS GIVEN THAT ALL EXISTING UTILITIES ARE SHOWN OR THAT THE GIVEN LOCATIONS ARE EXACT. CONFIRMATION OF EXISTENCE AND EXACT LOCATION OF ALL SERVICES MUST BE OBTAINED FROM THE INDIVIDUAL UTILITIES BEFORE PROCEEDING WITH CONSTRUCTION.

B.M. 78-017	ELEV. 232.416
ISSUED FOR TENDER	06/12/02 R.J.H.
ISSUED FOR REVIEW	02/12/02 R.J.H.
NO. REVISIONS	DATE BY

KGS GROUP
 CONSULTING ENGINEERS & PROJECT MANAGERS
 WINNIPEG (204) 896-1209
 THUNDER BAY (807) 345-2233

DESIGNED BY	R.J.H.	CHECKED BY	R.J.H.
DRAWN BY	D.W.	APPROVED BY	[Signature]
HOR. SCALE:	1:250	RELEASED FOR CONSTRUCTION	[Signature]
VERTICAL:	1:50	DATE	Dec 9/02

ENGINEER'S SEAL

THE CITY OF WINNIPEG
 WATER & WASTE DEPARTMENT
 Winnipeg

OUTFALL REPAIRS
ST. MARY'S ROAD OVERFLOW (RR-15)
 PLAN AND SECTION

SHEET	01	OF	09
CAD FILE DRAWING NUMBER	02-107-04_RG1-Rev0		
CITY DRAWING NUMBER	LD-2748		

CONSULTANT DRAWING NO. 02-107-04_RG1-Rev0