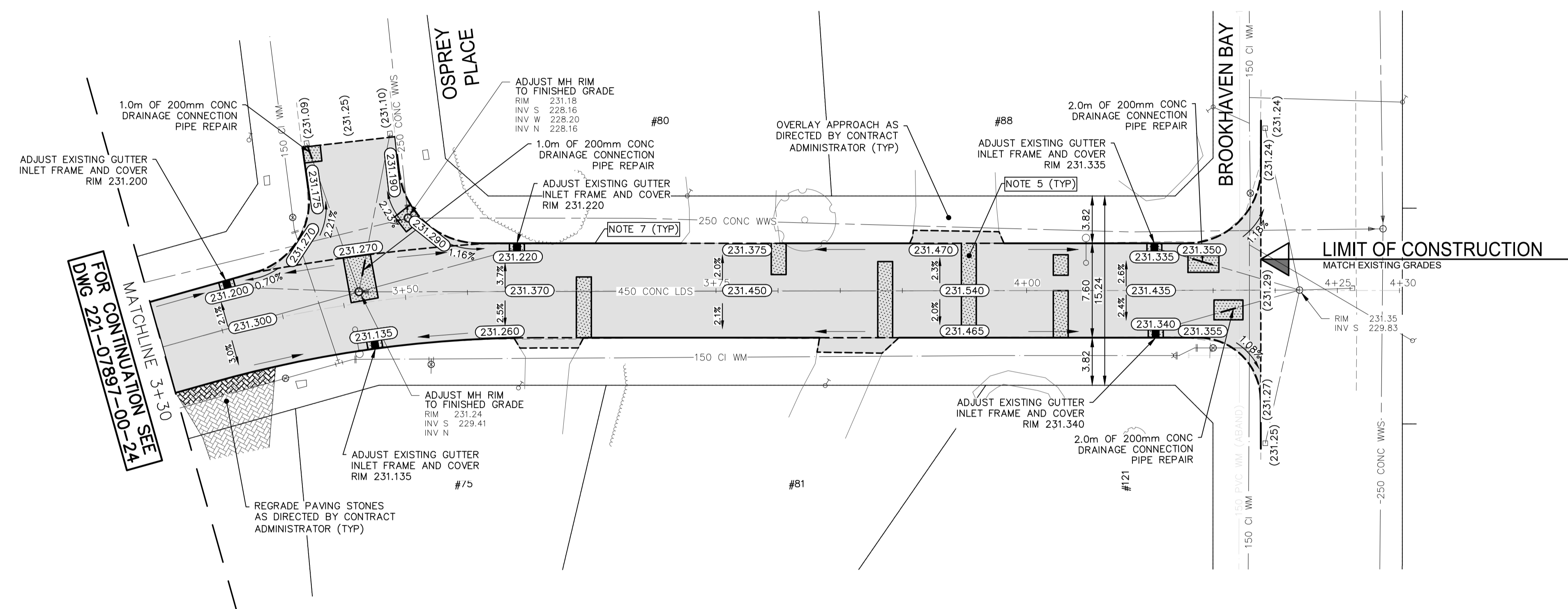
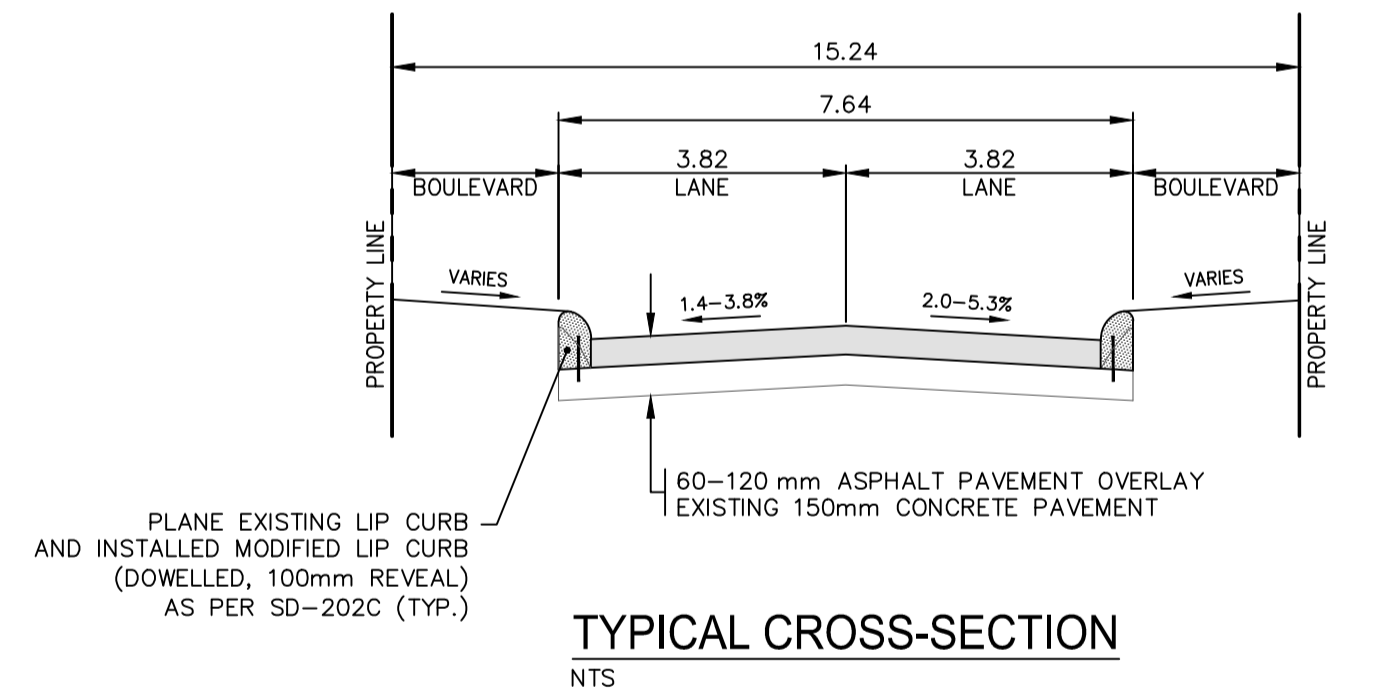


STILLWATER ROAD



- NOTES:
1. ALL WORK AND MATERIALS TO BE IN ACCORDANCE WITH THE LATEST REVISION OF THE CITY OF WINNIPEG STANDARD CONSTRUCTION SPECIFICATIONS.
 2. CONTRACTOR TO CONFIRM THE LOCATION OF ALL UTILITIES/SERVICES IN THE FIELD PRIOR TO CONSTRUCTION.
 3. ALL ROADWAY DIMENSIONS SHOWN ARE TO BACK OF CURB.
 4. EXISTING ASPHALT TO BE PLANED AS SHOWN OR AS DIRECTED BY CONTRACT ADMINISTRATOR.
 5. 150mm PARTIAL CONCRETE SLAB PATCHES SHOWN ARE ONLY A REPRESENTATIVE APPROXIMATION OF THE TENDERED QUANTITIES.
 6. EXISTING SIDEWALK TO BE RENEWED AS PER SD-228A AND AS DIRECTED BY CONTRACT ADMINISTRATOR.
 7. PLANE EXISTING CURB AND CONSTRUCT MODIFIED LIP CURB AS PER SD-202C AND AS DIRECTED BY CONTRACT ADMINISTRATOR.
 8. ALL PRIVATE WALKWAYS TO BE ADJUSTED TO NEW SIDEWALK OR TOP OF CURB ELEVATION, AS DIRECTED BY THE CONTRACT ADMINISTRATOR.
 9. EXISTING LIP CURB AT PRIVATE APPROACHES TO BE RENEWED AS DIRECTED BY CONTRACT ADMINISTRATOR.
 10. PAVEMENT REPAIR FABRIC TO BE INSTALLED AS SHOWN OR AS DIRECTED BY CONTRACT ADMINISTRATOR.
 11. MODIFIED BARRIER CURB TO BE CONSTRUCTED AT ALL INTERSECTION RADI AND ALLEY RADI.
 12. CONTRACTORS TO TAKE PRECAUTIONARY STEPS TO PROTECT EXISTING TREES WITHIN THE LIMITS OF CONSTRUCTION FROM DAMAGE FROM CONSTRUCTION ACTIVITIES AS OUTLINED IN THE SPECIFICATIONS.
 13. LAMP STANDARDS, HYDRO POLES, AND ANCHORS THAT REQUIRE TEMPORARY SUPPORT, REMOVAL OR REPLACEMENT, TO BE DONE SO AT THE EXPENSE OF THE CONTRACTOR AS NECESSARY.
 14. ALL BOULEVARDS TO BE SODDED UNLESS OTHERWISE NOTED.
 15. ADJUST ALL WATER VALVES, HYDRANTS, MANHOLES, AND CATCH BASINS IN WORK AREA TO GRADE.



METRIC
WHOLE NUMBERS INDICATE MILLIMETRES
DECIMALIZED NUMBERS INDICATE METRES

**ENGINEERS
GEOSCIENTISTS
MANITOBA**
Certificate of Authorization
WSP Canada Inc.
No. 5750

FOR TENDER PURPOSES ONLY
NOT FOR CONSTRUCTION

EXISTING	LEGEND-PLAN	PROPOSED	EXISTING	LEGEND-PLAN	PROPOSED	EXISTING	LEGEND-PROFILE	PROPOSED
---	WATER MAIN	---	⊕	IRON BAR	---	---		
---	LAND DRAINAGE SEWER	---	⊕	HYDRO POLE & LIGHT STANDARD	---	---		
---	WASTE WATER SEWER	---	⊕	LIGHT STANDARD OR TRAFFIC SIGNAL	---	---		
---	HYDRO	---	HP	HYDRO POLE	---	---		
---	BELL/MTS	---	⊕	CURB RAMP	---	---		
---	GAS	---	⊕	DETECTABLE WARNING SURFACE TILE	---	---		
---	SIGNALS	---	⊕	EDGE OF SIDEWALK	---	---		
○	MANHOLE	○	---	FENCE	---	---		
□	CATCH BASIN	□	---	PROPERTY LINE	---	---		
△	CURB INLET	△	---	EDGE OF ASPHALT	---	---		
△	UTILITIES ADJUSTED	△	---	EDGE OF CONCRETE	---	---		
⊔	PLUG	⊔	---	MODIFIED BARRIER CURB	---	---		
⊕	HYDRANT	⊕	---	BARRIER CURB	---	---		
⊕	VALVE	⊕	---	BARRIER CURB AND GUTTER	---	---		
⊕	CURB STOP	⊕	---	CONC SIDEWALK	---	---		
230.99	GROUND GRADE	---	---	CONCRETE SLAB	---	---		
(231.00)	PAVEMENT GRADE	(231.000)	---	ASPHALT	---	---		
---	ANCHOR	---	---	MILLED SURFACE	---	---		
#111	CIVIC ADDRESS	---	---	PAVEMENT REPAIR FABRIC	---	---		
---	EXISTING	---	---	---	---	---		

LOCATIONS APPROVED UNDERGROUND STRUCTURES		G.M.	ELEV.
7			
6			
5			
4			
3			
2			
1	ADDENDUM 1	20230201	R.H.
0	ISSUED FOR TENDER	20230209	R.H.
NO.	REVISIONS	DATE	BY

wsp

DESIGNED BY: R.H. CHECKED BY: R.H.
DRAWN BY: N.T. APPROVED BY: S.M.

WSP Canada Inc.
1600 Buffalo Place
Winnipeg, MB R3T 6B8
t. 204.477.6650
f. 204.474.2864
www.wsp.com

2023-02-23

CONSULTANT ACAD DWG. NO. 221-07897-00-25

THE CITY OF WINNIPEG
PUBLIC WORKS DEPARTMENT
ENGINEERING SERVICES DIVISION

2023 LOCAL STREET RENEWALS
STILLWATER ROAD

MAJOR REHABILITATION
STA. 3+30 TO STA. 4+18.85

CITY DRAWING NUMBER
SHEET 25 OF 31

TENDER NO. 907-2022

Feb 21, 2023 - 4:49pm
P:\2022\221-07897-00 - 2023 Local Street Renewal\14.11.06\03_Work_Dwg\01_221-07897-00_Stillwater_Rd_Plan&Profile.dwg - tab:907-2022_Addendum_1_Drawing_221-07897-00-25-R1