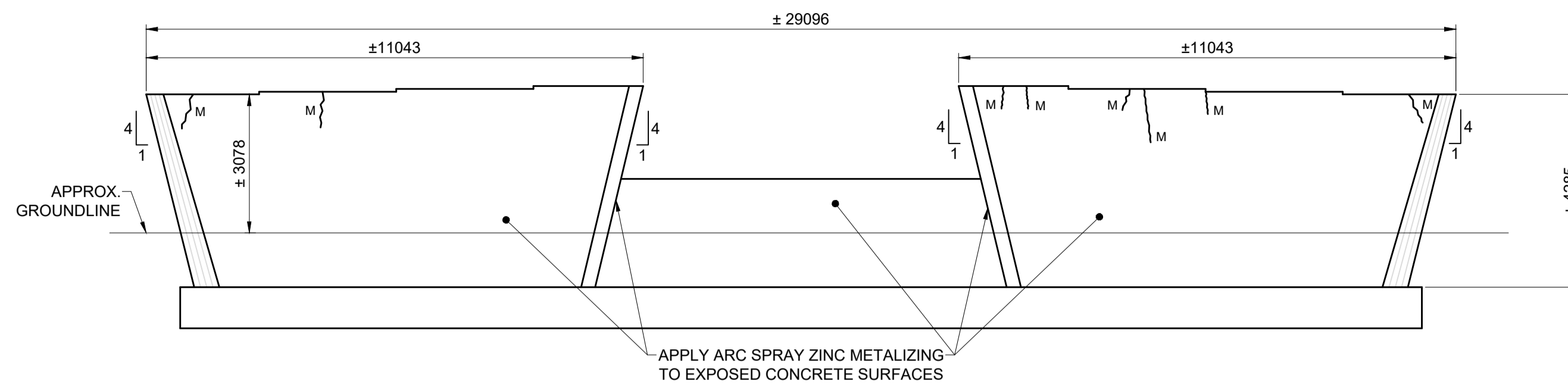


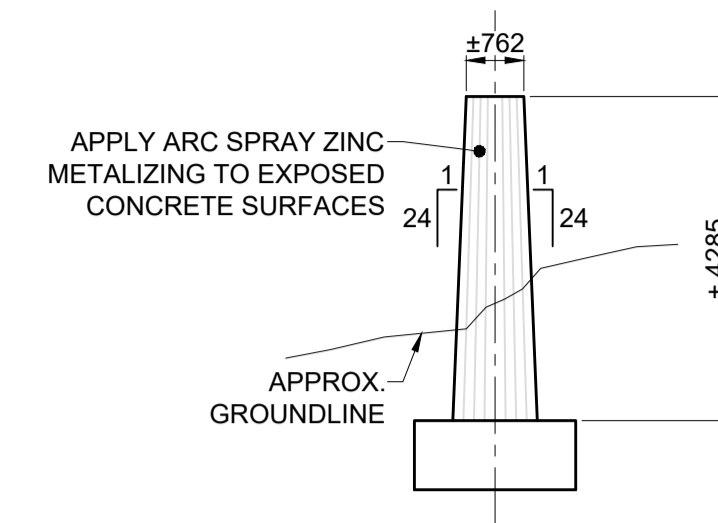
**PIER 8 WEST END** ⚠

SCALE: 1:100



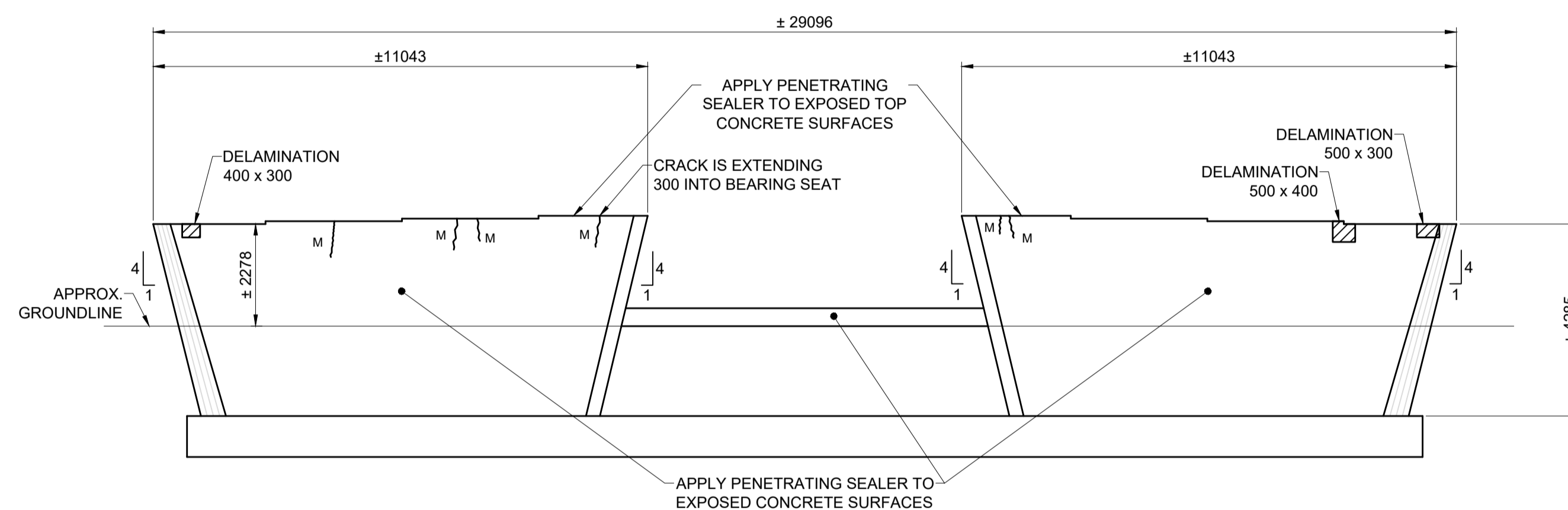
**PIER 8 SOUTH FACE** ⚠

SCALE: 1:100



**PIER 8 EAST END** ⚠

SCALE: 1:100



**PIER 8 NORTH FACE** ⚠

SCALE: 1:100

**NOTES:** ⚠

1. DEFECTS MAPPED JULY 2022.
2. CONTRACTOR TO UNDERTAKE DELAMINATION SURVEY WITH RESIDENT ENGINEER TO CONFIRM EXTENT OF DEFECTS.
3. MEDIUM AND WIDE CRACKS TO BE EPOXY INJECTED AS DIRECTED BY THE CONTRACT ADMINISTRATOR.
4. REPAIRS TO BE COMPLETED TO DELAMINATED, SPALLED, CRACKED, AND SCALED CONCRETE PRIOR TO APPLYING ARC SPRAY ZINC METALIZING OR PENETRATING SEALER. REFER TO SHEET 139 FOR PATCH REPAIR DETAILS.
5. MEDIUM CRACKS RANGE IN WIDTH FROM 0.3 TO 1.0 mm ±
6. APPLY ARC SPRAY ZINC METALIZING OR PENETRATING SEALER TO EXPOSED CONCRETE SURFACES, AS INDICATED, AFTER COMPLETING CONCRETE REPAIRS AND MODIFICATIONS FOR BEARINGS (REFER TO SHEET 136)

**LEGEND:**

MEDIUM CRACK	M	SPALL	[Pattern]
WIDE CRACK	W	AQUATIC GROWTH	[Pattern]
DELAMINATION	[Pattern]	DARK STAINING	[Pattern]
		MAP CRACKING	[Pattern]

**LOCATION APPROVED UNDERGROUND STRUCTURES**

NOTE: LOCATION OF UNDERGROUND STRUCTURES AS SHOWN ARE BASED ON THE BEST INFORMATION AVAILABLE BUT NO GUARANTEE IS GIVEN THAT ALL EXISTING UTILITIES ARE SHOWN OR THAT THE GIVEN LOCATIONS ARE EXACT. CONFIRMATION OF EXISTENCE AND EXACT LOCATION OF ALL SERVICES MUST BE OBTAINED FROM THE INDIVIDUAL UTILITIES BEFORE PROCEEDING WITH CONSTRUCTION.

BM 54-006	Toll, in S. face of E. Conc. pier in 1st row of Conc. piers N. of S. end of St. Vital Bridge over Red River, N. of Kingston Row, 5 m W. of E. end of Pier.	
ELEV 228.166 m		
No.	REVISIONS	DATE
1	REVISED FOR ADDENDUM 3	23/01/13 BAP
0	ISSUED FOR TENDER	22/11/24 BAP

**MORRISON HERSHFIELD**

DESIGNED BY: BAP  
 CHECKED BY: BE  
 DRAWN BY: KMB  
 APPROVED BY: BE

HOR SCALE: 1:100  
 VERT SCALE: \_\_\_\_\_

RELEASED FOR CONSTRUCTION: \_\_\_\_\_  
 DATE: NOV 24, 2022

PROFESSIONAL'S SEAL

PROVINCE OF MANITOBA  
**B.A.F. PHILLIPS**  
 Member 32723  
 2023-01-13  
 REGISTERED PROFESSIONAL ENGINEER

CONSULTANT FILE NAME  
 2103510-SVB-DD-BR-PIER08.dwg

**THE CITY OF WINNIPEG**  
 PUBLIC WORKS DEPARTMENT  
 ENGINEERING DIVISION

Winnipeg

**ST. VITAL TWIN BRIDGE OVER THE RED RIVER REHABILITATION AND RELATED WORKS**

BRIDGE REHABILITATION  
 PIER 8 DEFECT MAP AND SURFACE REPAIRS

CITY FILE NUMBER: B116-24-46  
 SHEET 132 OF 244  
 DRAWING NUMBER: 132

TENDER No. 615-2022

**ENGINEERS GEOSCIENTISTS MANITOBA**  
 Certificate of Authorization  
 MORRISON HERSHFIELD  
 No. 1736

**METRIC**  
 WHOLE NUMBERS INDICATE MILLIMETRES  
 DECIMALIZED NUMBERS INDICATE METRES