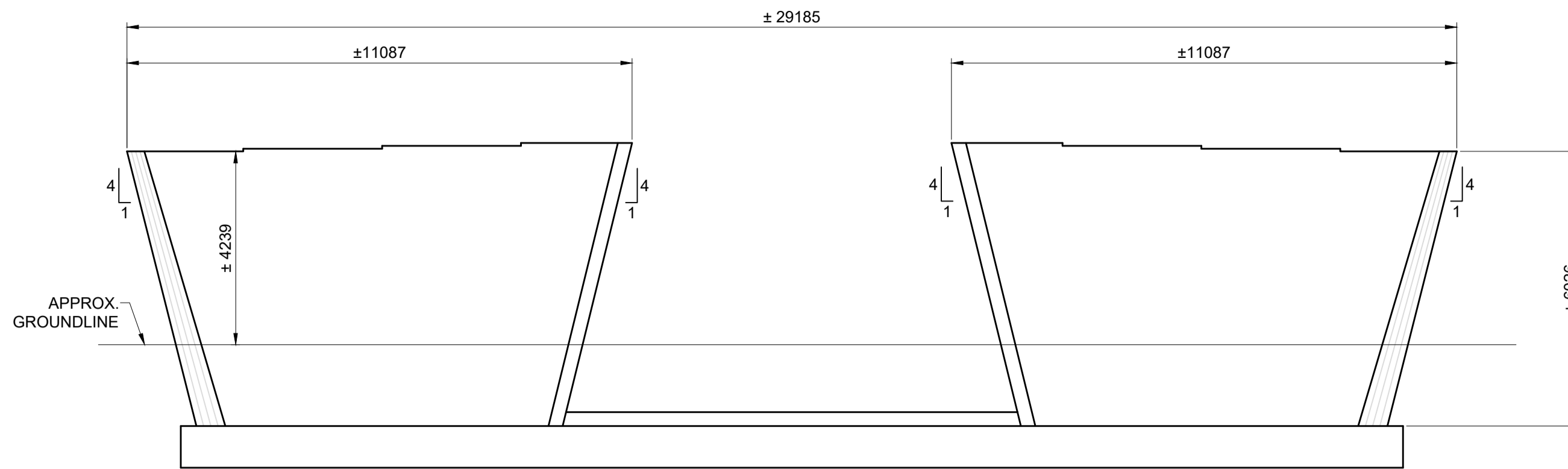
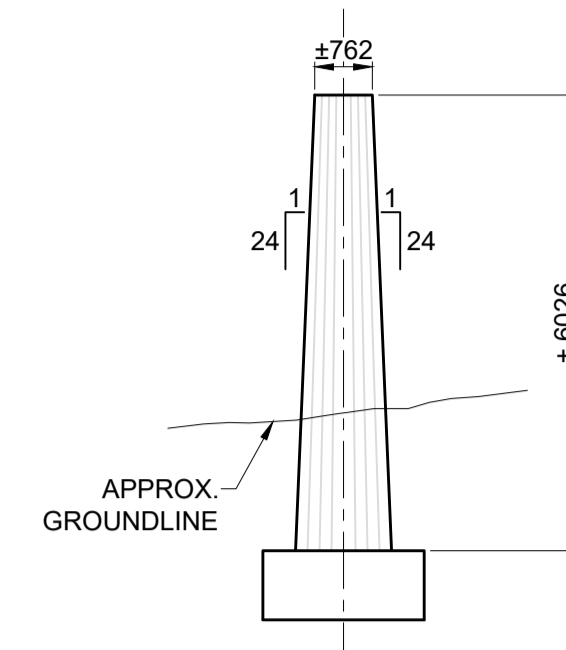


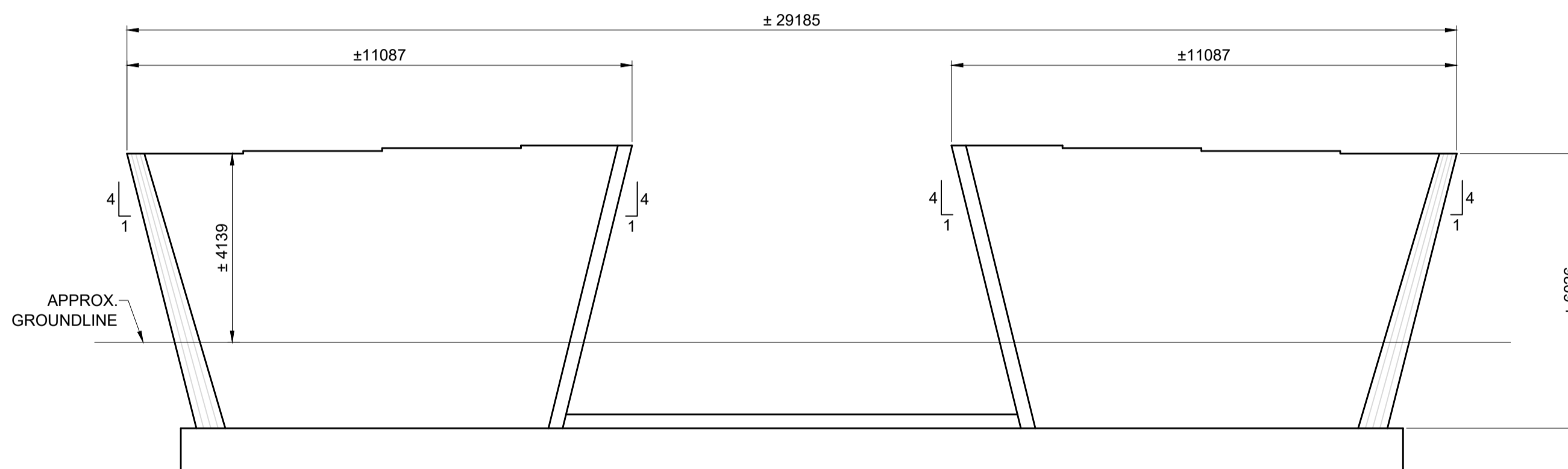
PIER 3 WEST END 
SCALE: 1:100




PIER 3 SOUTH FACE 
SCALE: 1:100



PIER 3 EAST END 
SCALE: 1:100



PIER 3 NORTH FACE 
SCALE: 1:100

NOTES: 

1. DEFECTS MAPPED JULY 2022.
2. CONTRACTOR TO UNDERTAKE DELAMINATION SURVEY WITH RESIDENT ENGINEER TO CONFIRM EXTENT OF DEFECTS.
3. MEDIUM AND WIDE CRACKS TO BE EPOXY INJECTED AS DIRECTED BY THE CONTRACT ADMINISTRATOR.
4. REPAIRS TO BE COMPLETED TO DELAMINATED, SPALL, CRACKED, AND SCALED CONCRETE. REFER TO SHEET 139 FOR PATCH REPAIR DETAILS.
5. MEDIUM CRACKS RANGE IN WIDTH FROM 0.3 TO 1.0 mm ±
6. APPLY PENETRATING SEALER TO EXPOSED CONCRETE SURFACES AFTER COMPLETING CONCRETE REPAIRS AND MODIFICATIONS FOR BEARINGS (REFER TO SHEET 134)

LEGEND:

MEDIUM CRACK		SPALL	
WIDE CRACK		AQUATIC GROWTH	
DELAMINATION		DARK STAINING	
		MAP CRACKING	

METRIC
WHOLE NUMBERS INDICATE MILLIMETRES
DECIMALIZED NUMBERS INDICATE METRES

LOCATION APPROVED
UNDERGROUND STRUCTURES

SUPR. U/G STRUCTURES COMMITTEE DATE

NOTE:
LOCATION OF UNDERGROUND STRUCTURES AS SHOWN ARE BASED ON THE BEST INFORMATION AVAILABLE BUT NO GUARANTEE IS GIVEN THAT ALL EXISTING UTILITIES ARE SHOWN OR THAT THE GIVEN LOCATIONS ARE EXACT. CONFIRMATION OF EXISTENCE AND EXACT LOCATION OF ALL SERVICES MUST BE OBTAINED FROM THE INDIVIDUAL UTILITIES BEFORE PROCEEDING WITH CONSTRUCTION.

BM 54-006 ELEV 228.166 m	Tie, in S. face of E. Conc. pier in 1st row of Conc. piers N. of S. end of St. Vital Bridge over Red River. N. of Kingston Row, 5 m W. of E. end of Pier.	
No.	REVISIONS	DATE
1	REVISED FOR ADDENDUM 3	23/01/13 BAP
0	ISSUED FOR TENDER	22/11/24 BAP
		YY/MM/DD BY



DESIGNED BY	BAP	CHECKED BY	BE
DRAWN BY	KMB	APPROVED BY	BE
HOR SCALE	1:100	RELEASED FOR CONSTRUCTION	
VERT SCALE			
DATE	NOV 24, 2022	DATE	

PROFESSIONAL'S SEAL
PROVINCE OF MANITOBA
B.A.F. PHILLIPS
Member 32723
2023-01-13
REGISTERED PROFESSIONAL ENGINEER
CONSULTANT FILE NAME
2103510-SVB-DD-BR-PIER03.dwg

THE CITY OF WINNIPEG
PUBLIC WORKS DEPARTMENT
ENGINEERING DIVISION
Winnipeg

**ST. VITAL TWIN BRIDGE OVER THE RED RIVER
REHABILITATION AND RELATED WORKS**

**BRIDGE REHABILITATION
PIER 3 DEFECT MAP AND SURFACE REPAIRS**

CITY FILE NUMBER: B116-24-41
SHEET 127 OF 244
DRAWING NUMBER: 127

**ENGINEERS
GEO-SCIENTISTS**
MANITOBA
Certificate of Authorization
MORRISON HERSHFIELD
No. 1736
TENDER No. 615-2022