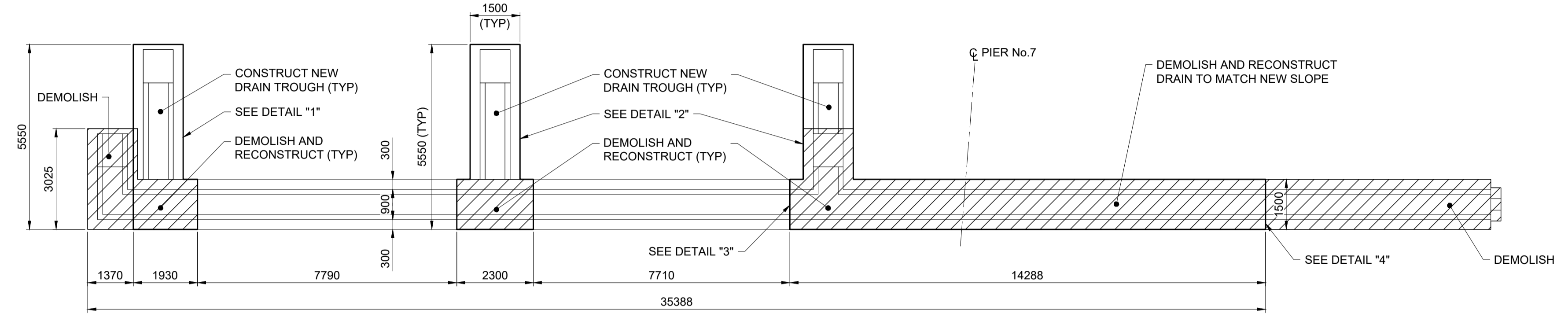
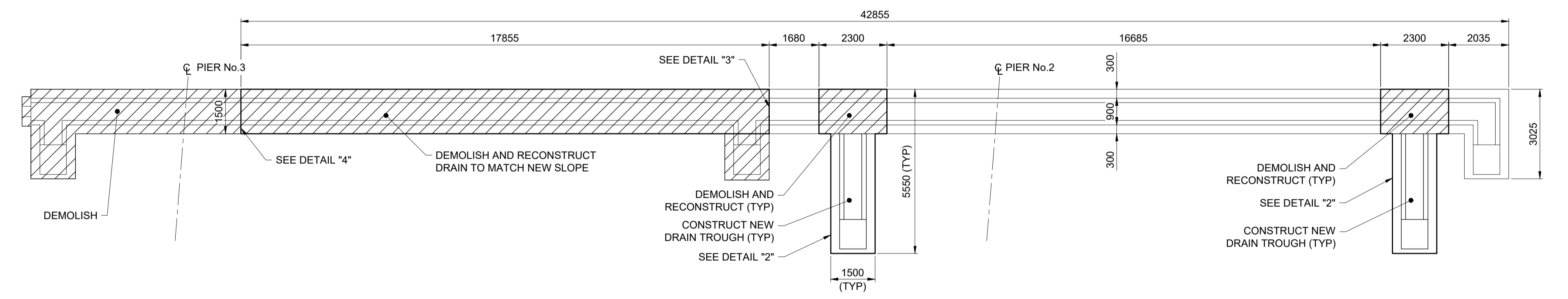


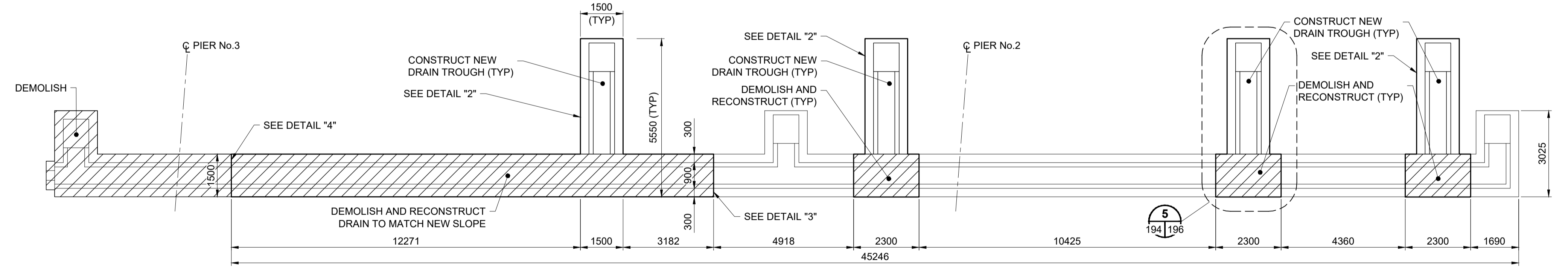
SOUTH DRAINAGE TROUGH PLAN
SOUTHBOUND CARRIAGEWAY
SCALE: 1:100



SOUTH DRAINAGE TROUGH PLAN
NORTHBOUND CARRIAGEWAY
SCALE: 1:100



NORTH DRAINAGE TROUGH PLAN
SOUTHBOUND CARRIAGEWAY
SCALE: 1:100



NORTH DRAINAGE TROUGH PLAN
NORTHBOUND CARRIAGEWAY
SCALE: 1:100

- NOTES:
- FOR NEW SLOPE GRADING, REFER TO SHEET 93.
 - CLEAR COVER TO REINFORCING STEEL FOR DRAINAGE TROUGHS 60 mm UNLESS NOTED OTHERWISE.

LOCATION APPROVED
UNDERGROUND STRUCTURES

SUPR. U/G STRUCTURES COMMITTEE DATE

NOTE:
LOCATION OF UNDERGROUND STRUCTURES AS SHOWN ARE BASED ON THE BEST INFORMATION AVAILABLE BUT NO GUARANTEE IS GIVEN THAT ALL EXISTING UTILITIES ARE SHOWN OR THAT THE GIVEN LOCATIONS ARE EXACT. CONFIRMATION OF EXISTENCE AND EXACT LOCATION OF ALL SERVICES MUST BE OBTAINED FROM THE INDIVIDUAL UTILITIES BEFORE PROCEEDING WITH CONSTRUCTION.

BM 54-006	Tbl. in S. face of E. Conc. pier in 1st row of Conc. piers
ELEV. 228.166 m	N. of S. end of St. Vital Bridge over Red River,
	N. of Kingston Row, 5 m W. of E. end of Pier.
1	REVISED FOR ADDENDUM 3 23/01/13 BAP
0	ISSUED FOR TENDER 22/11/24 BAP
No.	REVISIONS YYMMDD BY DATE

MORRISON HERSHFIELD

DESIGNED BY BAP CHECKED BY BE

DRAWN BY JH APPROVED BY BE

RELEASED FOR CONSTRUCTION

HOR SCALE 1:100

VERT SCALE 1:100

DATE NOV 24, 2022

PROFESSIONAL'S SEAL

PROVINCE OF MANITOBA

B.A.F. PHILLIPS

Member 32723

2023-01-13

REGISTERED PROFESSIONAL ENGINEER

CONSULTANT FILE NAME

2103510-SVB-DD-BR-TROUGH01.dwg

THE CITY OF WINNIPEG

PUBLIC WORKS DEPARTMENT

ENGINEERING DIVISION

ST. VITAL TWIN BRIDGE OVER THE RED RIVER

REHABILITATION AND RELATED WORKS

CITY FILE NUMBER B116-24-108

SHEET 194 OF 244

DRAWING NUMBER 194

BRIDGE REHABILITATION

DRAINAGE TROUGH MODIFICATIONS

TENDER No. 615-2022

METRIC

WHOLE NUMBERS INDICATE MILLIMETRES

DECIMALIZED NUMBERS INDICATE METRES