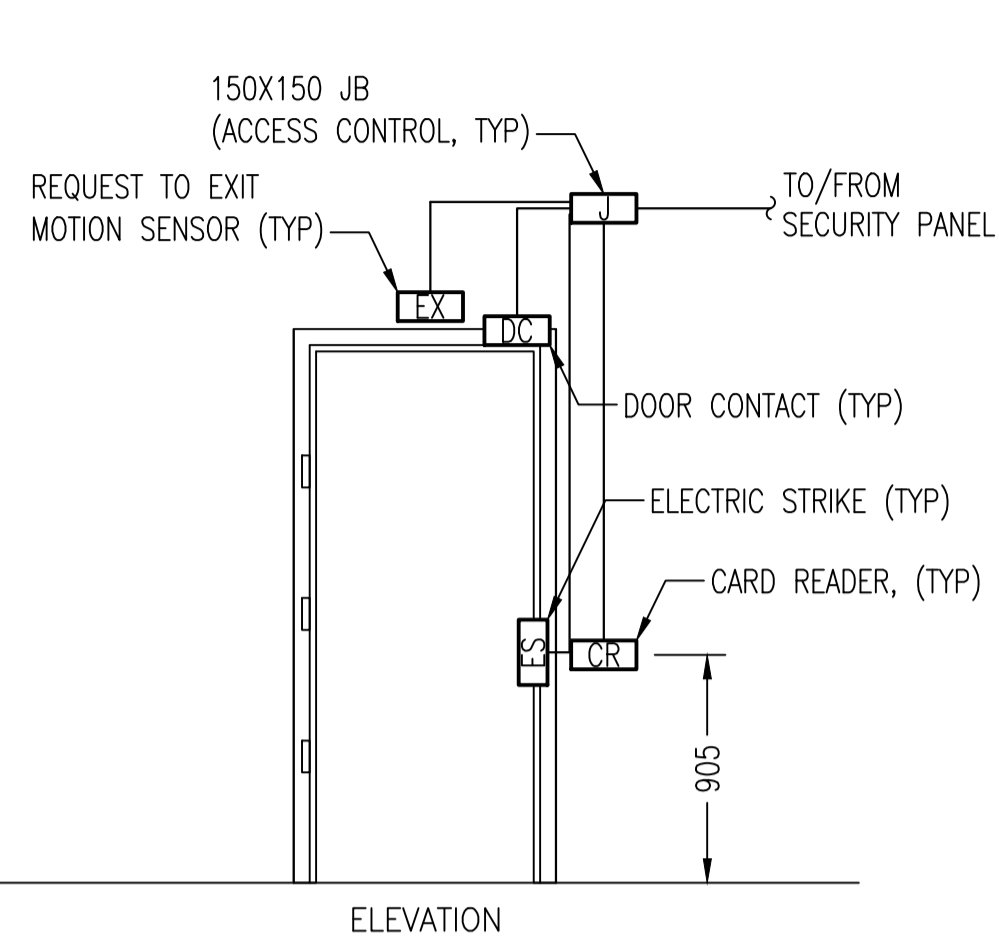


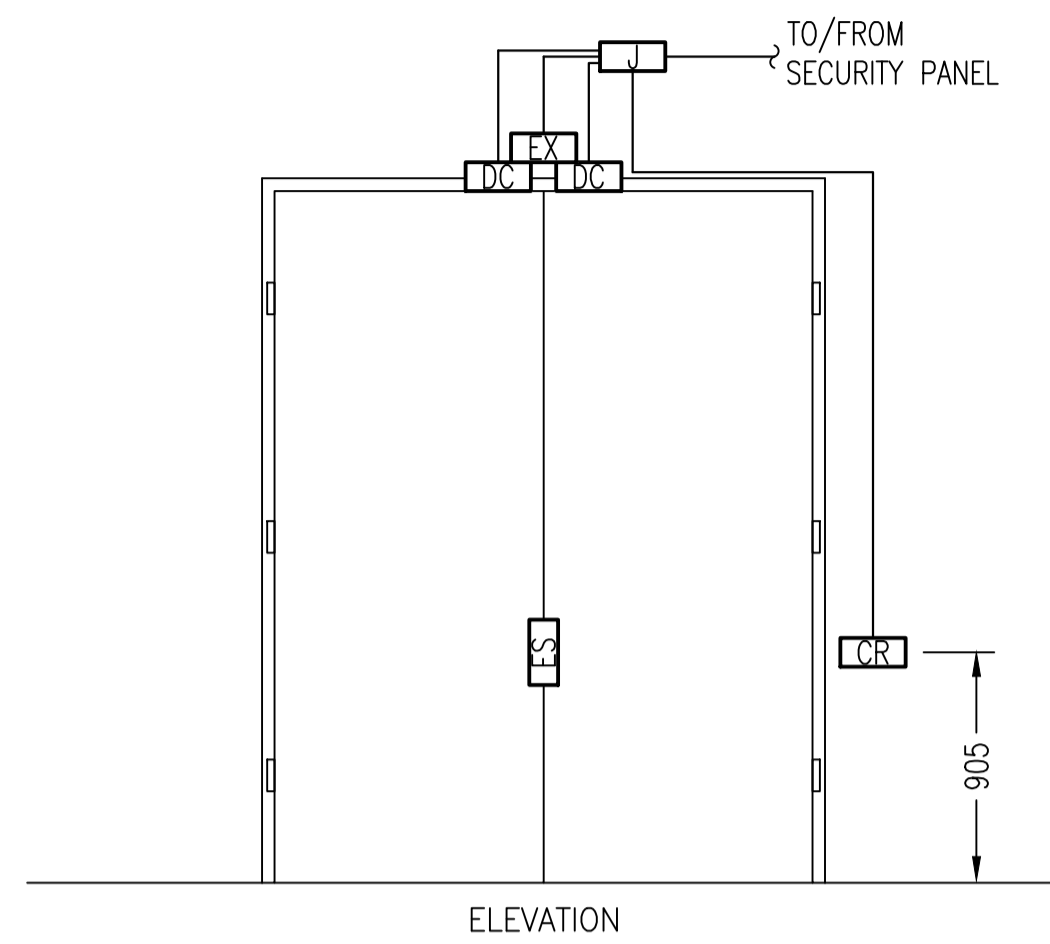
GENERAL NOTES:

1. PROVIDE DATA RACK FOR FIBER OPTIC, PATCH PANEL, AND SPLICE TRAY. DATA RACK SHALL BE 6U SERVER RACK CABINETS (VPM) SERIES BY MIDLAND ATLANTIC OR APPROVED EQUAL.
2. WORKSTATION FOR PRODUCTION TO BE PROVIDED BY OWNER.
3. CONTRACTOR SHALL PROVIDE WIRING AND JUNCTION BOX ON WALL NEAR OVEN FOR FUTURE RTD TO BE PROVIDED BY OWNER.
4. 24 PORT CISCO SWITCH (2960X) SUPPLIED BY CITY AND INSTALLED BY CONTRACTOR.



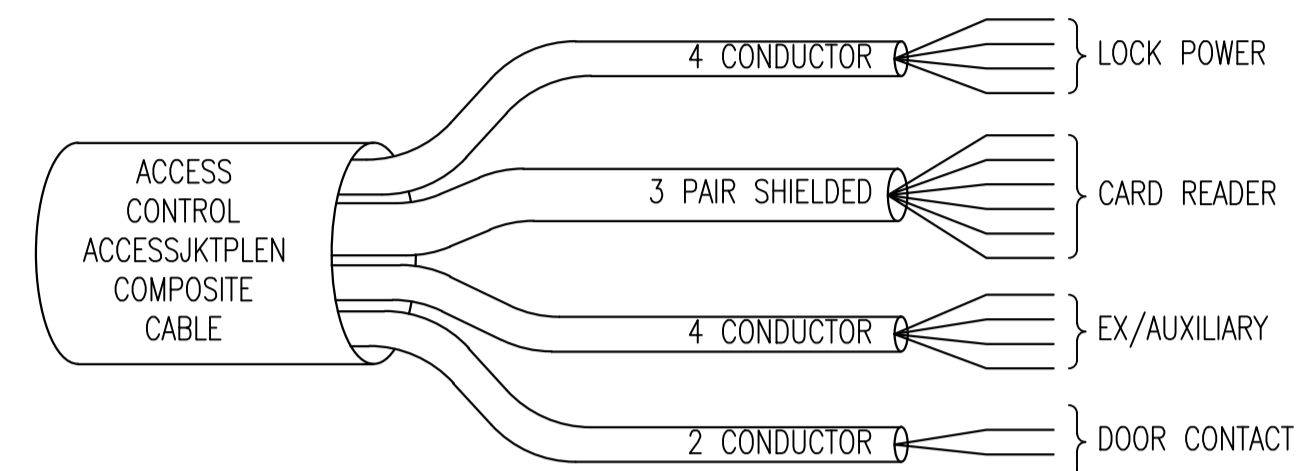
A SINGLE DOOR W/ CARD ACCESS, ELECTRIC STRIKE AND PDS MONITORING

SCALE: NTS



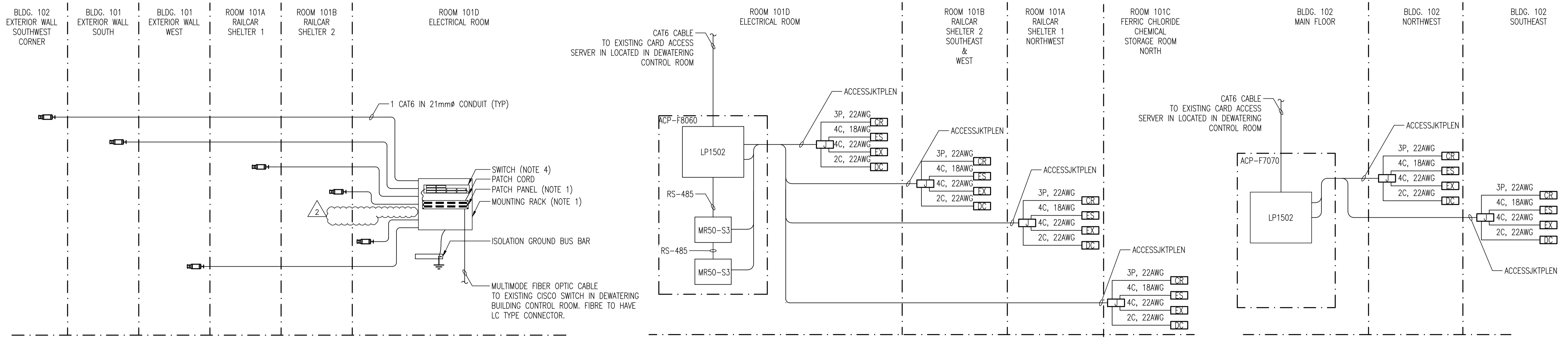
B DOUBLE DOOR W/ DUAL CARD ACCESS (IN/OUT) ELECTRIC STRIKE AND PDS MONITORING

SCALE: NTS



C ACCESS CONTROL COMPOSITE CABLE

SCALE: NTS



D LAN & CCTV RISER DIAGRAM

SCALE: NTS

E ACCESS CONTROL RISER DIAGRAM (SEE DETAIL A)

SCALE: NTS

F ACCESS CONTROL RISER DIAGRAM (SEE DETAIL A)

SCALE: NTS

| | | |
|--------------------|----------------|-------------------------|
| NO. | DRAWING NUMBER | REFERENCE DRAWING TITLE |
| REFERENCE DRAWINGS | | |



| | | | |
|--|----------------------------|------------|-----|
| B.M. ELEV. | | | |
| CONSTRUCTION COMPLETION DATE: YYYY MM DD | | | |
| NO. | REVISIONS | DATE | BY |
| 2 | RE-ISSUED FOR CONSTRUCTION | 2022 07 21 | JAB |
| 1 | RE-ISSUED FOR CONSTRUCTION | 2022 07 05 | JAB |
| 0 | ISSUED FOR CONSTRUCTION | 2022 05 18 | JAB |

KGS GROUP

| | | | |
|-------------|------------|--------------------------------|-----|
| DESIGNED BY | DG | CHECKED BY | JAB |
| DRAWN BY | RG | APPROVED BY | JAB |
| SCALE: | AS SHOWN | | |
| DATE | 2021 22 10 | RELEASED FOR CONSTRUCTION DATE | |

ENGINEER'S SEAL

CONSULTANT DRAWING NUMBER: 21-0107-015_E0.010

THE CITY OF WINNIPEG
 WATER AND WASTE DEPARTMENT
 ENGINEERING DIVISION

Winnipeg

NORTH END SEWAGE TREATMENT PLANT (NEWPC)
 INTERIM PHOSPHOROUS REMOVAL
 ELECTRICAL

BUILDING 101
 ELECTRICAL DETAILS - SECURITY SYSTEM

CITY DRAWING NUMBER: 1-0101-EDTL-F005-001

SHEET 1 OF 1