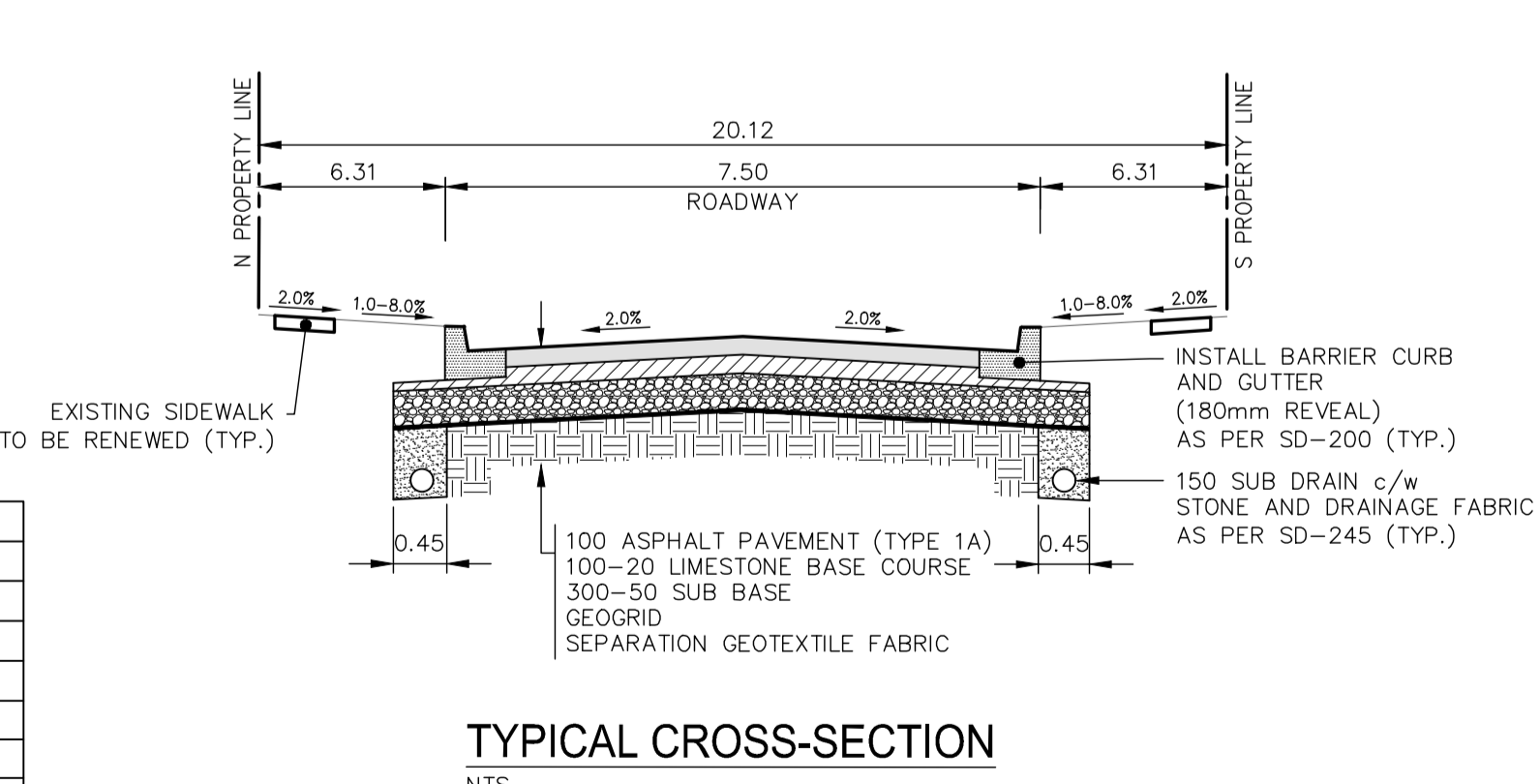


EXISTING	LEGEND-PLAN	PROPOSED	EXISTING	LEGEND-PLAN	PROPOSED	EXISTING	LEGEND-PROFILE	PROPOSED
---	WATER MAIN	---	---	---	---	---	---	---
---	LAND DRAINAGE SEWER	---	---	---	---	---	---	---
---	WASTE WATER SEWER	---	---	---	---	---	---	---
---	HYDRO	---	---	---	---	---	---	---
---	M.T.S.	---	---	---	---	---	---	---
---	GAS	---	---	---	---	---	---	---
---	SIGNALS	---	---	---	---	---	---	---
○	MANHOLE	●	---	---	---	---	---	---
□	CATCH BASIN	■	---	---	---	---	---	---
△	CURB INLET	▽	---	---	---	---	---	---
⊥	UTILITIES ADJUSTED	⊥	---	---	---	---	---	---
⊥	PLUG	⊥	---	---	---	---	---	---
⊥	HYDRANT	⊥	---	---	---	---	---	---
⊥	VALVE	⊥	---	---	---	---	---	---
⊥	CURB STOP	⊥	---	---	---	---	---	---
---	GROUND GRADE	---	---	---	---	---	---	---
(31.00)	PAVEMENT GRADE	(31.00)	---	---	---	---	---	---
---	ANCHOR	---	---	---	---	---	---	---
#111	CIVIC ADDRESS	---	---	---	---	---	---	---
---	EXISTING	---	---	---	---	---	---	---



- NOTES:
- ALL WORK AND MATERIALS TO BE IN ACCORDANCE WITH THE LATEST REVISION OF THE CITY OF WINNIPEG STANDARD CONSTRUCTION SPECIFICATIONS.
 - CONTRACTOR TO CONFIRM THE LOCATION OF ALL UTILITIES/SERVICES IN THE FIELD PRIOR TO CONSTRUCTION.
 - ALL ROADWAY DIMENSIONS SHOWN ARE TO BACK OF CURB.
 - ADD 200.00 TO ABBREVIATED ELEVATIONS TO OBTAIN GEODETIC ELEVATION.
 - RENEW CURB AND SIDEWALK AS IDENTIFIED BY CONTRACT ADMINISTRATOR.
 - ALL PRIVATE WALKWAYS TO BE ADJUSTED TO NEW SIDEWALK OR TOP OF CURB ELEVATION, AS REQUIRED.
 - ADJUST MH FRAMES, CB RIMS, AND VALVES TO NEW GRADES, AS REQUIRED.
 - MODIFIED BARRIER CURB TO BE CONSTRUCTED AT ALL INTERSECTION RADI AND BACK LANE RADI.
 - INSTALL 40mm LIP CURB THROUGH ALL RESIDENTIAL APPROACHES.
 - ALL EXISTING LONG WATER SERVICES TO BE INSULATED AS PER SD-018 (AS REQUIRED).
 - LAMP STANDARDS, HYDRO POLES, AND ANCHORS THAT REQUIRE TEMPORARY SUPPORT, REMOVAL OR REPLACEMENT, TO BE DONE SO AT THE EXPENSE OF THE CONTRACTOR AS NECESSARY.
 - CONTRACTORS TO TAKE PRECAUTIONARY STEPS TO PROTECT EXISTING TREES WITHIN THE LIMITS OF CONSTRUCTION FROM DAMAGE FROM CONSTRUCTION ACTIVITIES AS OUTLINED IN THE SPECIFICATIONS.
 - ALL BOULEVARDS TO BE SODDED UNLESS OTHERWISE NOTED. LIMITS TO BE IDENTIFIED IN THE FIELD BY THE CONTRACT ADMINISTRATOR.
 - CONTRACTOR TO MATCH ALL EDGING ON EXISTING CONCRETE DRIVEWAYS.
 - ADJUST ALL WATER VALVES, HYDRANTS, MANHOLES, AND CATCH BASINS IN WORK AREA TO GRADE.

PRELIMINARY
NOT FOR CONSTRUCTION

METRIC
WHOLE NUMBERS INDICATE MILLIMETRES
DECIMALIZED NUMBERS INDICATE METRES

ENGINEERS
GEOSCIENTISTS
MANITOBA
Certificate of Authorization
WSP Canada Group Limited
No. 6657

LOCATIONS APPROVED UNDERGROUND STRUCTURES

SIGNED BY: _____ DATE: _____

LOCATION OF UNDERGROUND STRUCTURES AS SHOWN ARE BASED ON THE BEST INFORMATION AVAILABLE BUT NO GUARANTEE IS GIVEN THAT ALL EXISTING UTILITIES ARE SHOWN OR THAT THE GIVEN LOCATIONS ARE EXACT CONFIRMATION OF EXISTENCE AND EXACT LOCATION OF ALL SERVICES MUST BE OBTAINED FROM THE INDIVIDUAL UTILITIES BEFORE PROCEEDING

BENCHMARK LOCATION
ELEV. 232.830
TOP OF TOP NUT ON HYDRANT SOUTH WEST CORNER OF BERESFORD AVENUE AND DALY STREET SOUTH.

wsp
WSP Canada Inc
Suite 111 - 93 Lombard Ave
Winnipeg, MB R3B 3B1
t. 204.943.3178
f. 204.943.4948
www.wsp.com

DESIGNED BY: **MCW** CHECKED BY: **VM/SM**
DRAWN BY: **HK** APPROVED BY: **VM**

HOR. SCALE: 1:250
VERTICAL: 1:10

RELEASED FOR CONSTRUCTION: _____ DATE: 2017-11-20

CONSULTANT ACAD DWG. NO. 17M-02167-00-C-13

THE CITY OF WINNIPEG
PUBLIC WORKS DEPARTMENT
ENGINEERING SERVICES DIVISION

2018 LOCAL STREET RENEWAL PROGRAM

BERESFORD AVENUE
DALY STREET SOUTH TO OSBORNE STREET

PAVEMENT RECONSTRUCTION
STA. 0+93.93 TO STA. 2+40

CITY DRAWING NUMBER: _____
SHEET 13 OF 20
BID NO. 32-2018