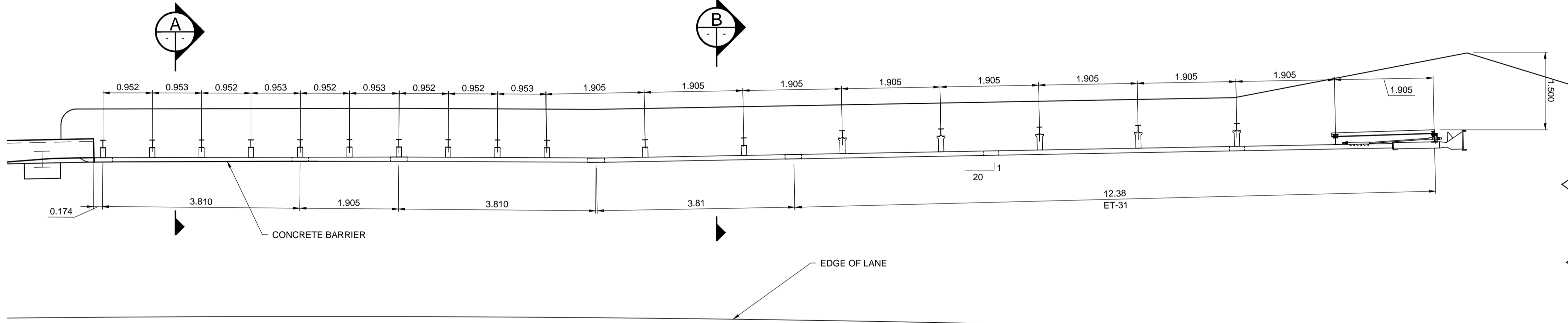
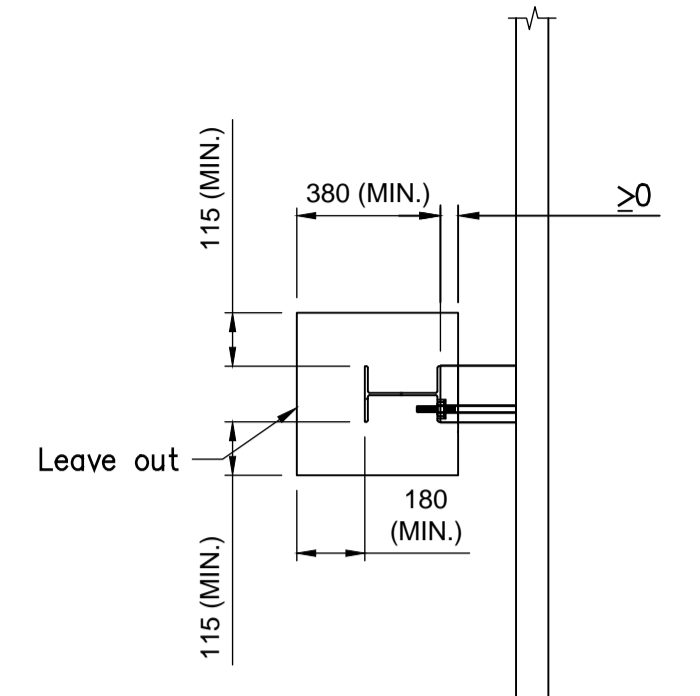
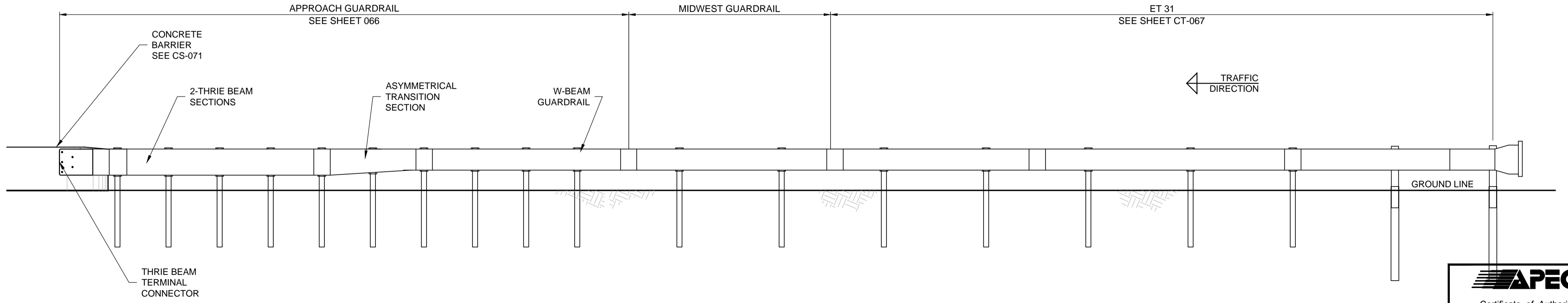


SITE PLAN
SCALE 1:200

LEAVE OUT DETAIL
Scale 1:20

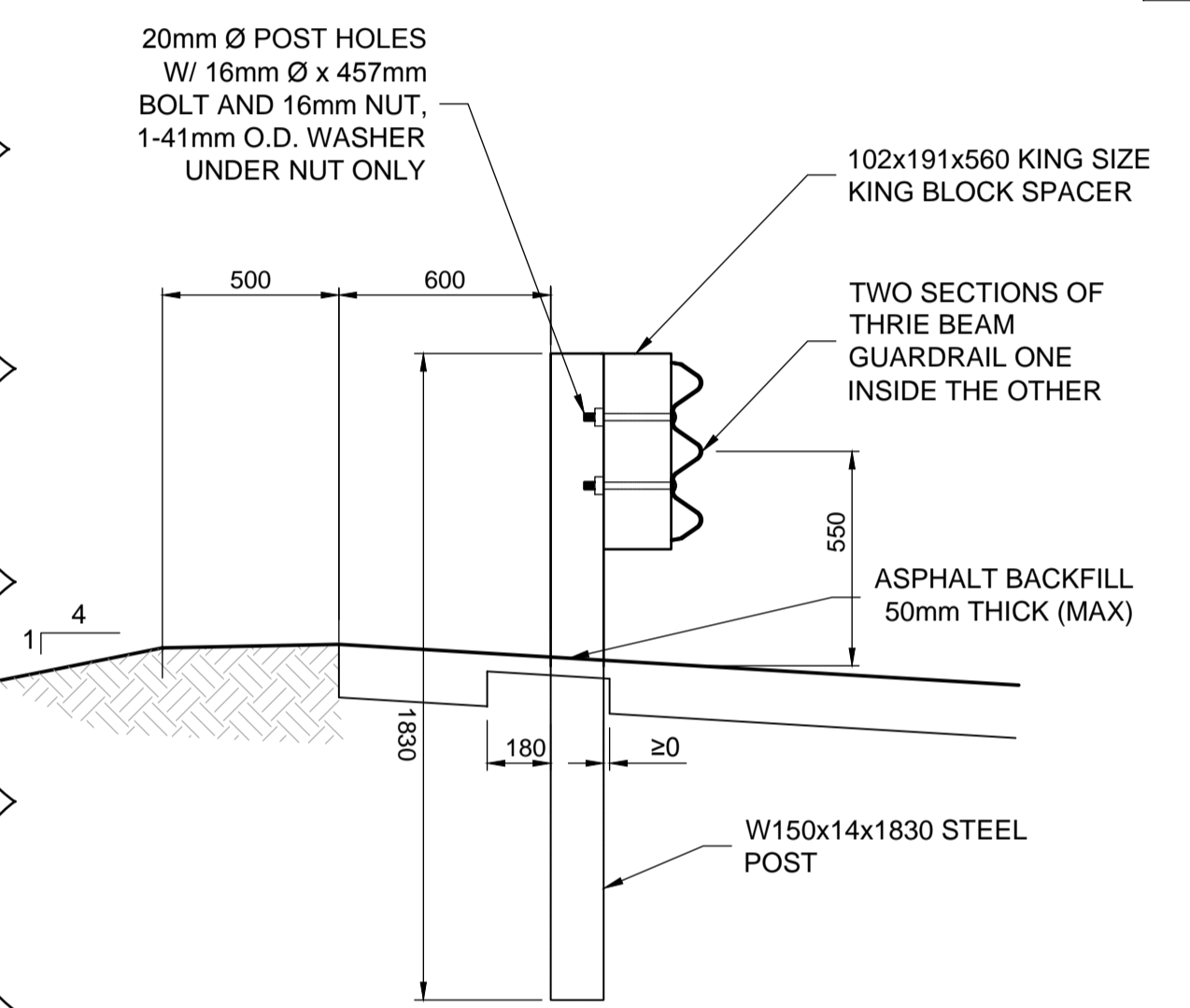


PLAN VIEW
SCALE 1:50

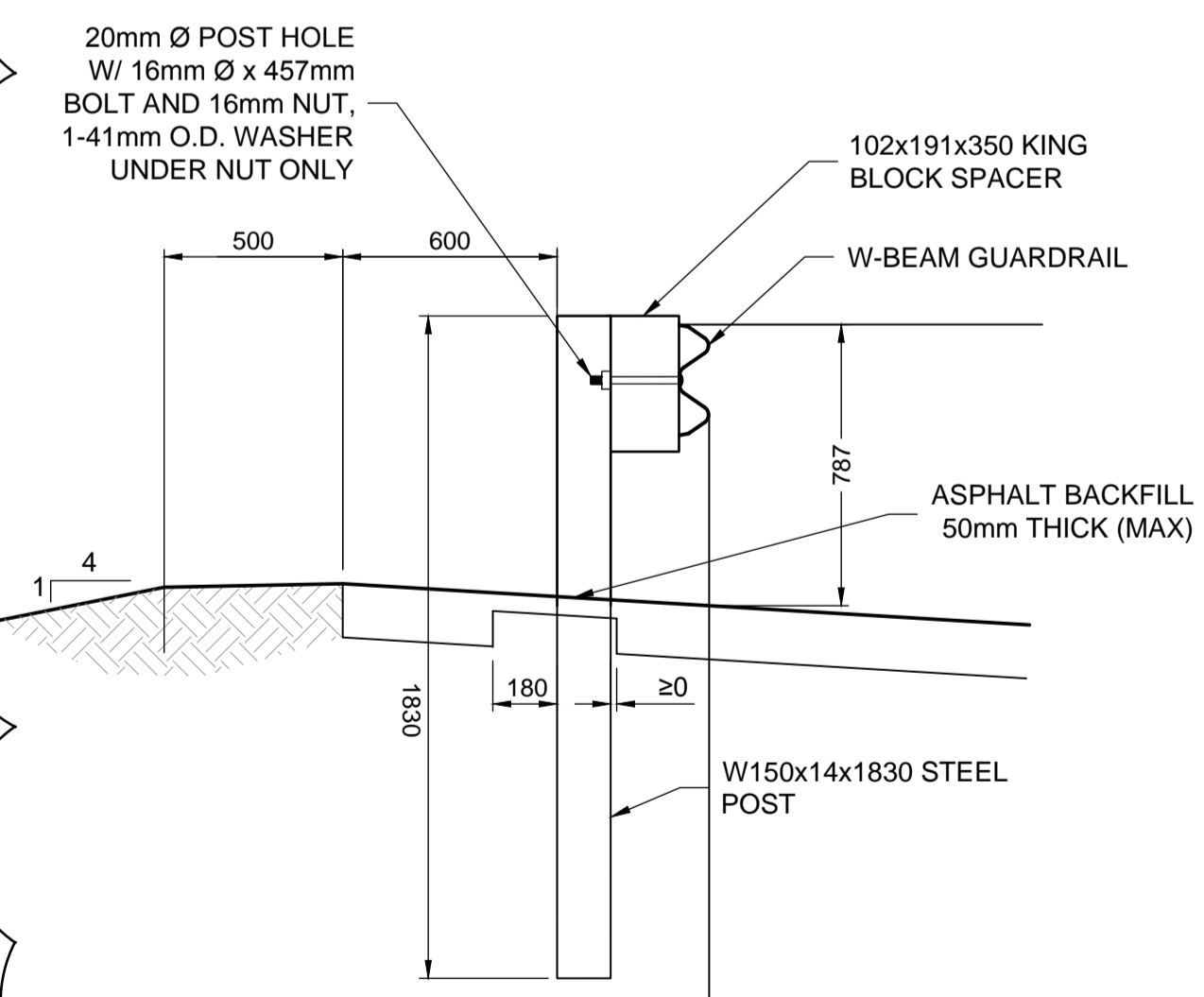


ELEVATION VIEW
SCALE 1:50

A GUARDRAIL SECTION
1:20



B GUARDRAIL SECTION
1:20



APEGM
Certificate of Authorization
Dillon Consulting Limited (MB)
No. 1789 Date: 18/02/09

THE CITY OF WINNIPEG
PUBLIC WORKS DEPARTMENT

FERMOR AVENUE BRIDGE OVER SEINE RIVER
BRIDGE REHABILITATION, PEDESTRIAN-CYCLIST UNDERPASS STRUCTURE
AND ROADWORKS FROM ST. ANNE'S ROAD TO ARCHIBALD STREET

CITY DRAWING NUMBER: P-3489-2017-CT-064
SHEET 064 OF 067
CONSULTANT DRAWING NUMBER: CT-064

DILLON CONSULTING

DESIGNED BY: JAT
DRAWN BY: PMW
CHECKED BY: JNC
APPROVED BY: JNC

PROVINCE OF MANITOBA REGISTERED PROFESSIONAL ENGINEER
J.N. CRANG

CONSULTANT PROJECT NUMBER: 17-5932

RELEASED FOR CONSTRUCTION

NO.	REVISIONS	DATE	BY
1	ADDENDUM #5	18/03/16	JNC
0	ISSUED FOR TENDER	18/02/09	JNC

LEGEND-PLAN	PROPOSED	EXISTING	LEGEND-PROFILE	PROPOSED	EXISTING
150 WM	WATERMAIN	150 WM	CONCRETE	ASPHALT	LAND DRAINAGE SEWER
HYDRANT	VALVE	MANHOLE	PAVING STONES	PARTIAL DEPTH REPAIR	PROPERTY LINE
CATCH BASIN	CURB INLET	300 LDS	LAND DRAINAGE SEWER	WASTE WATER SEWER	HYDRANT
250 WWS	HYDRO	M.T.S.	GAS	LEGEND-PLAN	PROPOSED
100 GAS	EXISTING	PROPOSED	EXISTING	LEGEND-PROFILE	PROPOSED

G:\CAD\175932\Drawings\Roadworks\Contract\175932-CON-CT-GUARDRAIL-LAYOUT.dwg