

ELECTRICAL LIGHTING RENOVATION NOTES: "X"

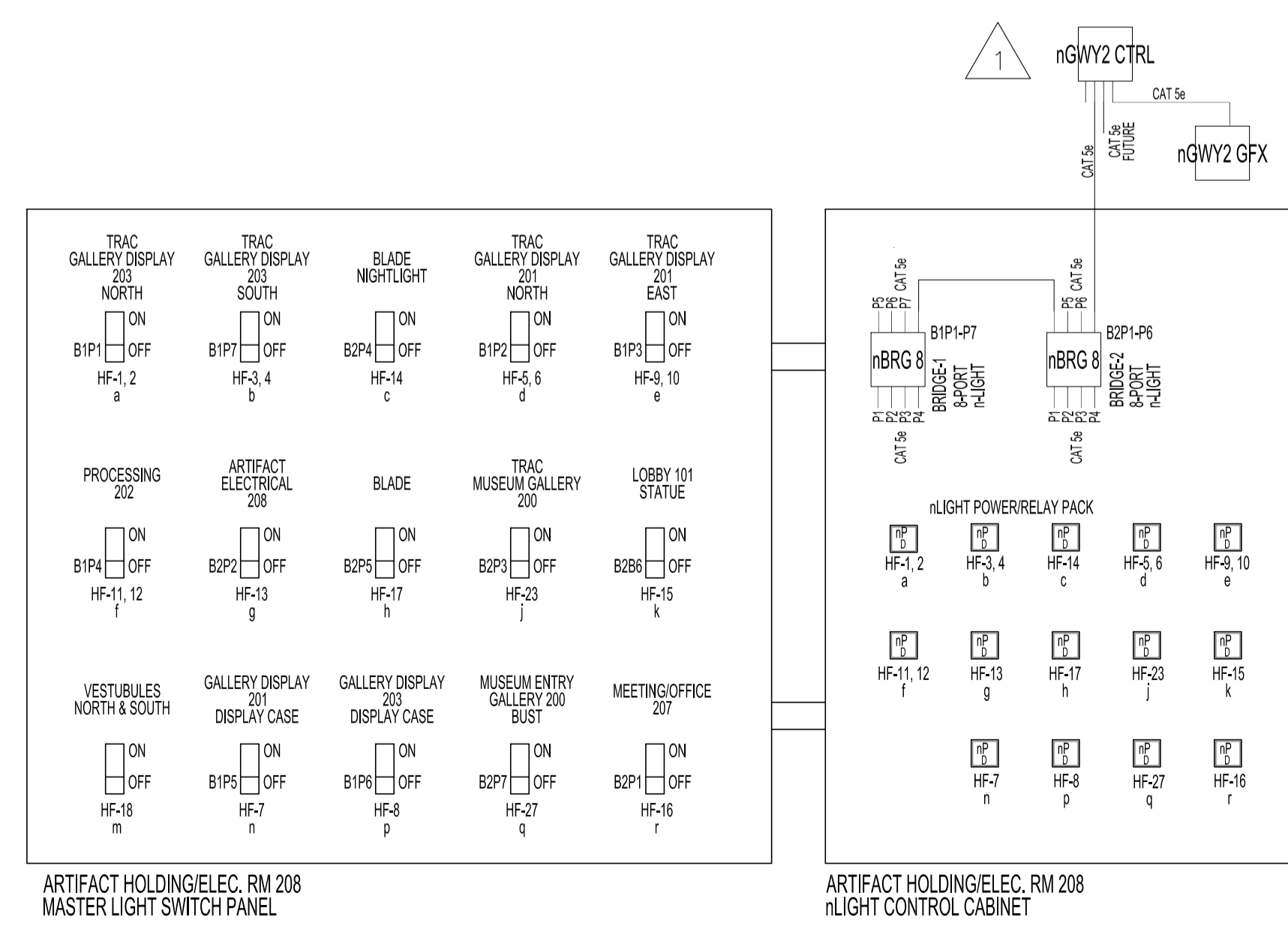
ALSO SEE NOTES & SPECIFICATIONS. ALL WIRING & CABLING IN CEILING SPACE SHALL BE PLENUM RATED AS PER LATEST CEC.

NOTE: ORIENTATE 2'x2' LUMINAIRE WITH LENGTH OF DIFFUSER PERPENDICULAR TO LONGEST LENGTH OF ROOM OR AREA.

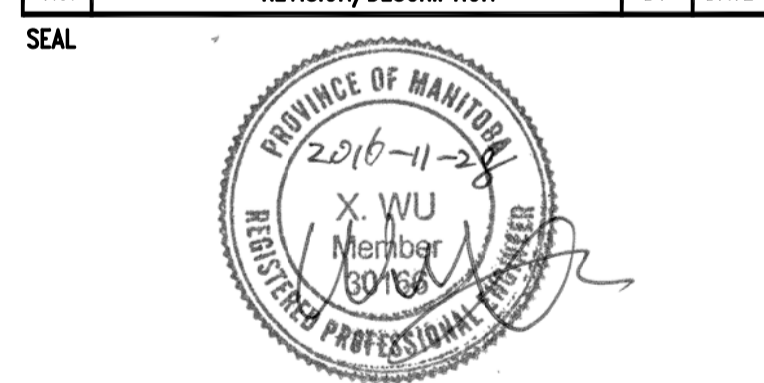
- PROVIDE 120V, 2-CIRCUIT/2-NEUTRAL TRAC SYSTEM IN LINEAR CONFIGURATION & DAISY WIRING AS SHOWN. ROUTE WIRING IN EMT IN A NEAT PARALLEL & PERPENDICULAR ORIENTATION TO STRUCTURE - FASTEN EMT AGAINST UNDERSIDE OF ROOF DECK.
  - MOUNT TRAC SYSTEM CENTERED, BETWEEN BOTTOM CHORD & UNDERSIDE OF OWSJ AT 12 FEET AFF (TOP OF TRAC). MOUNT SECURELY WITH PRE-FINISHED MATTE BLACK 3/8" UNC THREADED ROD ASSEMBLY WITH CLAMPING PLATES & DOUBLE NUTS. SPACE PRE-FINISHED MATTE BLACK 3/8" THREADED ROD ASSEMBLY EVERY 4 FEET.
- MOUNT TO UNDERSIDE OF FINISHED CEILING. RELOCATE DIRECT CONNECTION BOXES TO NEW CEILING & WIRE TO CEILING MOUNTED, OS-1, THEN TO LUMINAIRES.
- PROVIDE FLUSH MOUNT DIRECT CONNECTION BOX TO NEW WALL ABOVE NEW DISPLAY CASE. LOCATION SHALL NOT BE IN LINE OF SIGHT.
- CONFIRM LOCATION OF LUMINAIRES IN DISPLAY CASE & COORDINATE DISPLAY CASE CUTOUPS WITH CONTRACT ADMINISTRATOR.
- REPLACE EXISTING WITH NEW, AS SHOWN.
- PROVIDE LUMINAIRE EQUALLY SPACED FROM DISPLAY CENTER & WIRING IN CONCEALED ORIENTATION TO USE OF WALL RECESS FOR DISPLAY.
- PROVIDE OS-1, WIRE FOR LOCAL LIGHTING CONTROL.
- PROVIDE OS-3, SWITCH, WIRE FOR LOCAL LIGHTING CONTROL.
- PROVIDE WALL MOUNTED GRAPHIC WALLPOD TO DAISY CHAIN TO nLIGHT CONTROL PANEL WITH PLENUM RATED CAT5e, COLOUR WHITE TO BRIDGE & GATEWAY. REFER TO DATA CABLING SPECIFICATION DRAWING FOR BUNDLING, SUPPORT & ROUTING. AFFIX nLIGHT LUMINAIRE NETWORK ID STICKER TO LUMINAIRE REFLECTOR (FINISH SPACE SIDE) & ALSO RECORD ON DRAWING FOR PROGRAMMING nLIGHT SYSTEM.
- PROGRAM GRAPHIC WALLPOD TO PROVIDE SCENE CONTROLS AS PER TABLE 1.
  - REUSE EXISTING LIGHTING CONTROLLER CABINET, IF NOT REUSABLE, REPLACE WITH A NEW LOCKABLE RECESS MASTER LIGHT SWITCH CABINET & PROVIDE A NEW CONTROLLER CABINET TO HOUSE nPP16D (POWER/RELAY PACKS) CONNECTED TO APPROPRIATE LIGHTING CIRCUITS & nLIGHT LIGHTING CONTROLS, AS SHOWN, WITH POWER SUPPLY, PS150. CONNECT BRIDGE WITH CAT5e TO GATEWAY. MOUNT POWER SUPPLY & BRIDGE UNIT INSIDE CABINET. CONFIRM CABINET COMPONENT ARRANGEMENT WITH CONTRACT ADMINISTRATOR.
  - PROVIDE nLIGHT GATEWAY FOR TIME-BASED CONTROL OF nLIGHT NETWORK & ETHERNET INTERFACE FOR LOCAL LIGHTING CONTROL.
    - PROVIDE SETUP, PROGRAMMING OF nLIGHT ENABLE LUMINAIRES & nLIGHT DIMMING PACK CONTROLS (nPS80EZ) WITH ASSISTANCE (IN-CONTRACT) FROM RD SALES, WINNIPEG.
    - COMMISSIONING (IN-CONTRACT) TO BE COMPLETED BY RD SALES, WINNIPEG.
- MOUNT ONTO BOTTOM OWSJ CHORD, WIRE TO DIRECT CONNECTION BOX TO OS-1 (MOUNT TO BOTTOM OF OWSJ CHORD) THEN TO LUMINAIRES.

TABLE 1. GRAPHIC WALLPOD SCENES				
AREA	MODE 1	MODE 2	MODE 3	MODE 4
BLADE, LOBBY 101	100%	50%	25%	0%
ENTRY/GALLERY SPACE 200	100%	50%	25%	0%
GALLERY DISPLAY 201	100%	50%	25%	0%
GALLERY DISPLAY 203	100%	50%	25%	0%
PROCESSING RM. 202	100%	50%	25%	0%
ARTIFACT HOLDING/ELEC 208	100%	50%	25%	0%
BLADE, STATUE	100%	50%	25%	0%
BLADE, BUST	100%	50%	25%	0%
DISPLAY CASE, NORTH	100%	50%	25%	0%
DISPLAY CASE, SOUTH	100%	50%	25%	0%
MEETING/OFFICE 207	100%	50%	25%	0%

NOTES: REFER TO DRAWING E1, NOTES.



No.	REVISION/DESCRIPTION	BY	DATE
2	ISSUED FOR ADDENDUM No:2	DTA	2016.12.08
1	ISSUED FOR ADDENDUM No:1	DTA	2016.12.06
0	ISSUED FOR CONSTRUCTION.	DTA	2016.11.28



DRAWN DTA  
DATE 2016.11.18  
CHECKED USER  
DESIGNED DTA  
APPROVED

THE CITY OF WINNIPEG  
PLANNING, PROPERTY AND  
DEVELOPMENT DEPARTMENT  
MUNICIPAL ACCOMMODATIONS DIVISION  
3-65 GARRY STREET, R3C 4K4

PROJECT  
AQUATIC HALL OF FAME MUSEUM  
ROYAL GALLERY SPACE RESTORATION

25 POSEIDON BAY

SHEET TITLE  
REFLECTED CEILING PLAN  
ELECTRICAL - RENOVATION  
LIGHTING

SCALE 1/8" = 1'-0"  
PROJECT No: 2014-148  
SHEET No: E5R2

BID OPP # 698-2016  
DRAWING SHEET SIZE: A1 (841mm x 594mm) PLOT 1:1