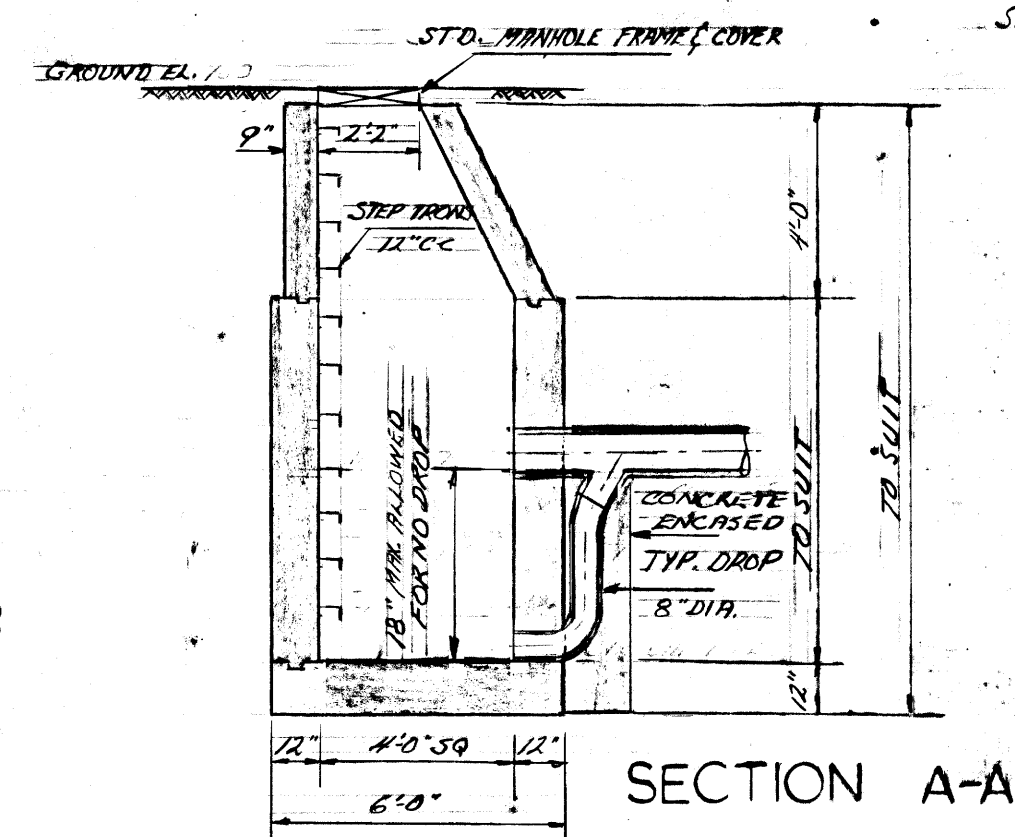
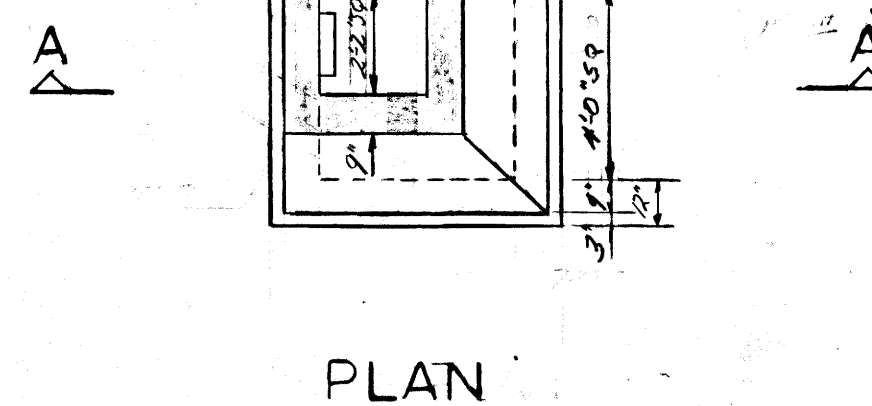
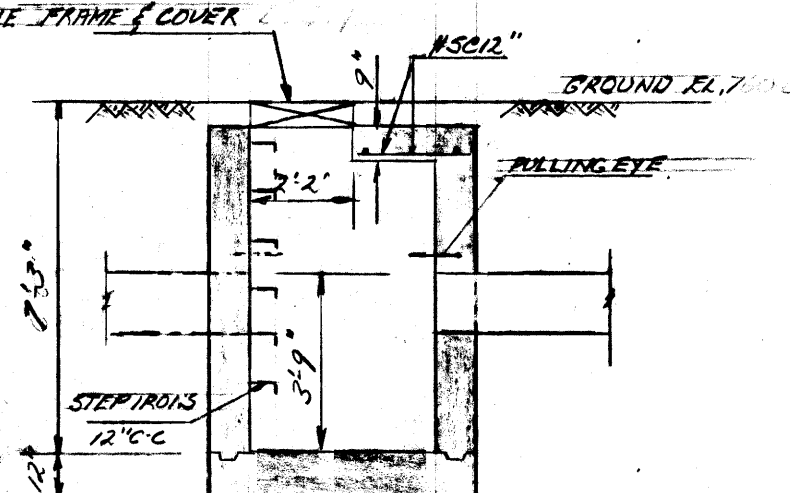
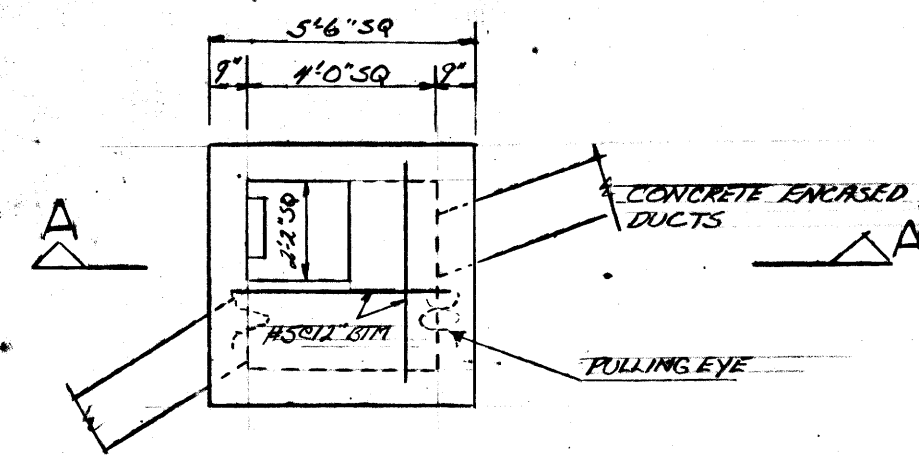


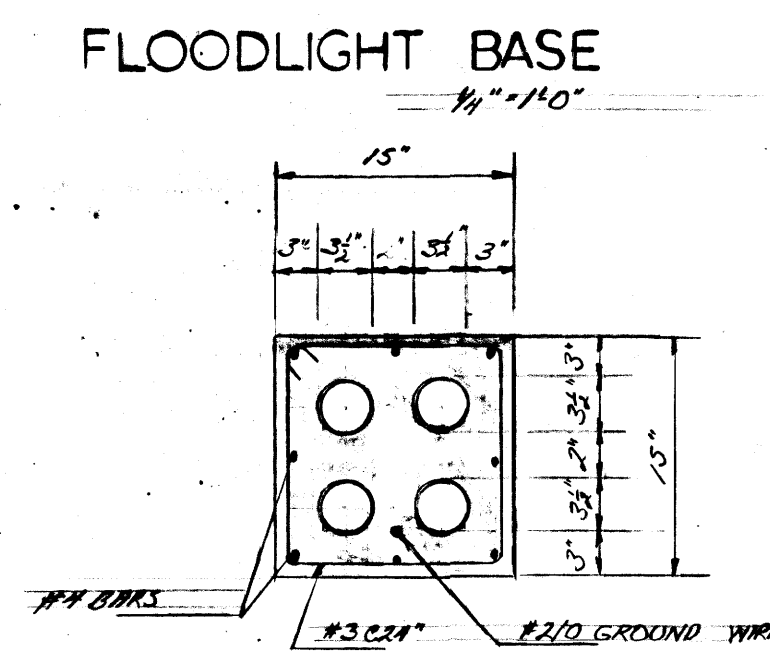
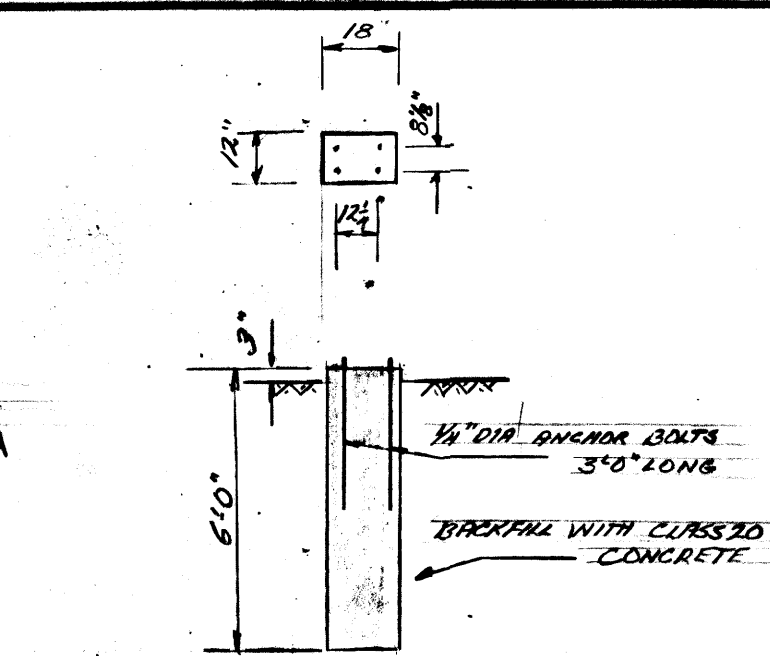
CATCH BASIN DETAILS
1/4" = 1'-0"



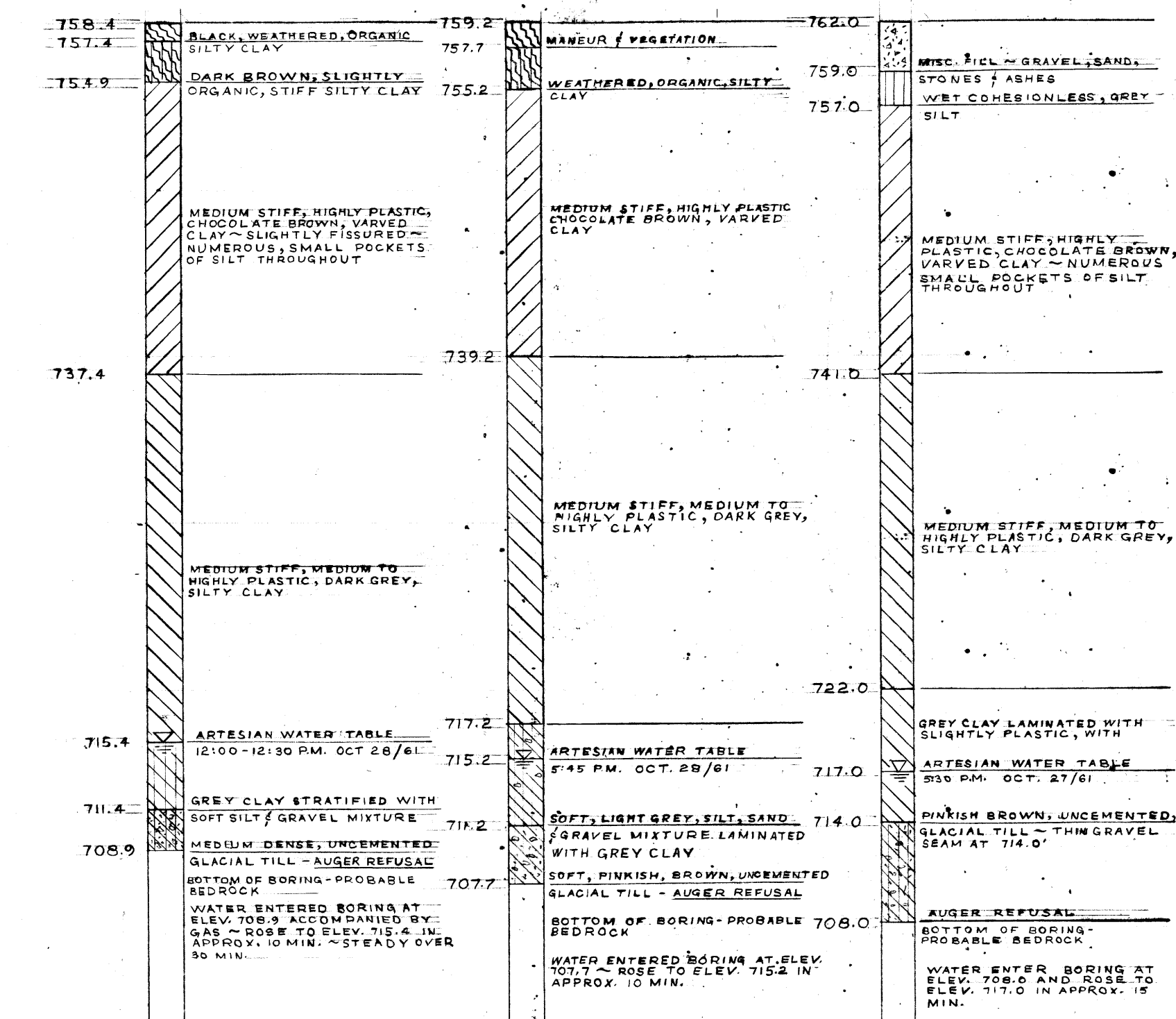
MANHOLE DETAILS
1/4" = 1'-0"



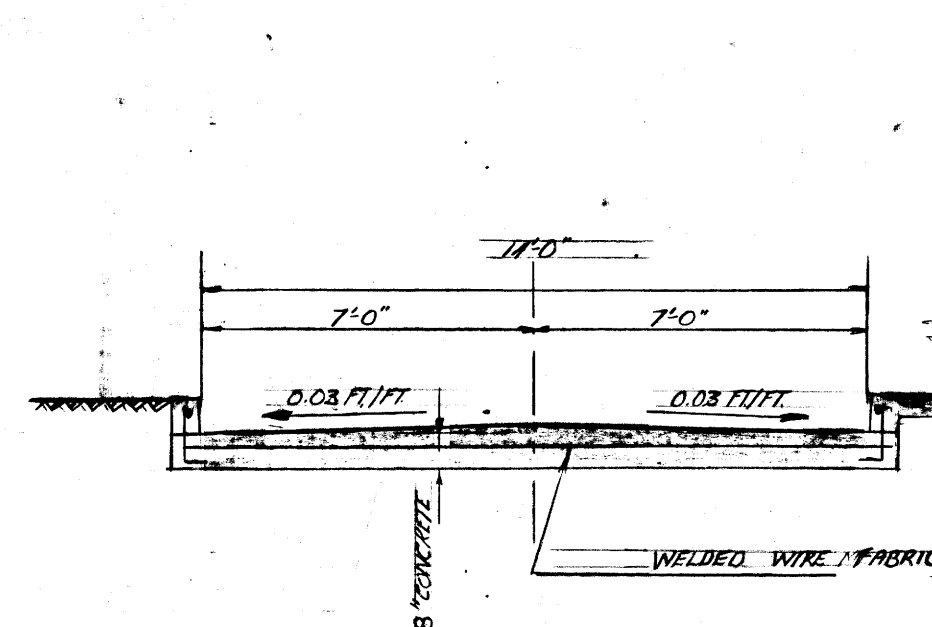
ELECTRICAL MANHOLE
1/4" = 1'-0"



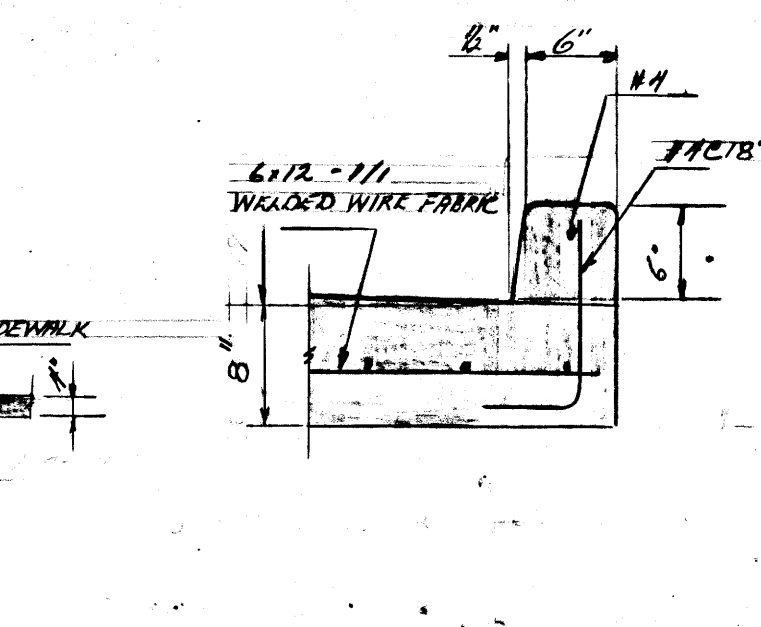
CONCRETE ENCASED ELECTRICAL DUCTS
1/2" = 1'-0"



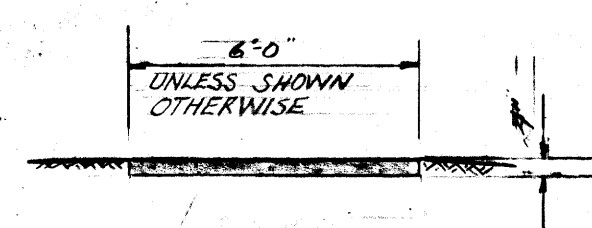
BORE HOLE DATA



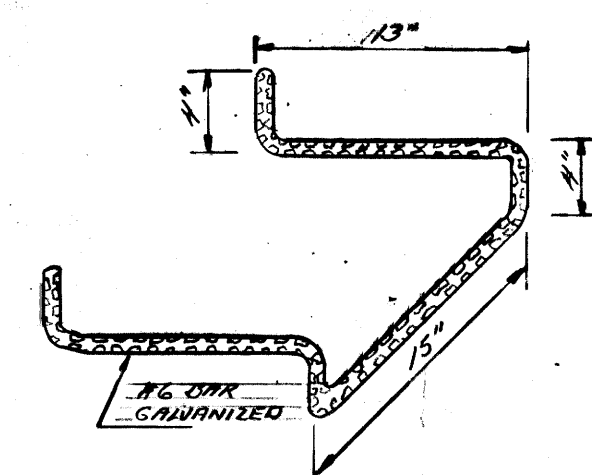
CONCRETE ROADWAY
1/4" = 1'-0"



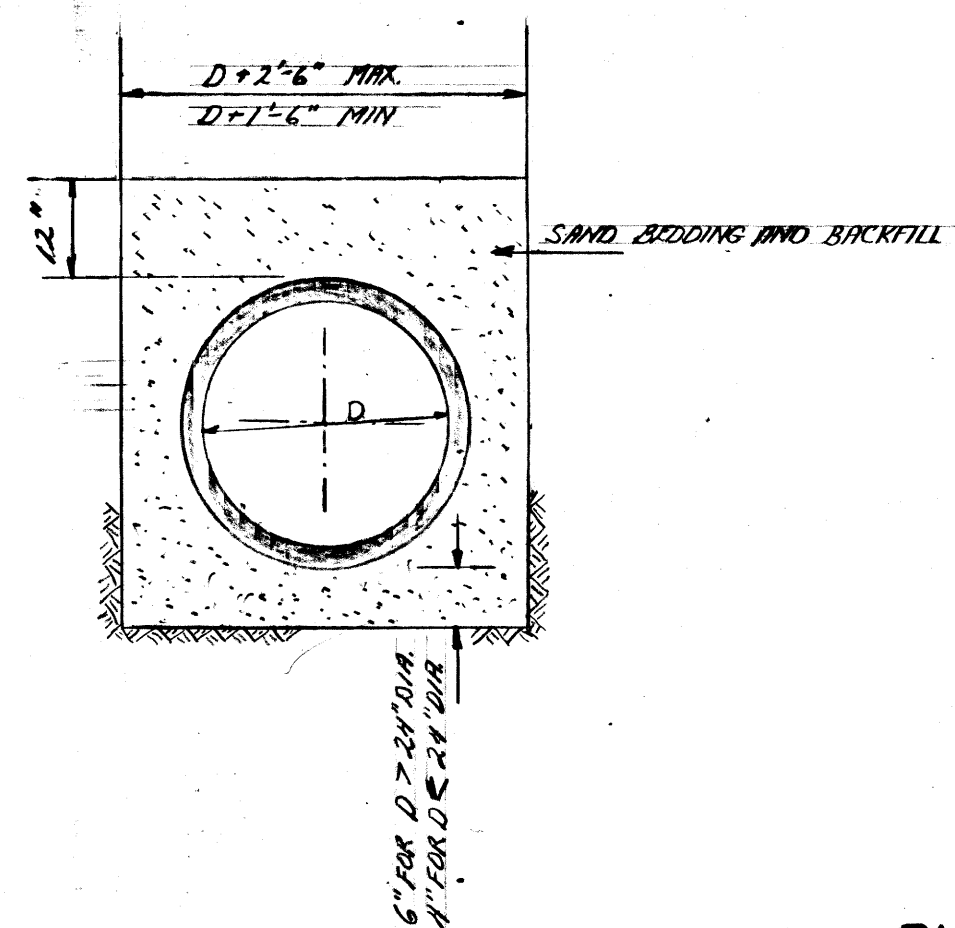
CURB DETAILS
1" = 1'-0"



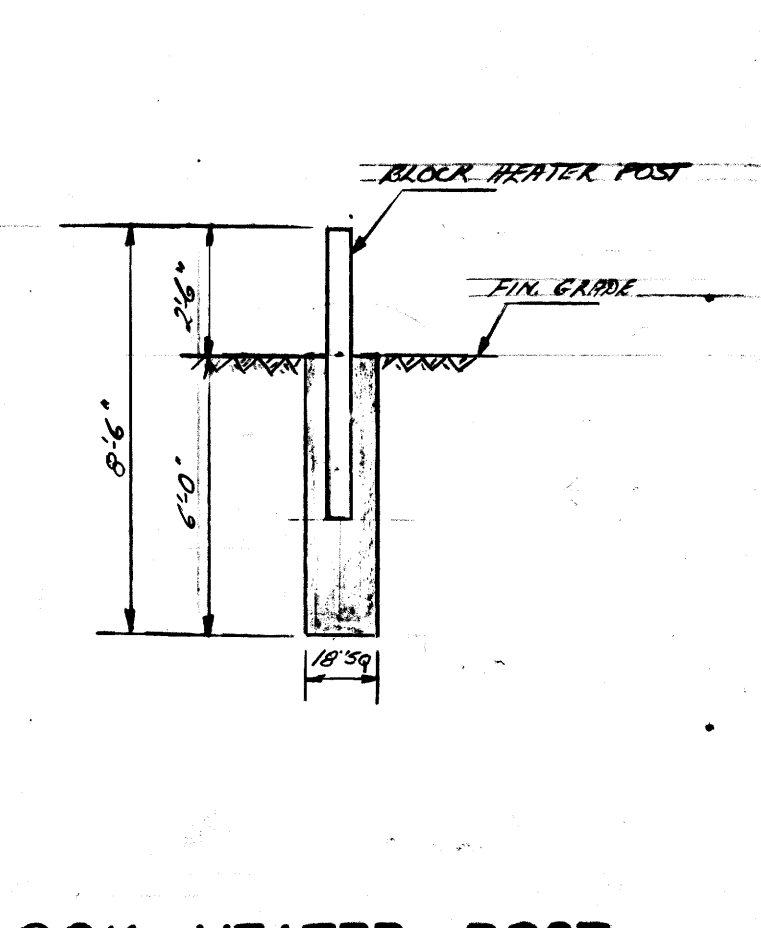
SIDEWALK DETAILS
1/4" = 1'-0"



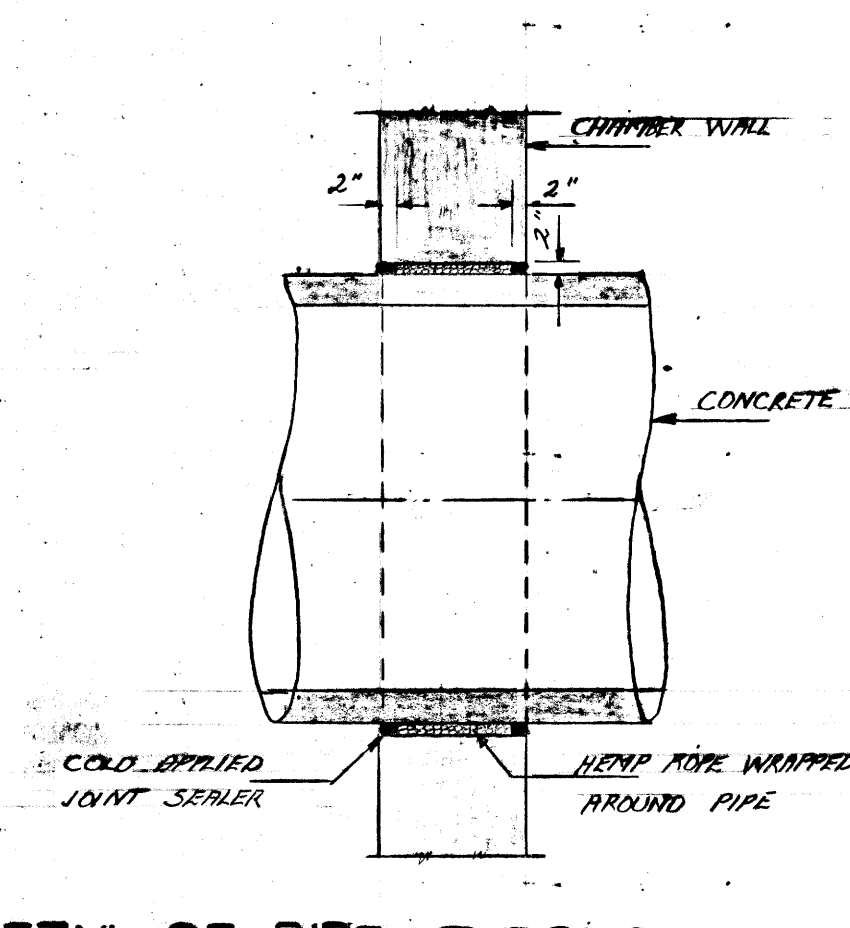
STEP IRON DETAIL



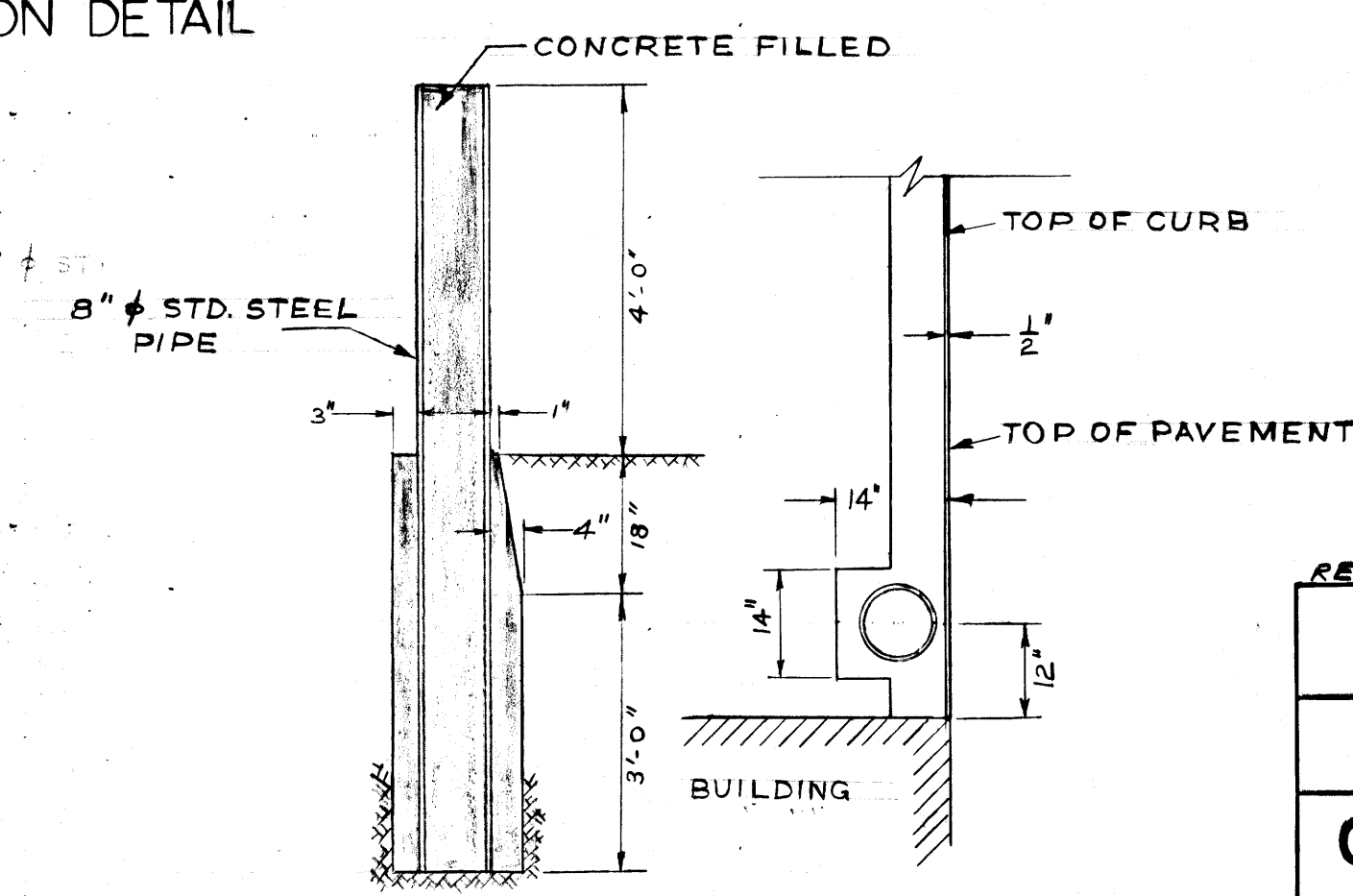
BEDDING DETAILS
NOT TO SCALE



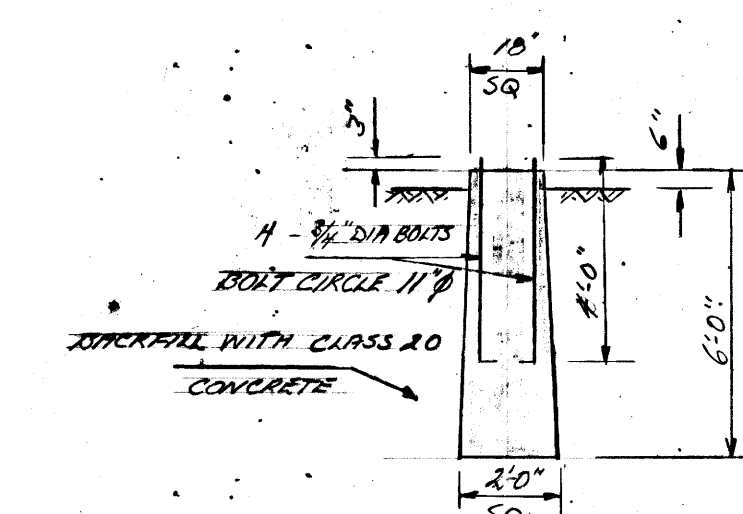
BLOCK HEATER POST
1/2" = 1'-0"



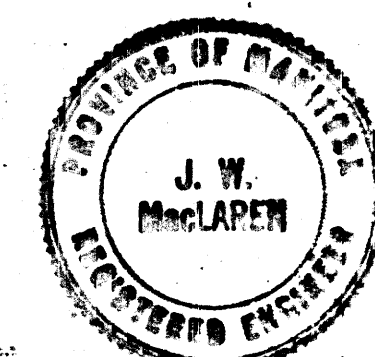
DETAIL OF PIPE THROUGH WALL
NOT TO SCALE



ELEVATION PLAN
BUMPER POST DETAIL
1/2" = 1'-0"



LIGHT STANDARD BASE
1/4" = 1'-0"



REVISED AS BUILT, JUNE-1965	
THE METROPOLITAN CORPORATION OF GREATER WINNIPEG WATERWORKS AND WASTE DISPOSAL DIVISION	
METRO EAST PUMPING STATION AND RESERVOIR	
CONTRACT A - PUMPING STATION MISCELLANEOUS OUTSIDE DETAILS	
 JAMES F. MacLAREN ASSOCIATES ENGINEERS TORONTO	APPROVED DESIGN ENGINEER
 TEMPLETON ENGINEERING COMPANY PROFESSIONAL ENGINEERS WINNIPEG	 ENGINEER OF WATERWORKS DIRECTOR & CHIEF ENGINEER
DATE JUNE 22, 1962	SCALE AS SHOWN
DWG. No. 40 OF 41	ME-47