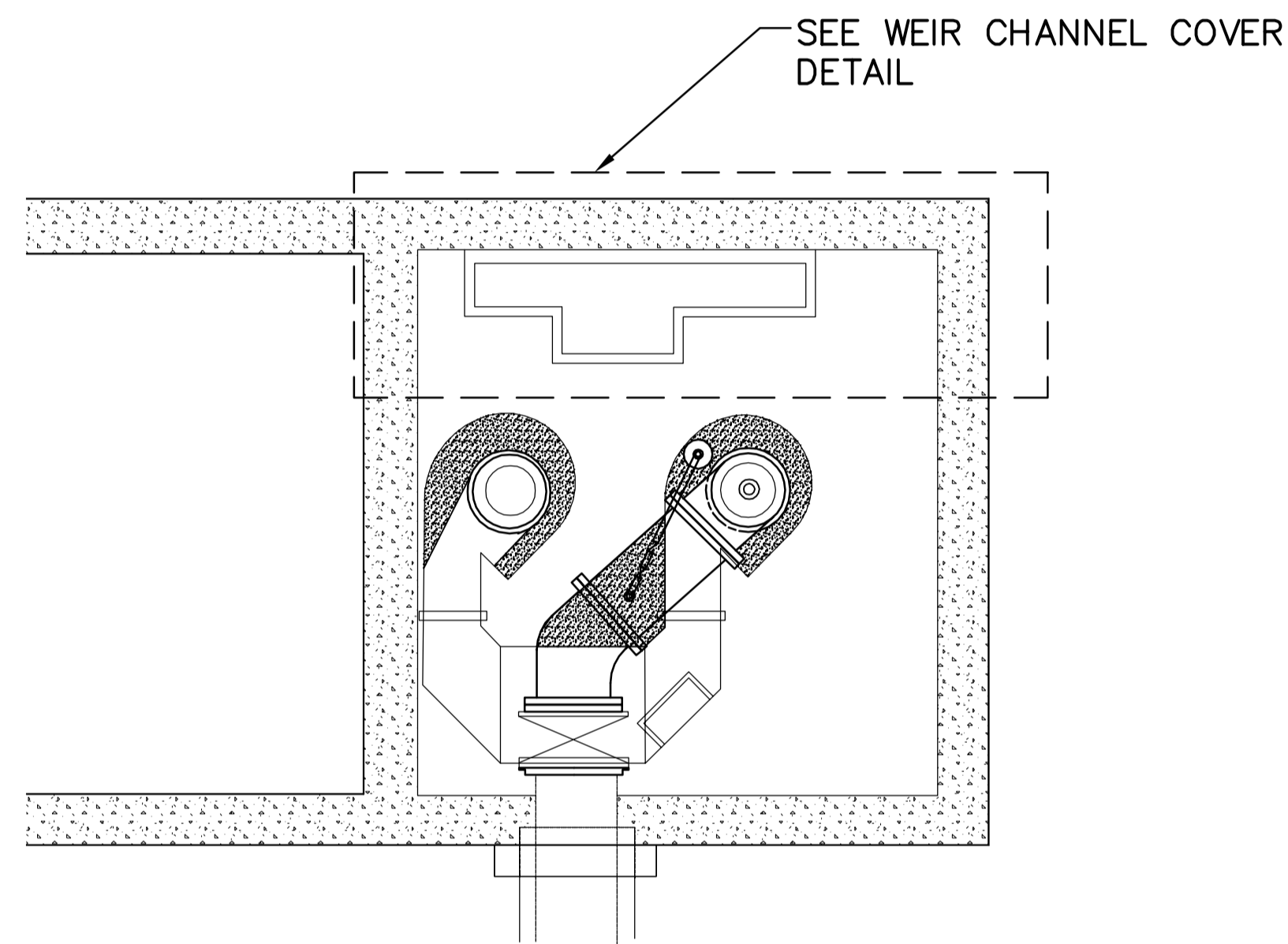
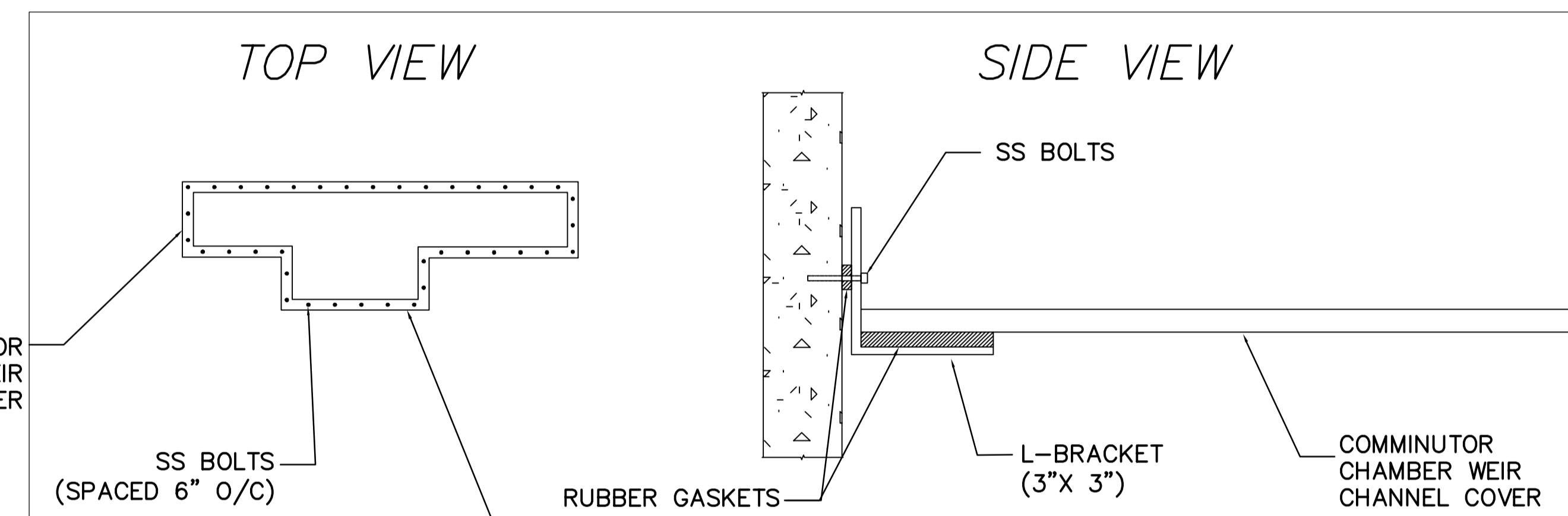


CONSTRUCTION NOTES:

1. INSTALL MECHANICAL WORKS AS INDICATED AND ACCORDING TO MANUFACTURER'S SPECIFICATIONS.
2. CONTRACTOR TO CONFIRM ALL DIMENSIONS.
3. ALL ANCHOR BOLTS TO BE ASTM A276 TYPE 316 SS.

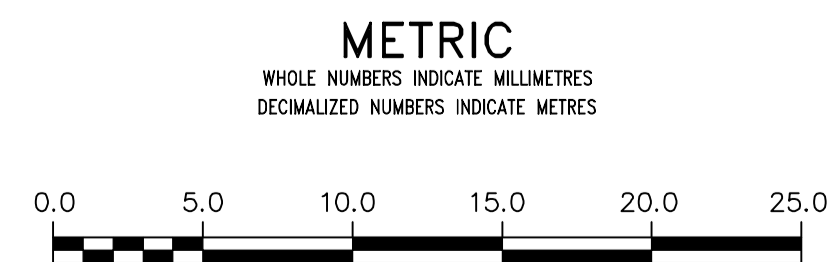


TOP VIEW



WEIR CHANNEL COVER DETAIL  
(TYPICAL)  
NTS

WEIR CHANNEL COVER TO BE CHECKERED STAINLESS STEEL, MECHANICALLY SEALED, AIRTIGHT WITH SS BOLTS AND RUBBER GASKET APPROVED FOR USE WITH SEWAGE. SS COVER MUST HOLD 250 LBS LIVE LOAD.



LOCATION APPROVED UNDERGROUND STRUCTURES	
SUPV. U/G STRUCTURES COMMITTEE	DATE
NOTE: LOCATION OF UNDERGROUND STRUCTURES AS SHOWN ARE BASED ON THE BEST INFORMATION AVAILABLE BUT NO GUARANTEE IS GIVEN THAT ALL EXISTING UTILITIES ARE SHOWN OR THAT THE GIVEN LOCATIONS ARE EXACT. CONFIRMATION OF EXISTENCE AND EXACT LOCATION OF ALL UTILITIES MUST BE OBTAINED FROM THE INDIVIDUAL UTILITIES BEFORE PROCEEDING WITH CONSTRUCTION.	

B.M.	ELEV.			
1	APPENDED DETAIL DRAWING	15/10/05	RS	
NO.	REVISIONS	DATE	BY	

DESIGNED BY	NC	CHECKED BY	NC
DRAWN BY	RS	APPROVED BY	NC
SCALE:		RELEASED FOR CONSTRUCTION	
HORIZONTAL	NTS		
VERTICAL	NTS		
DATE	2015 10 05	DATE	

ENGINEER'S SEAL
ORIGINAL SIGNED BY N.M. CONTI 15/10/05
CONSULTANT DRAWING NUMBER

**THE CITY OF WINNIPEG**  
WATER AND WASTE DEPARTMENT  
ENGINEERING DIVISION

2015 COMMINUTOR CHAMBER PIPING & VALVE UPGRADES  
**WEIR CHANNEL COVER DETAIL**  
COMMINUTOR CHAMBER

SHEET 12 OF 12  
CITY DRAWING NUMBER  
1-0127L-G0003-001

PLOT DATE: 2015 10 05

BID OPPORTUNITY: 822-2015

FILE PATH: R:\DRAWINGS\SEWER\2015 RENEWALS\LIFT STATIONS\ WEIR DETAIL.dwg