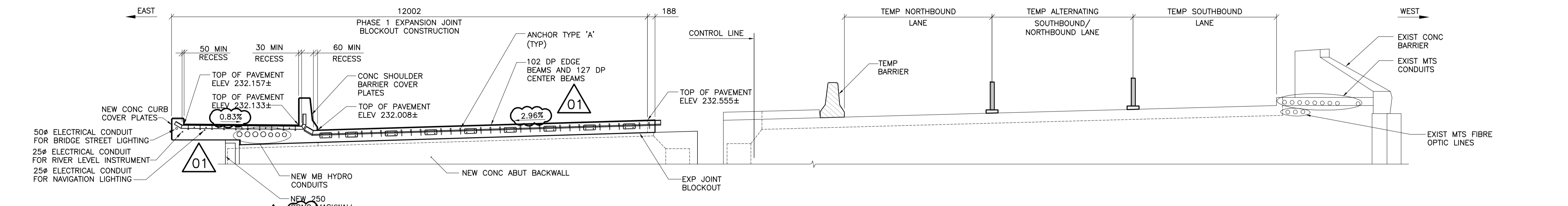
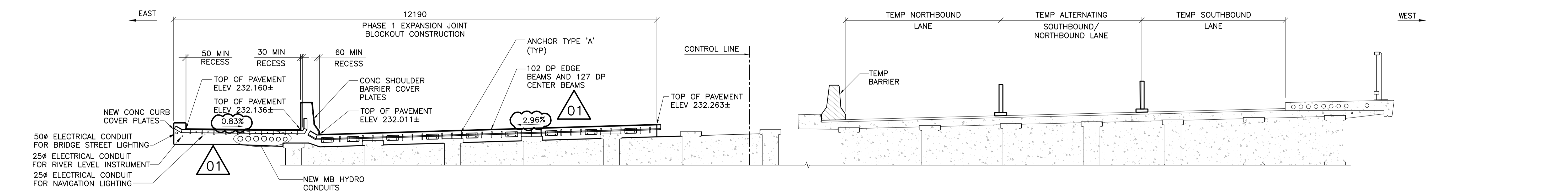


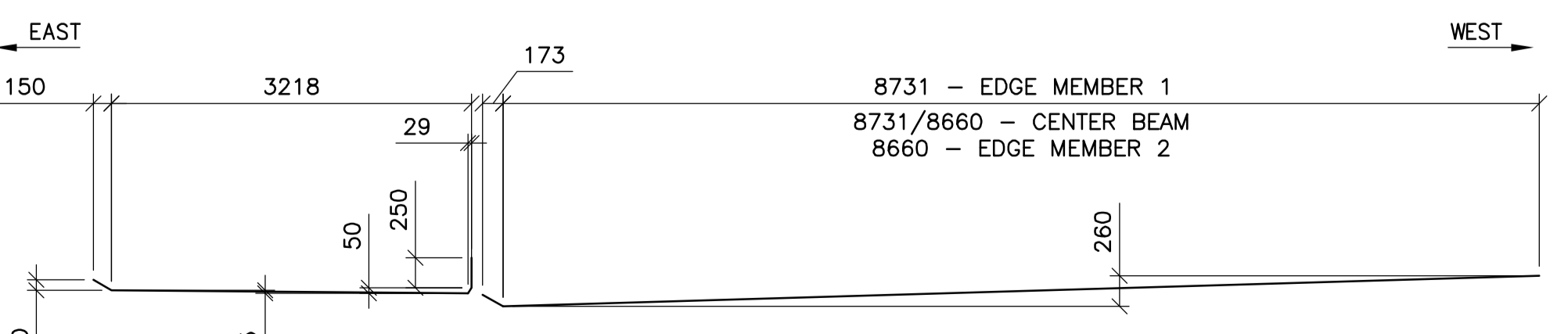
1 EXPANSION JOINT AT SOUTH ABUTMENT - PHASE 1
1 : 50



2 ELEVATION - SOUTH ABUTMENT PHASE 1 CONSTRUCTION
1 : 50



3 ELEVATION - BRIDGE SECTION PHASE 1
1 : 50



4 PROFILE DETAIL - EDGE AND CENTRE BEAMS - PHASE 1
1 : 50



B.M. ELEV.	F.B.	DATE	BY
01	ISSUED FOR ADDENDUM 1	11.03.07	VB
00	ISSUED FOR TENDER	11.02.18	VB
NO.	REVISIONS	DATE	BY

WARDROP
ATETRA TECH COMPANY

DESIGNED BY: K.Y.
CHECKED BY: V.B.
DRAWN BY: E.M.M.
APPROVED BY: R.H.W.

HOR. SCALE: AS NOTED
VERTICAL: AS NOTED

RELEASED FOR CONSTRUCTION ORIGINAL SIGNED DATE: 11.02.18
DATE: 10.12.03

PROVINCE OF MANITOBA
ORIGINAL SIGNED 11.02.18
V. BANTHIA
Member 23477
REGISTERED PROFESSIONAL ENGINEER

THE CITY OF WINNIPEG
PUBLIC WORKS DEPARTMENT
ENGINEERING DIVISION

OSBORNE STREET BRIDGE
REHABILITATION & RELATED WORKS

SOUTH EXPANSION JOINT -
PHASE 1 CONSTRUCTION

CITY DRAWING NUMBER
B109-11-103
SHEET 98 OF 131

CONSULTANT DRAWING NO.
0900070502-DWG-S0098

98