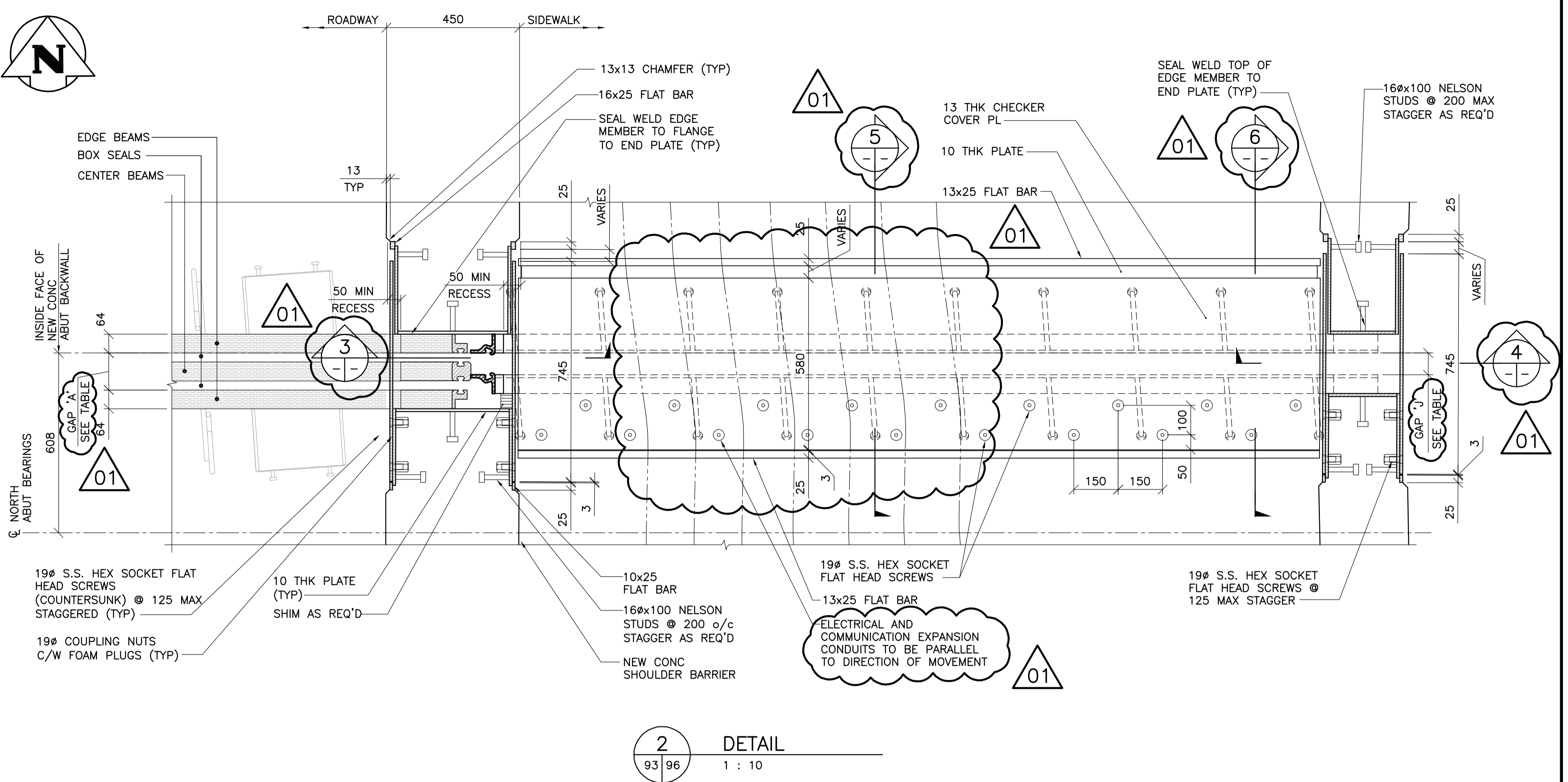
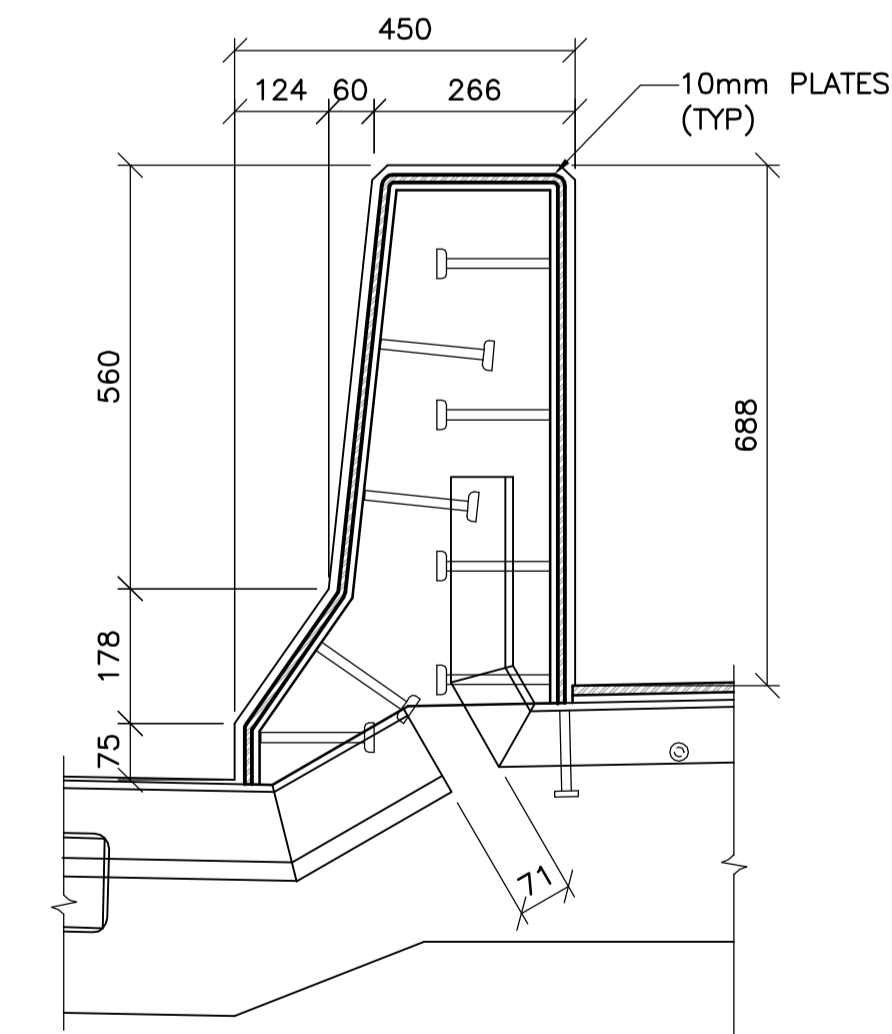


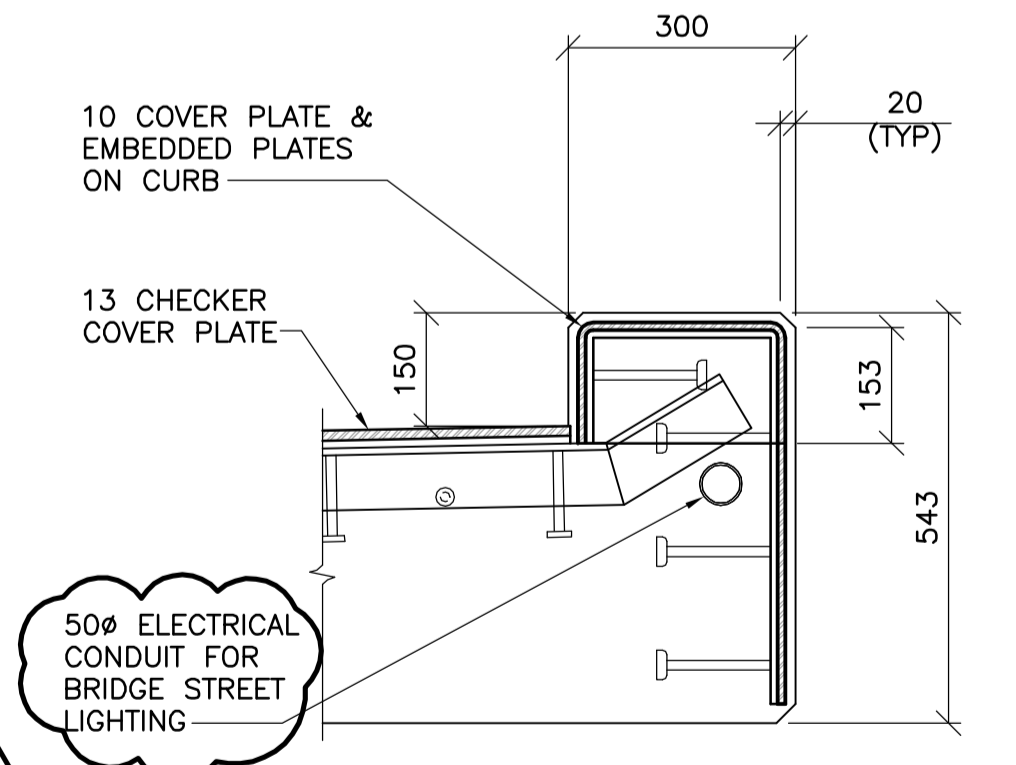
1 SECTION
1 : 10
- SHOWING EAST BARRIER AT NORTH ABUTMENT, WEST AND MEDIAN BARRIER SIMILAR SHOWN FOR 20°C



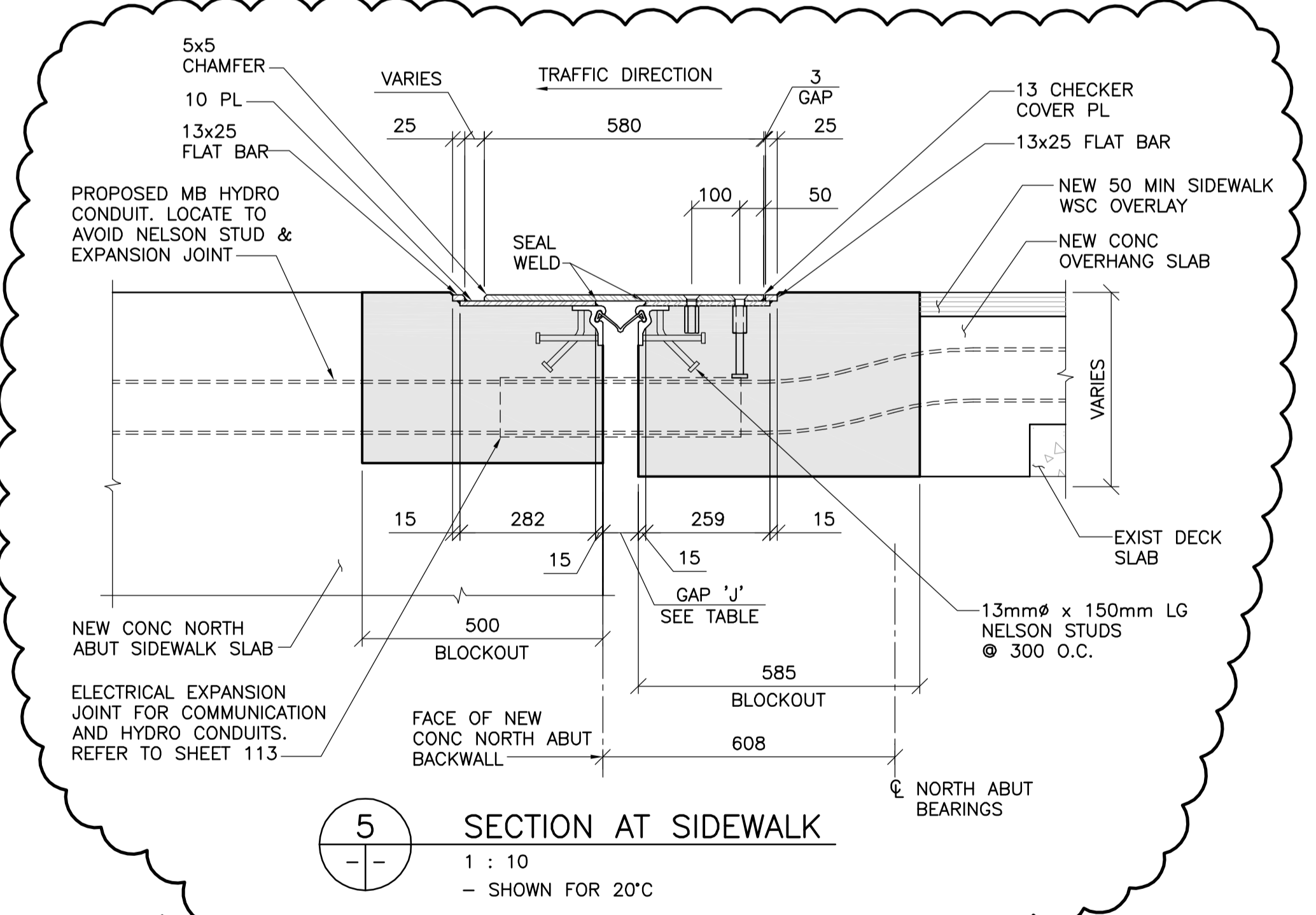
2 DETAIL
93/96 1 : 10



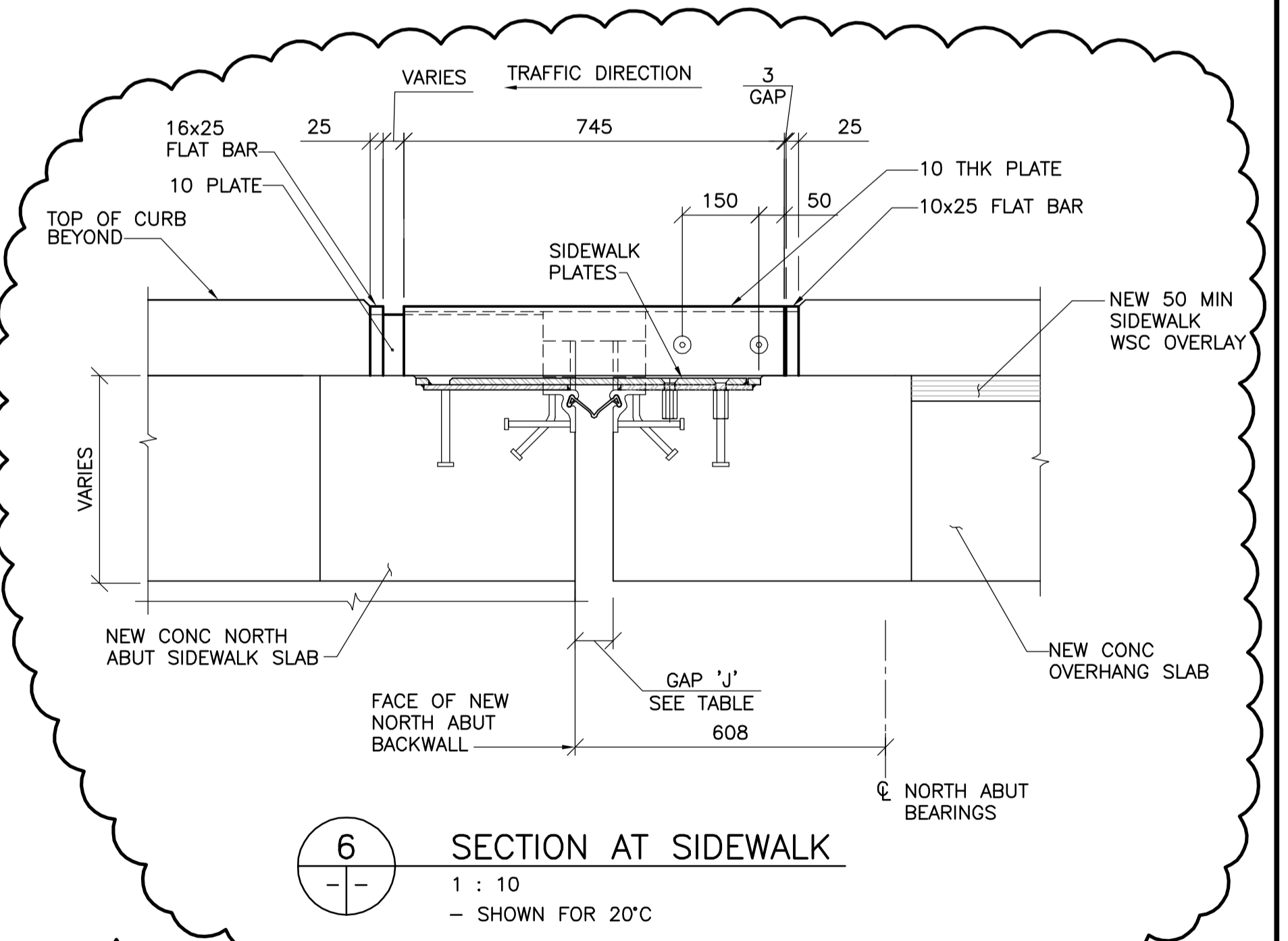
3 SECTION
1 : 10
- WABO MODULAR D600



4 SECTION
1 : 10
- SE500 STRIPSEAL



5 SECTION AT SIDEWALK
1 : 10
- SHOWN FOR 20°C



6 SECTION AT SIDEWALK
1 : 10
- SHOWN FOR 20°C



B.M. ELEV.		F.B.			
01	ISSUED FOR ADDENDUM 1	11.03.07	VB		
00	ISSUED FOR TENDER	11.02.18	VB		
NO.	REVISIONS	DATE	BY		

WARDROP
ATETRA TECH COMPANY

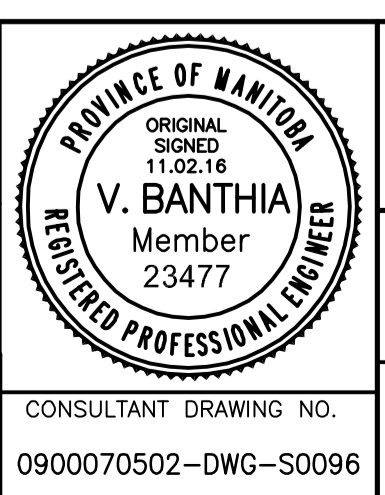
DESIGNED BY: K.Y.
CHECKED BY: V.B.

DRAWN BY: E.M.M.
APPROVED BY: R.H.W.

HOR. SCALE: AS NOTED
VERTICAL: AS NOTED

RELEASED FOR CONSTRUCTION ORIGINAL SIGNED: 11.02.18
DATE: 10.12.03

MAIT OHSLETT, P.ENG
BRIDGE PROJECT'S ENGINEER



THE CITY OF WINNIPEG
PUBLIC WORKS DEPARTMENT
ENGINEERING DIVISION

OSBORNE STREET BRIDGE
REHABILITATION & RELATED WORKS

NORTH EXPANSION JOINT

CITY DRAWING NUMBER
B109-11-101
SHEET OF 96 131

CONSULTANT DRAWING NO.
0900070502-DWG-S0096

96