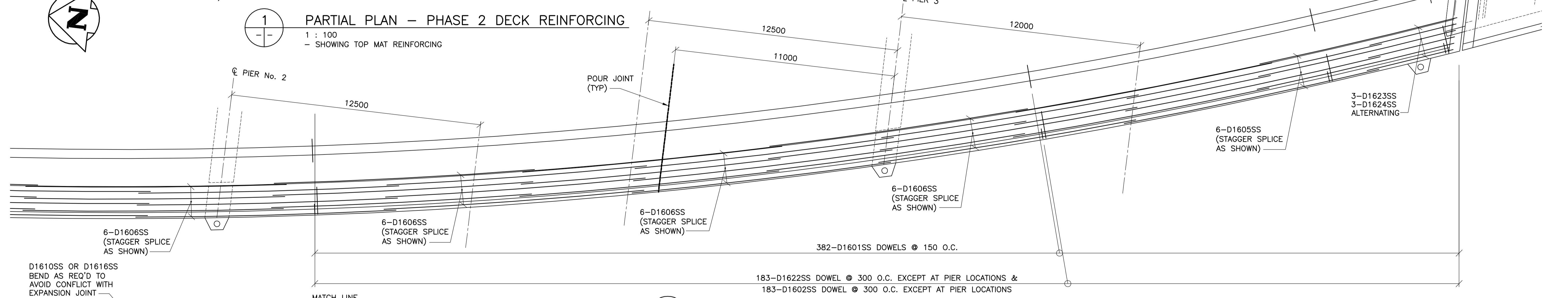
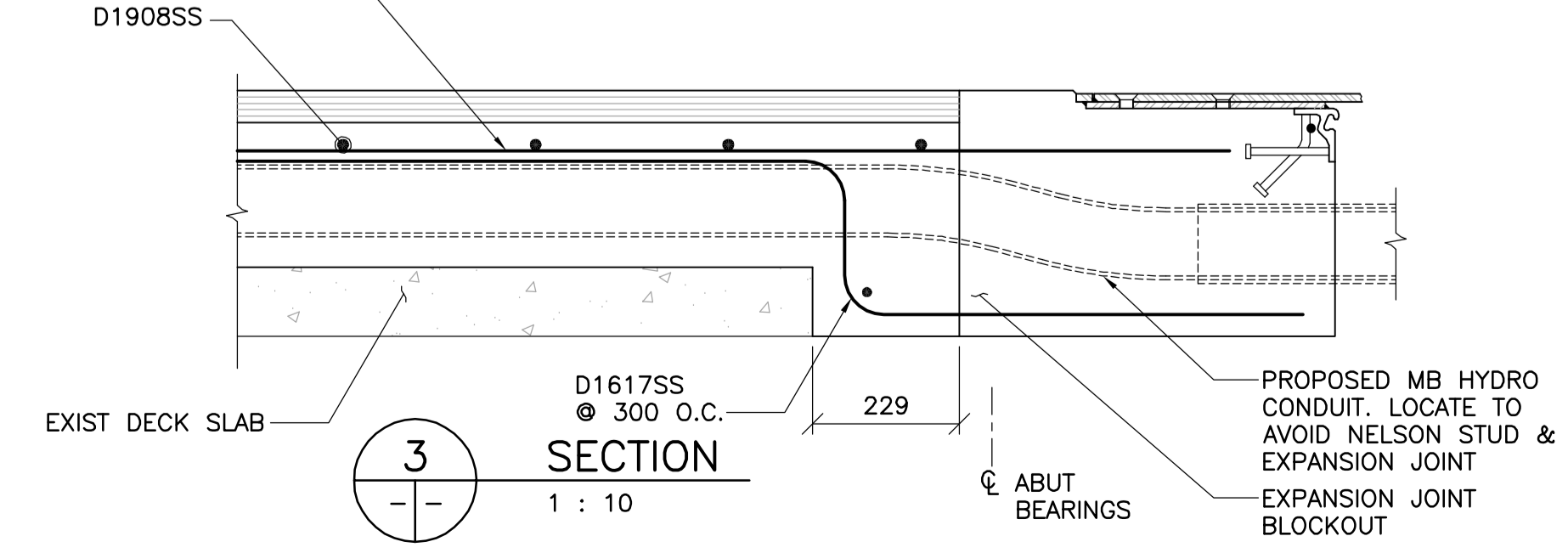


1 PARTIAL PLAN - PHASE 2 DECK REINFORCING
 1 : 100
 - SHOWING TOP MAT REINFORCING



2 NEW CONC DECK OVERHANG PLAN REINFORCING
 1 : 100
 - SHOWING BOTTOM MAT OF REINFORCEMENT



3 SECTION
 1 : 10



B.M. ELEV.	F.B.	DATE	BY
		11.03.07	EFS
		10.10.13	

WARDROP
 ATETRA TECH COMPANY

DESIGNED BY: V.B.	CHECKED BY: E.F.S.
DRAWN BY: B.M.	APPROVED BY: R.H.W.
HOR. SCALE: AS NOTED	RELEASED FOR CONSTRUCTION DATE: 11.03.07
VERTICAL: AS NOTED	ORIGINAL SIGNED DATE: 11.03.07

NO. 00 ISSUED FOR ADDENDUM 1
 NO. REVISIONS

ORIGINAL SIGNED 11.03.07

CONSULTANT DRAWING NO. 0900070502-DWG-S0079

THE CITY OF WINNIPEG
 PUBLIC WORKS DEPARTMENT
 ENGINEERING DIVISION

OSBORNE STREET BRIDGE
 REHABILITATION & RELATED WORKS

BRIDGE DECK - PHASE 2 REINFORCING

CITY DRAWING NUMBER: B109-11-084
 SHEET 79 OF 131

79