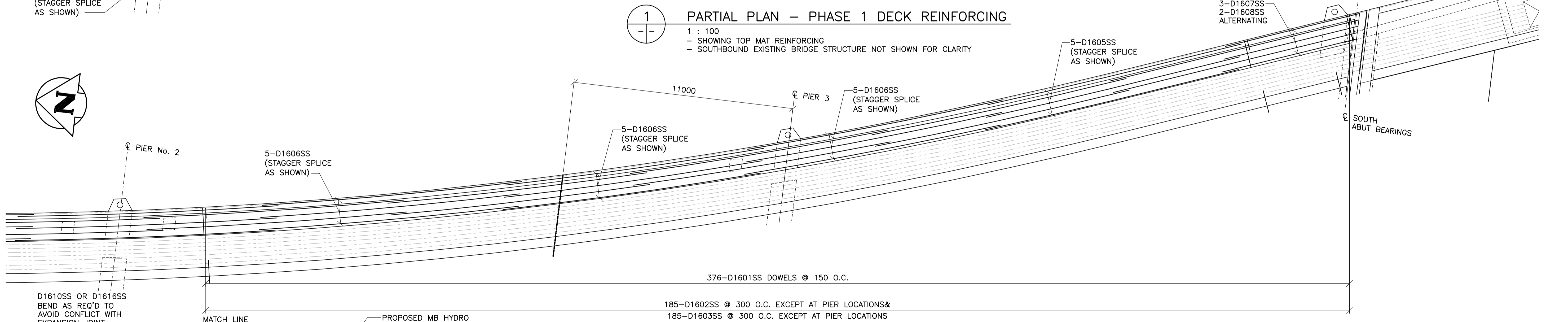
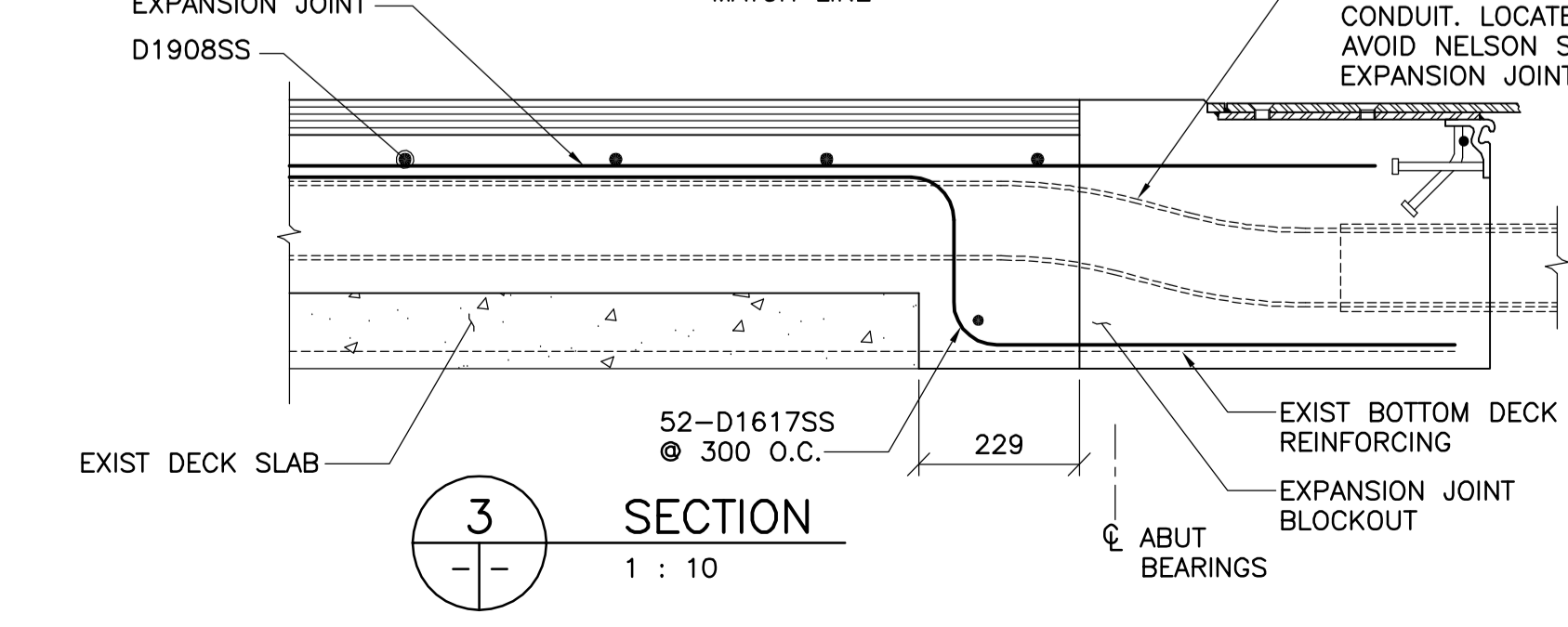


1 PARTIAL PLAN - PHASE 1 DECK REINFORCING
 1 : 100
 - SHOWING TOP MAT REINFORCING
 - SOUTHBOUND EXISTING BRIDGE STRUCTURE NOT SHOWN FOR CLARITY



2 NEW CONC DECK OVERHANG PLAN REINFORCING
 1 : 100
 - SHOWING BOTTOM MAT OF REINFORCEMENT



3 SECTION
 1 : 10



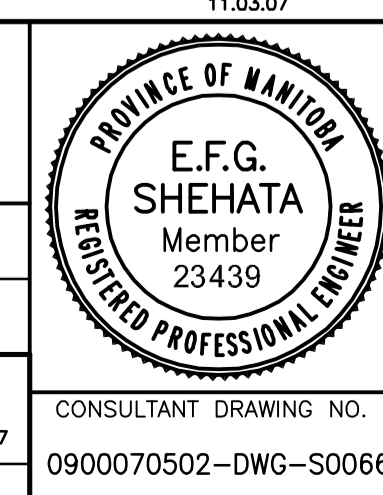
B.M. ELEV.	F.B.	DATE	BY
		11.03.07	EFS
		10.10.13	

WARDROP
 ATETRA TECH COMPANY

DESIGNED BY: V.B. CHECKED BY: E.F.S.
 DRAWN BY: B.M. APPROVED BY: R.H.W.

HOR. SCALE: AS NOTED
 VERTICAL: AS NOTED

RELEASED FOR CONSTRUCTION ORIGINAL SIGNED DATE: 11.03.07
 MAIT CHSLETT, P. ENG. BRIDGE PROJECTS ENGINEER



THE CITY OF WINNIPEG
 PUBLIC WORKS DEPARTMENT
 ENGINEERING DIVISION

OSBORNE STREET BRIDGE
 REHABILITATION & RELATED WORKS

BRIDGE DECK -
 PHASE 1 REINFORCING

CITY DRAWING NUMBER: B109-11-071
 SHEET 66 OF 131

CONSULTANT DRAWING NO.: 0900070502-DWG-S0066

66