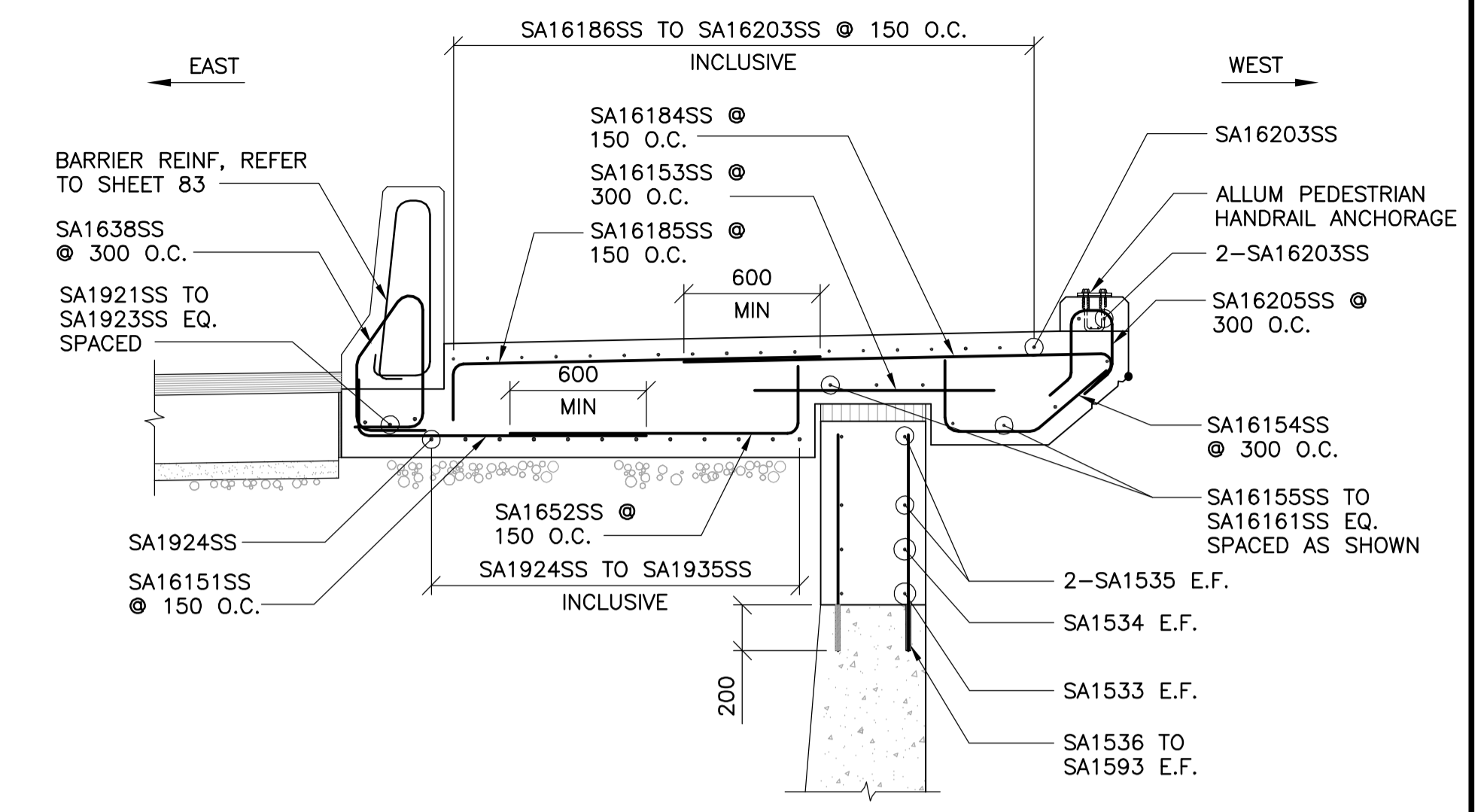
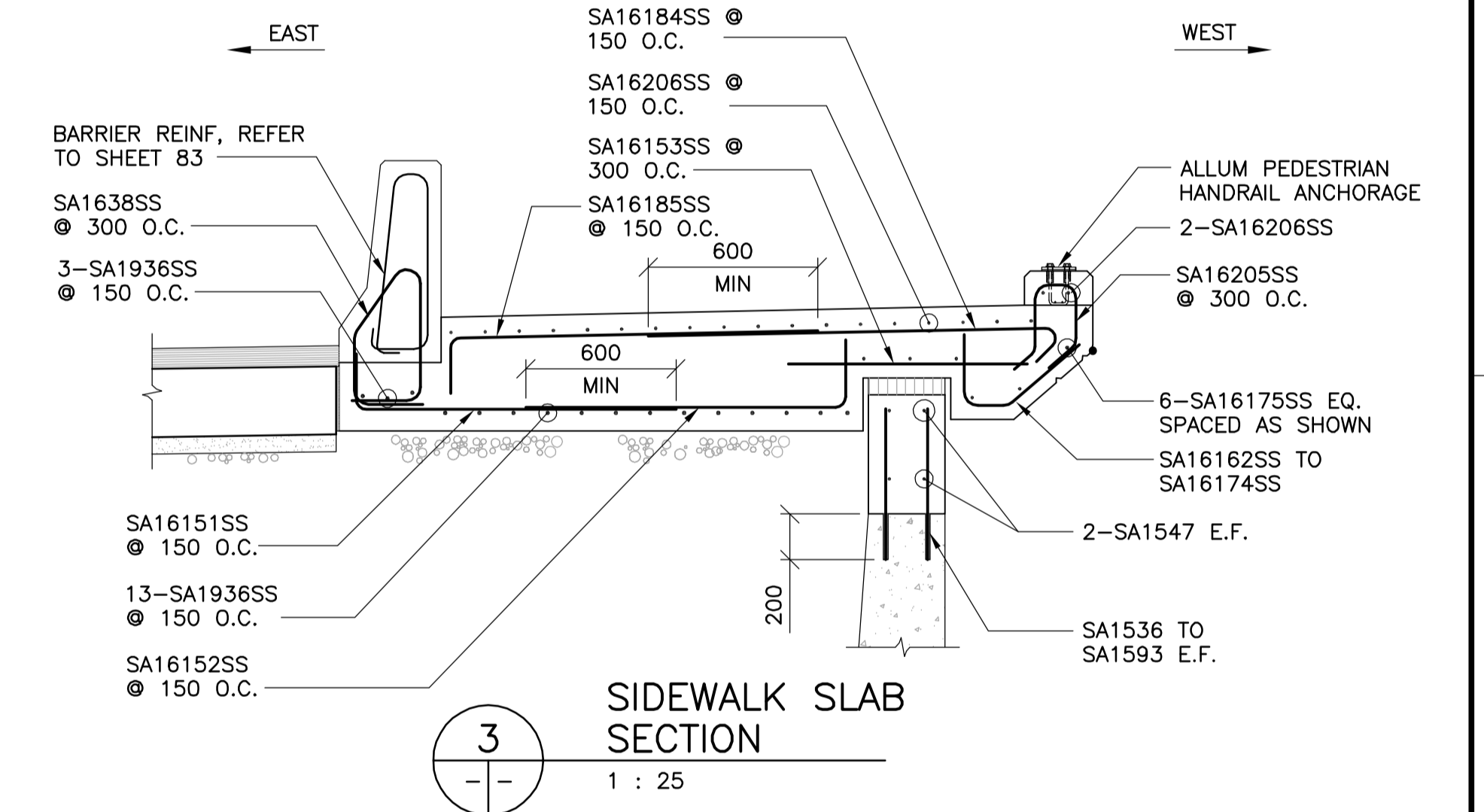


1 PLAN - SOUTH ABUTMENT PHASE 2 REINFORCING
 1 : 50
 - SHOWING TOP & BOT MAT REINFORCING



2 APPROACH SIDEWALK SLAB SECTION
 1 : 25



3 SIDEWALK SLAB SECTION
 1 : 25



B.M. ELEV.	F.B.	WARDROP ATETRA TECH COMPANY			THE CITY OF WINNIPEG PUBLIC WORKS DEPARTMENT ENGINEERING DIVISION	OSBORNE STREET BRIDGE REHABILITATION & RELATED WORKS	CITY DRAWING NUMBER B109-11-057 SHEET OF 52 131
		DRAWN BY B.M.	APPROVED BY R.H.W.	HOR. SCALE: AS NOTED	RELEASED FOR CONSTRUCTION ORIGINAL SIGNED DATE 11.03.07		
00 ISSUED FOR ADDENDUM 1	11.03.07	RHW		VERTICAL: AS NOTED	ORIGINAL SIGNED DATE 10.10.20		