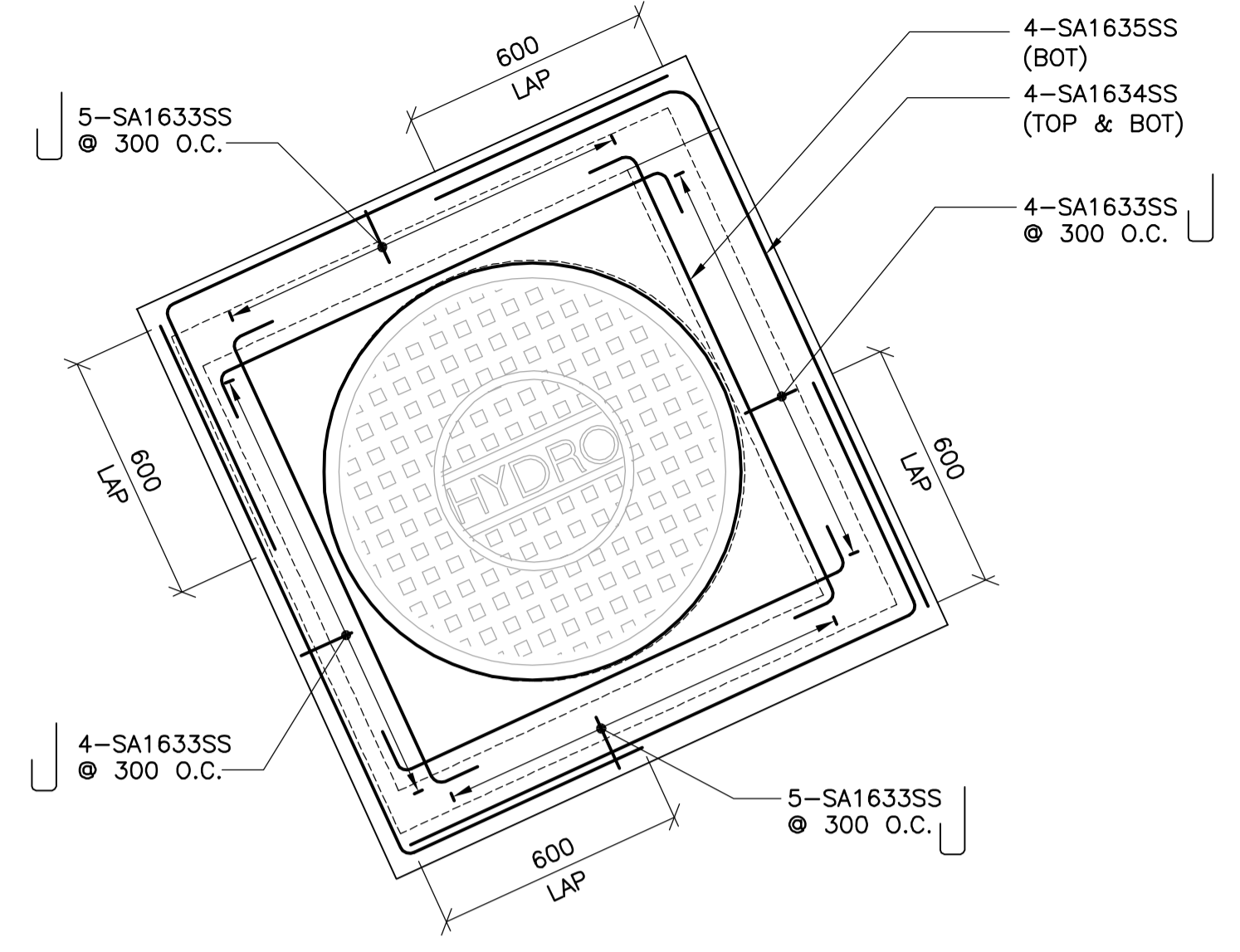
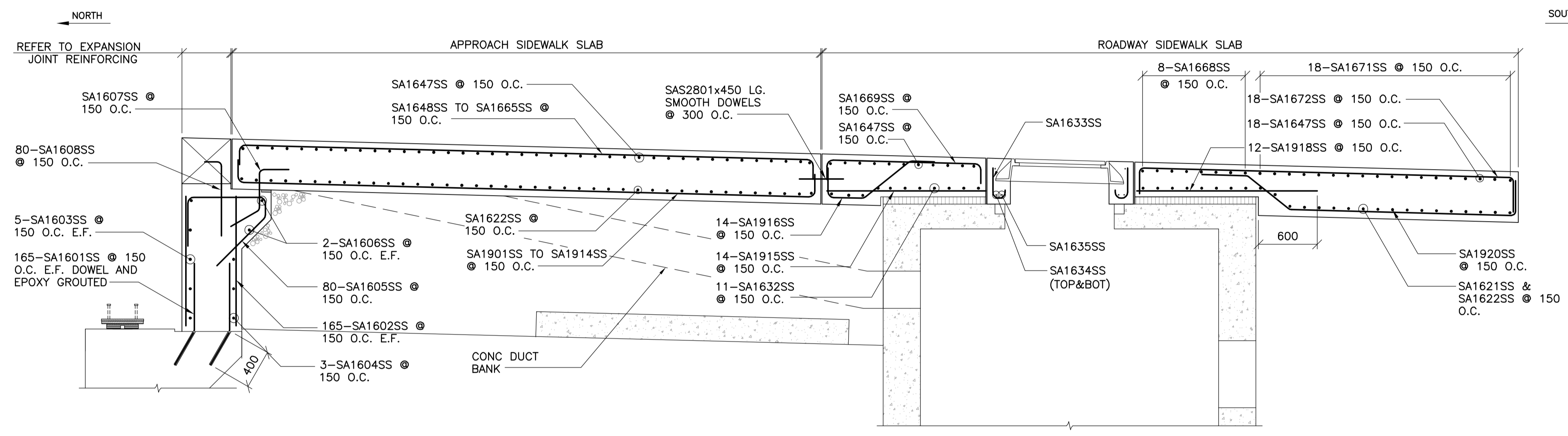


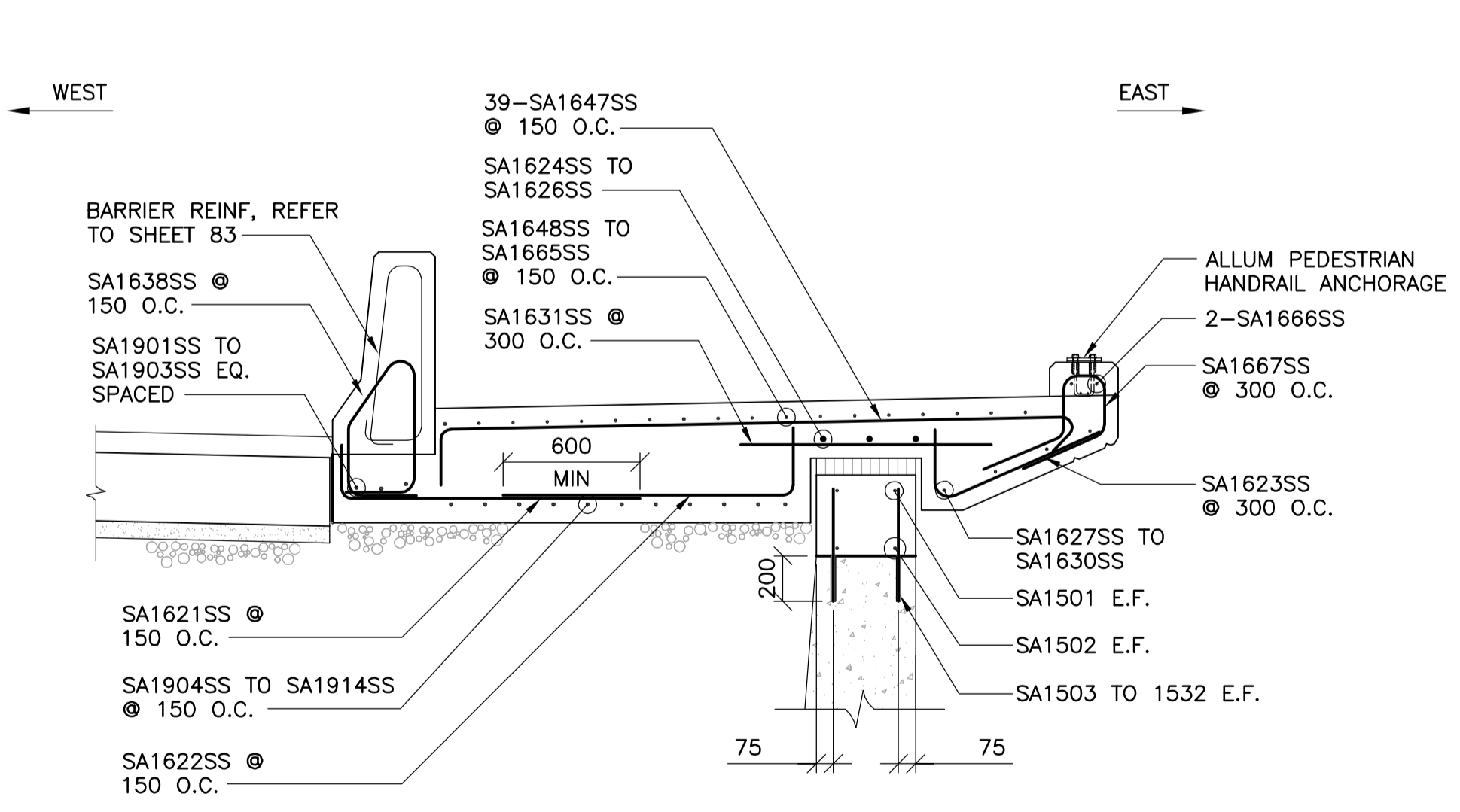
1 ELEVATION - SOUTH EAST RETAINING WALL REINFORCING
1 : 30



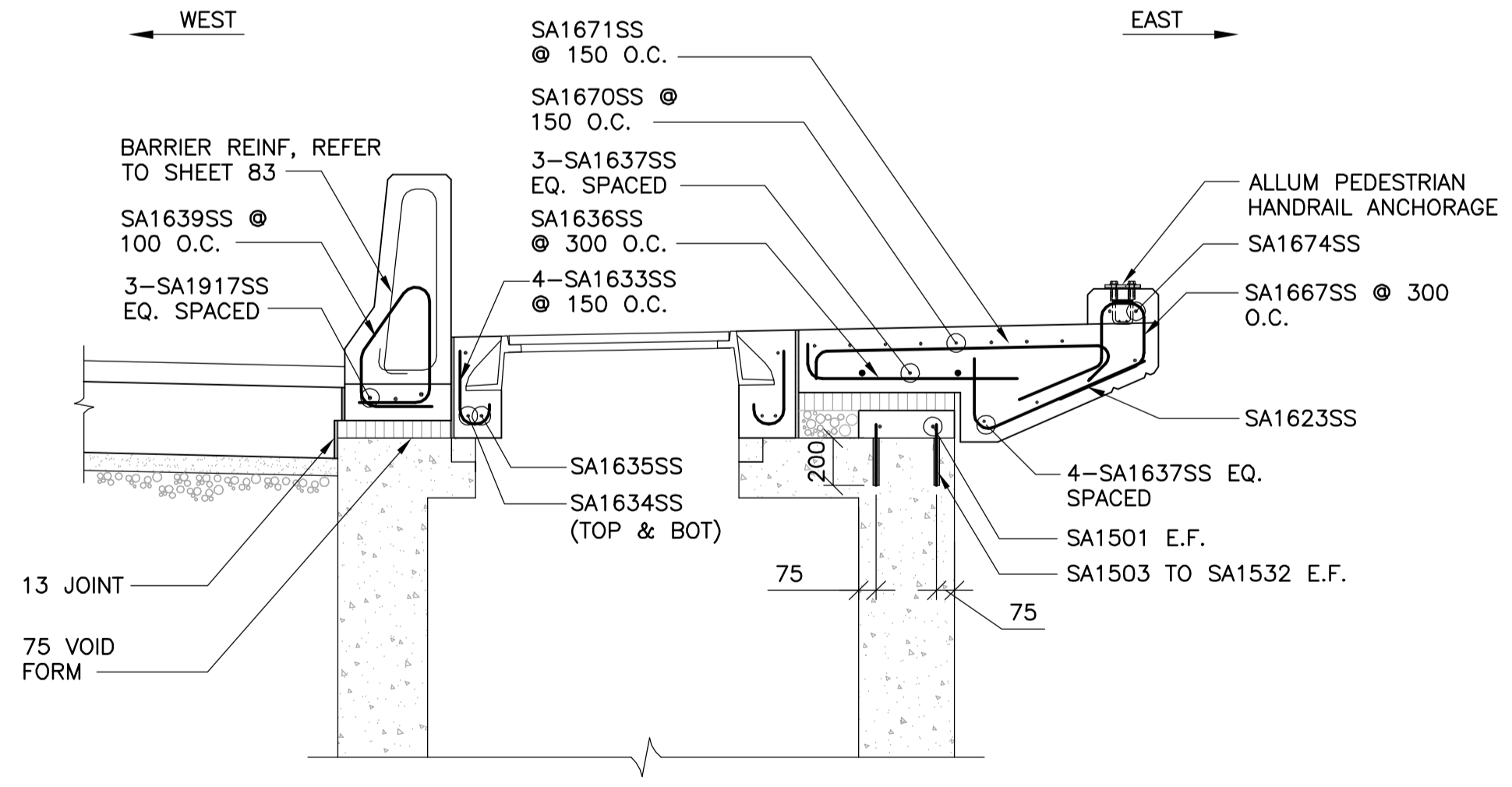
5 DETAIL
41 43 1 : 15



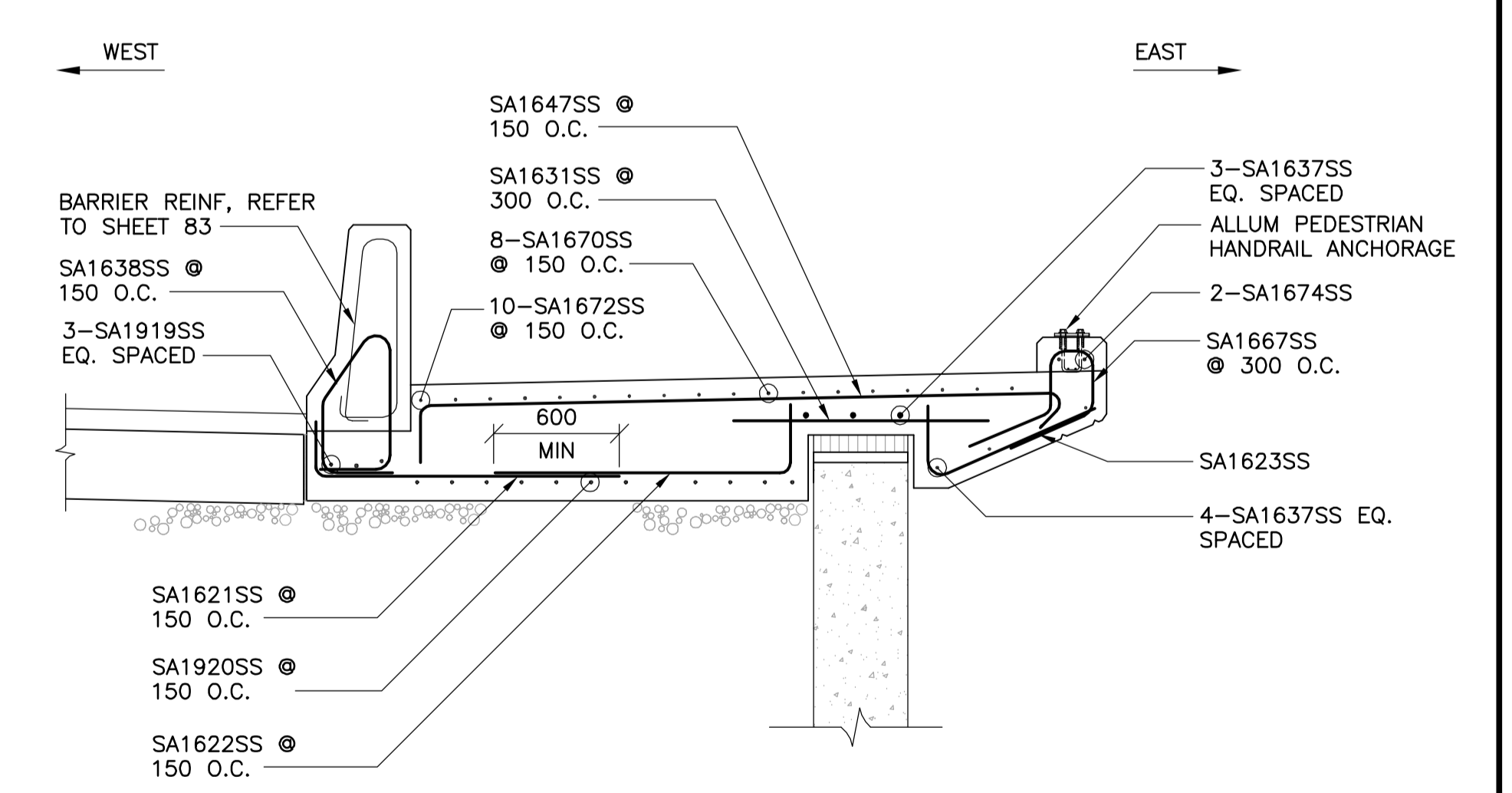
2 SECTION
41 43 1 : 30



3 APPROACH SIDEWALK SLAB SECTION
41 43 1 : 25



4 SECTION - AT HYDRO MANHOLE
41 43 1 : 25



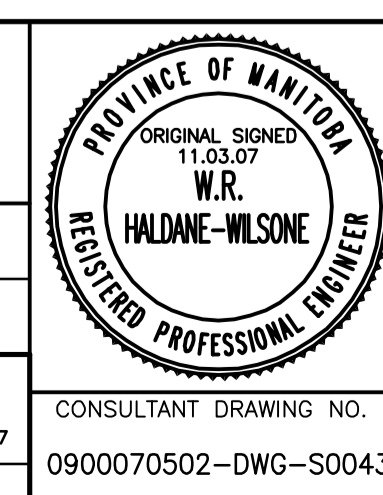
6 SIDEWALK SLAB SECTION
41 43 1 : 25



B.M. ELEV.	F.B.	DATE	BY
		11.03.07	RHW
00	ISSUED FOR ADDENDUM 1	11.03.07	RHW
	NO. REVISIONS	DATE	BY

WARDROP
ATETRA TECH COMPANY

DESIGNED BY S.Y.	CHECKED BY R.H.W.
DRAWN BY C.T.	APPROVED BY R.H.W.
HOR. SCALE: VERTICAL:	RELEASED FOR CONSTRUCTION DATE ORIGINAL SIGNED
AS NOTED	DATE 11.03.07
DATE 10.10.20	CONSULTANT DRAWING NO. 0900070502-DWG-S0043



THE CITY OF WINNIPEG
PUBLIC WORKS DEPARTMENT
ENGINEERING DIVISION

OSBORNE STREET BRIDGE
REHABILITATION & RELATED WORKS

SOUTH ABUTMENT AND APPROACH SLAB
PHASE 1 REINFORCING

CITY DRAWING NUMBER B109-11-048	SHEET OF 43 131
43	