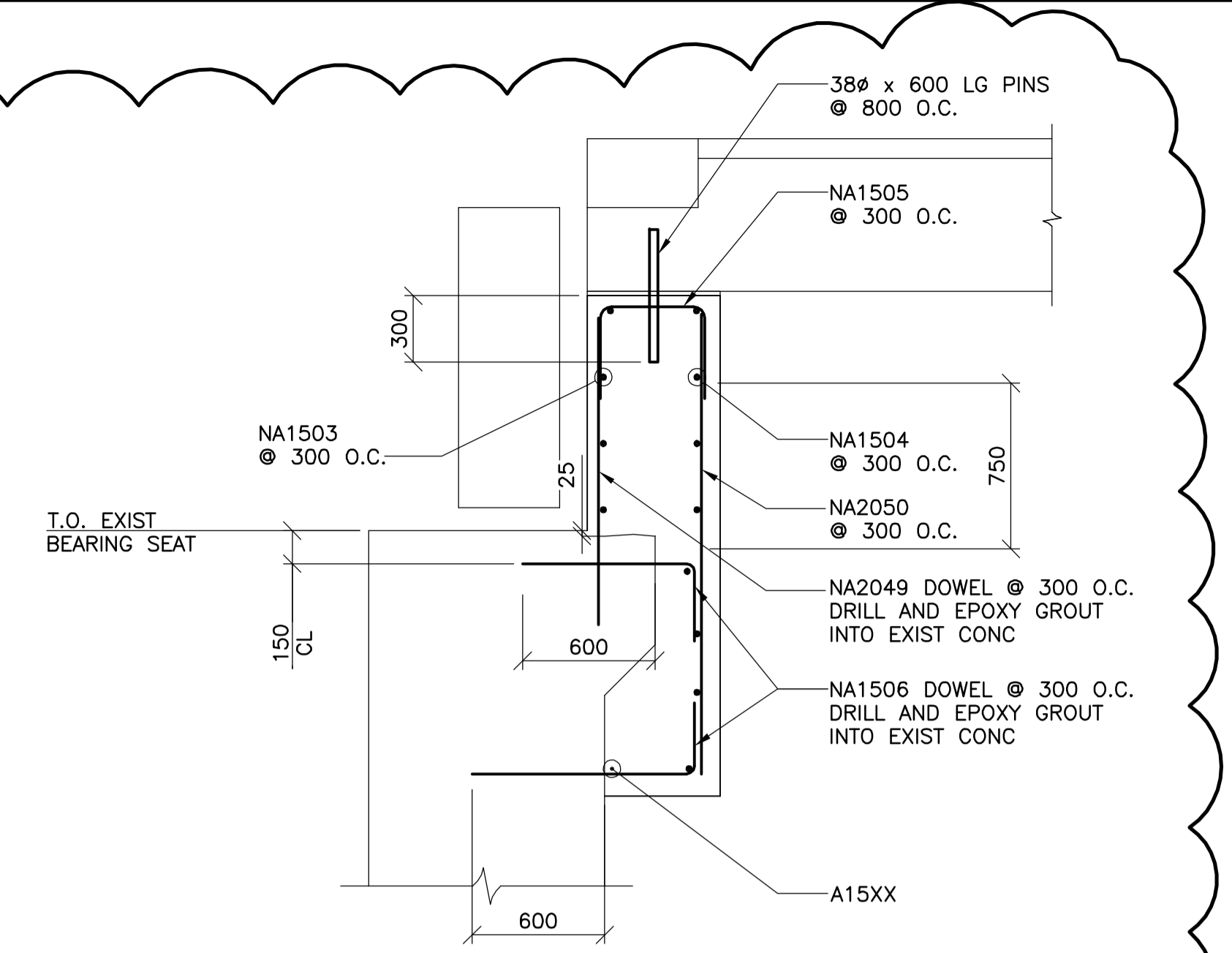
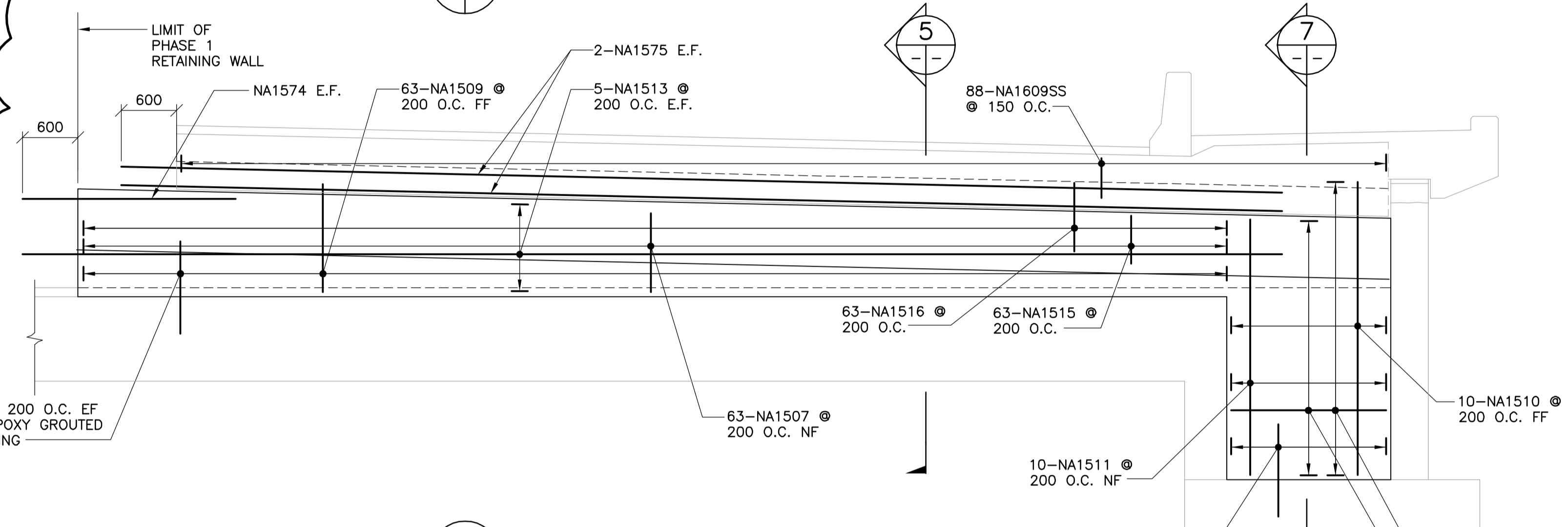


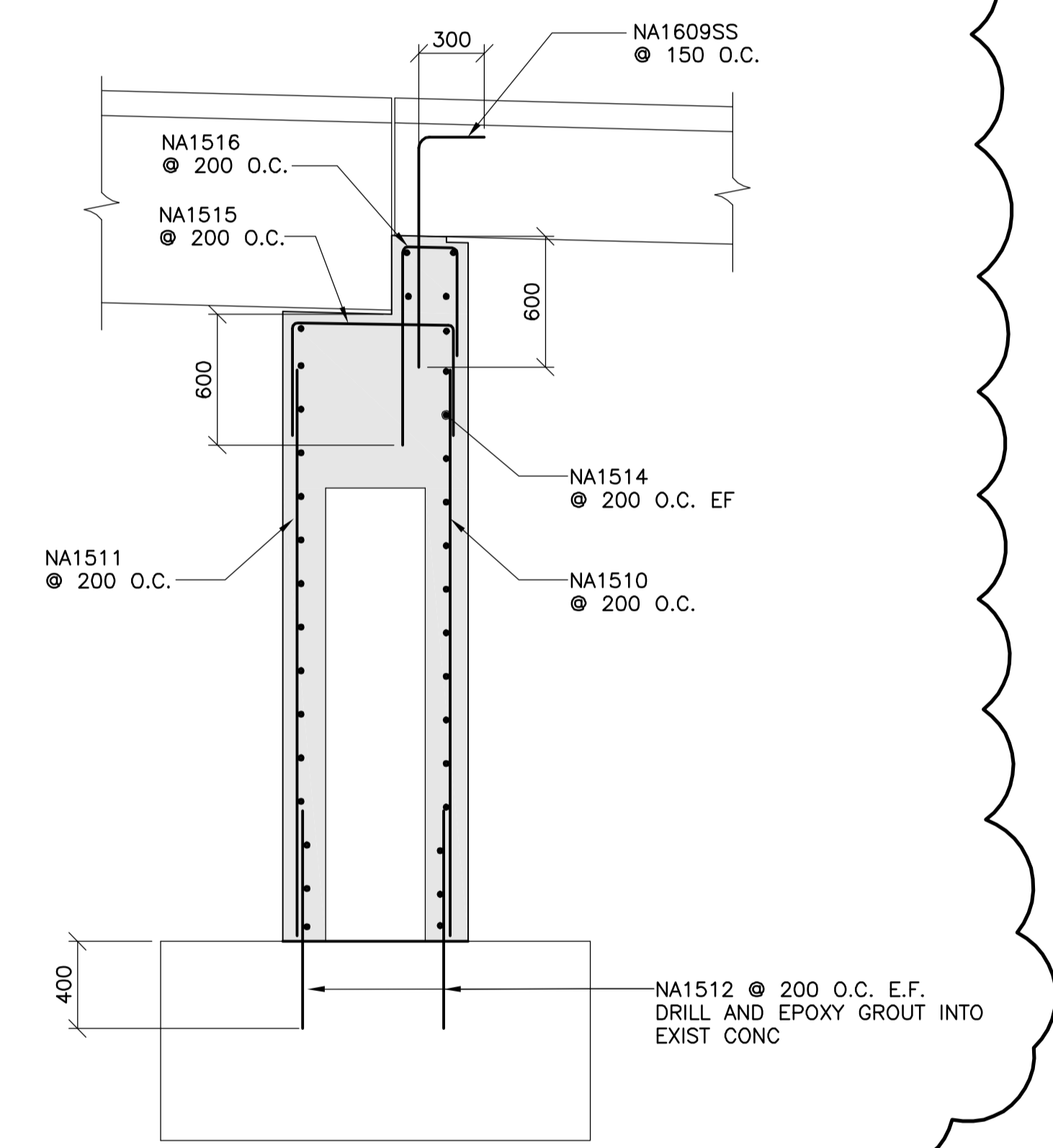
**1**  
22 23  
**ABUT BACKWALL ELEVATION**  
1 : 40



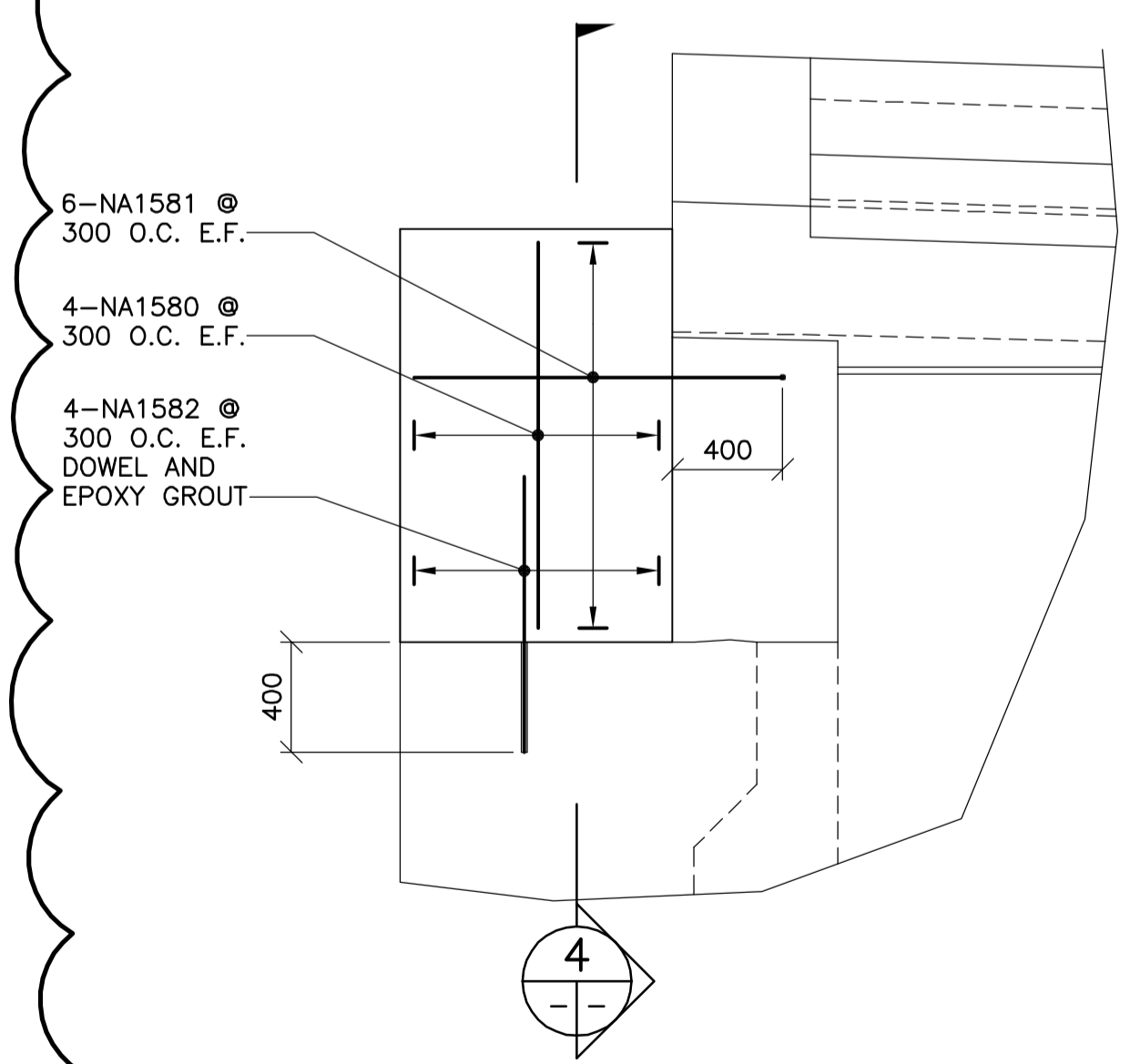
**6**  
- -  
**NEW ABUTMENT BACKWALL**  
1 : 25



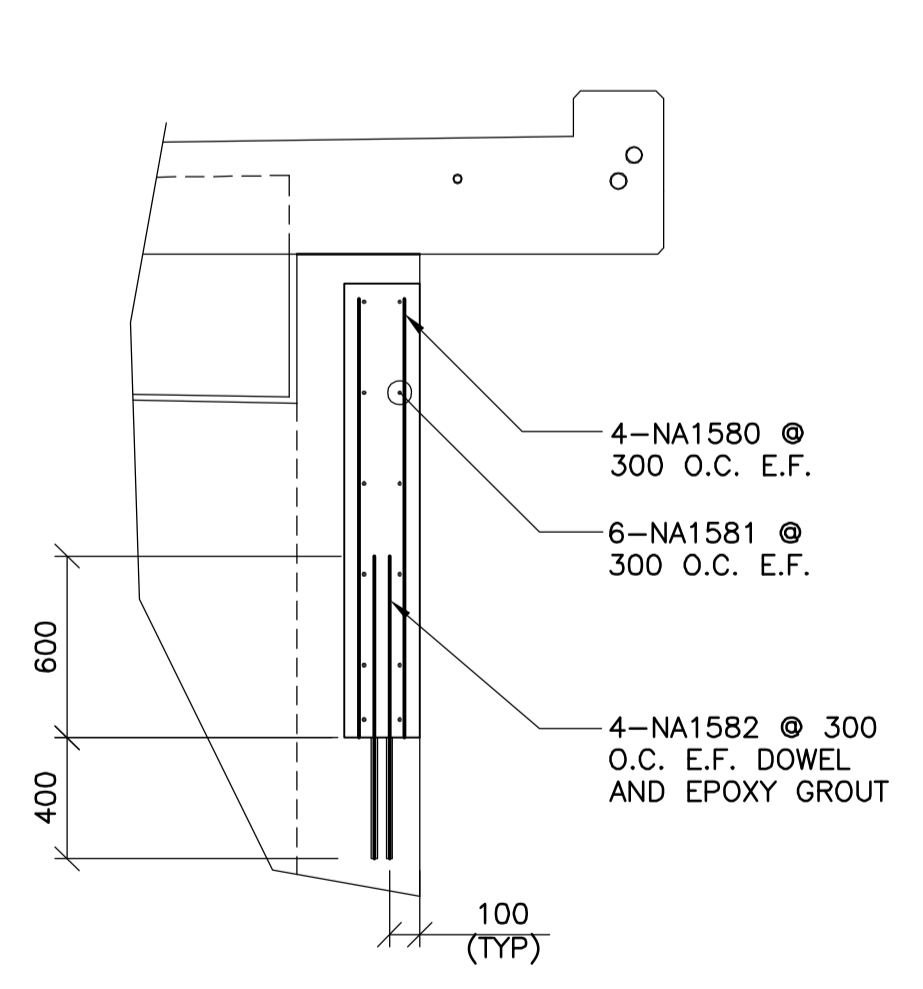
**2**  
22 23  
**SECTION AT RETAINING WALL**  
1 : 40



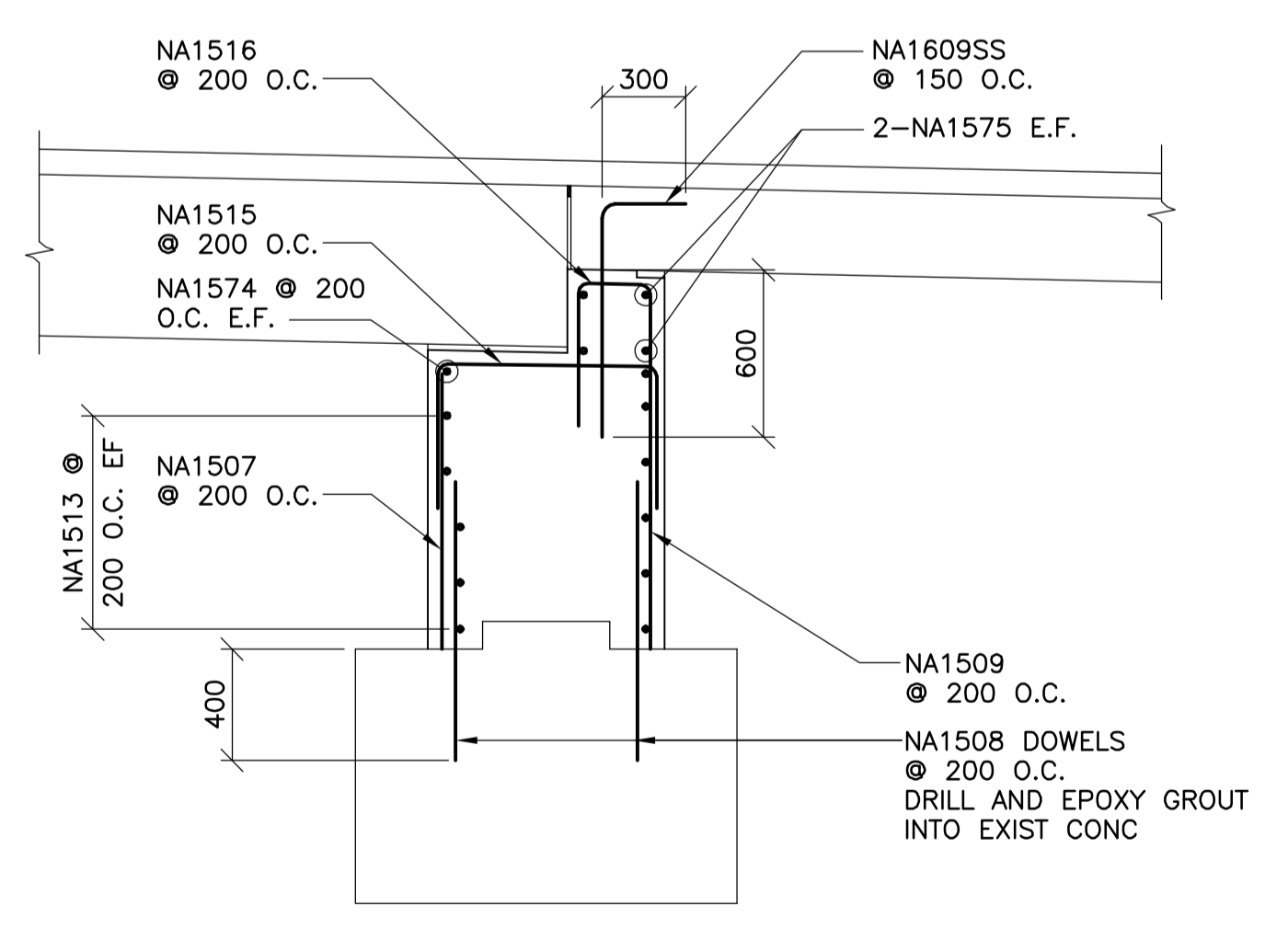
**7**  
- -  
**SECTION**  
1 : 25



**3**  
- -  
**PARTIAL ELEVATION MASKWALL REINFORCING**  
1 : 25



**4**  
- -  
**MASKWALL SECTION**  
1 : 25



**5**  
- -  
**SECTION**  
1 : 25



B.M. ELEV.	F.B.	WARDROP ATETRA TECH COMPANY		DESIGNED BY	CHECKED BY	DATE
		S.Y.	R.H.W.			
		H.A.	R.H.W.			
01 ISSUED FOR ADDENDUM 1		11.03.07	RHW	HOR. SCALE: AS NOTED		DATE
00 ISSUED FOR TENDER		11.02.18	RHW	VERTICAL: AS NOTED		DATE
NO. REVISIONS		DATE	BY	DATE	10.10.20	



**THE CITY OF WINNIPEG**  
PUBLIC WORKS DEPARTMENT  
ENGINEERING DIVISION

**OSBORNE STREET BRIDGE**  
REHABILITATION & RELATED WORKS

**NORTH ABUTMENT AND APPROACH SLAB**  
PHASE 1 REINFORCING

CITY DRAWING NUMBER  
B109-11-028  
SHEET 23 OF 131

CONSULTANT DRAWING NO.  
0900070502-DWG-S0023

DATE  
11.02.16

DATE  
10.10.20

DATE  
11.02.16

DATE  
10.10.20

DATE  
11.02.16

DATE  
11.02.16

DATE  
11.02.16

DATE  
11.02.16