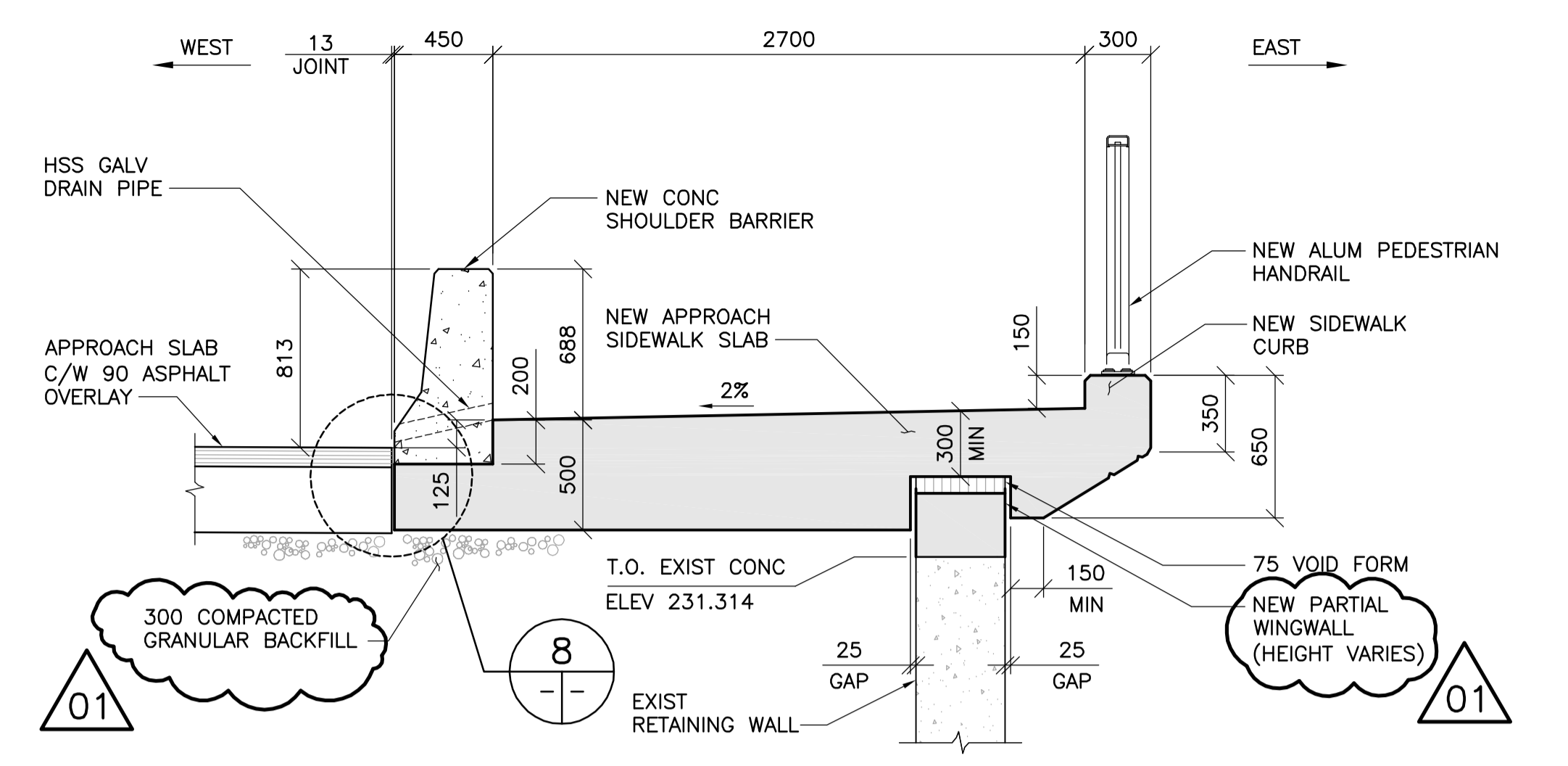
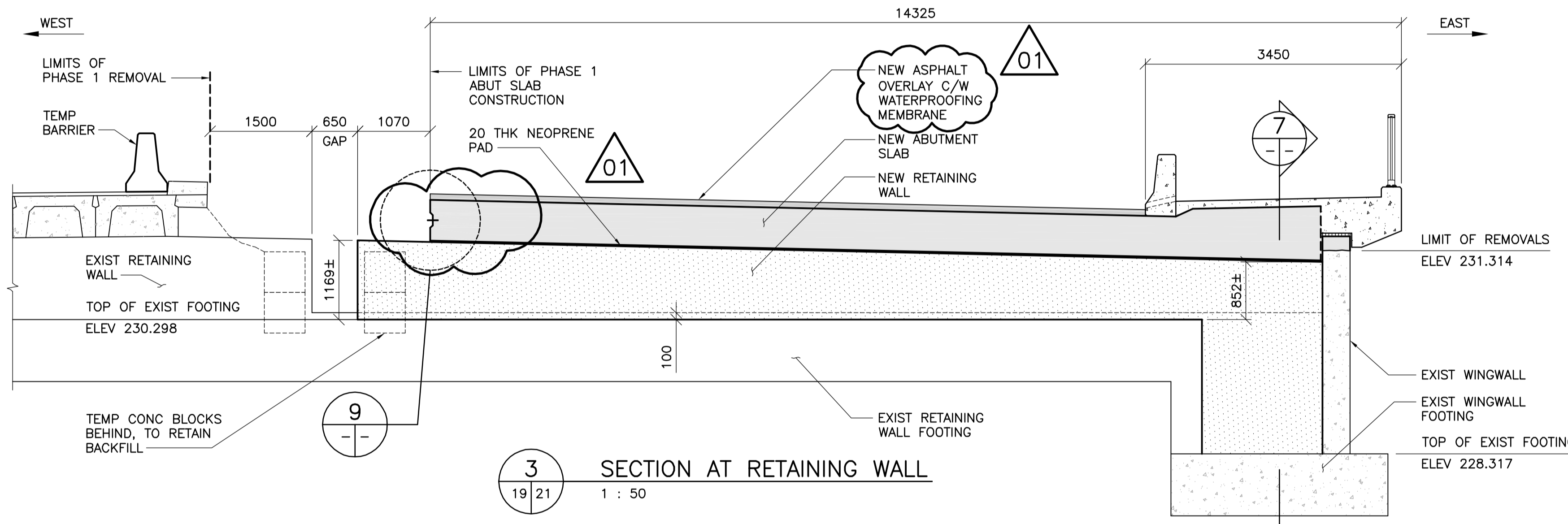


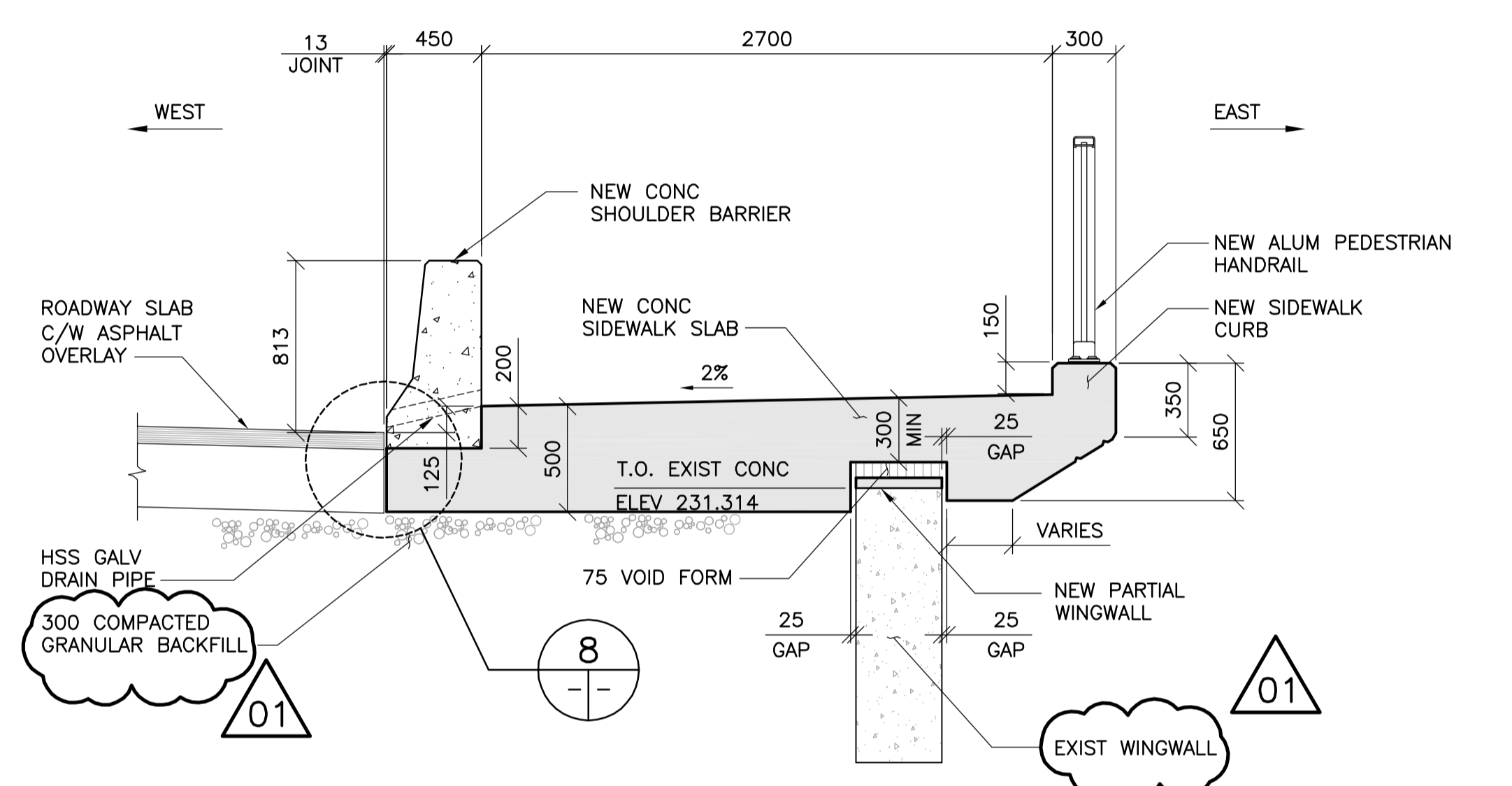
1 SECTION ALONG EAST SIDEWALK
19/21 1 : 50
- SHOWING PROPOSED MB HDRO DUCTS



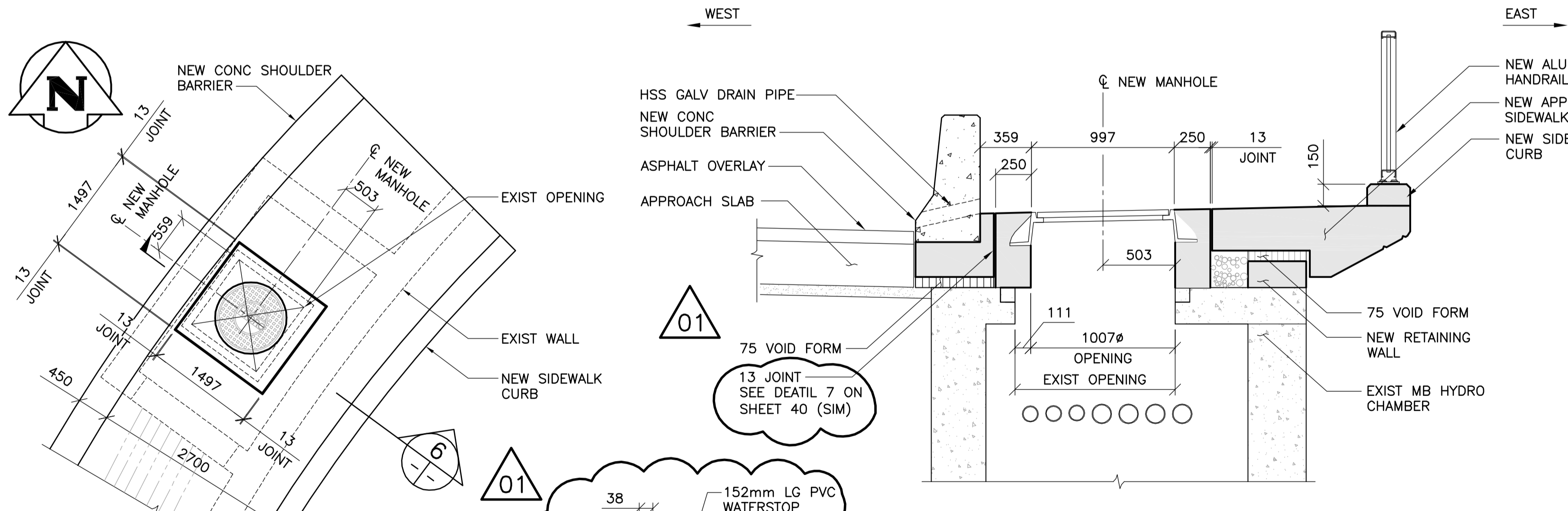
2 SIDEWALK SECTION AT APPROACH SLAB
19/21 1 : 25



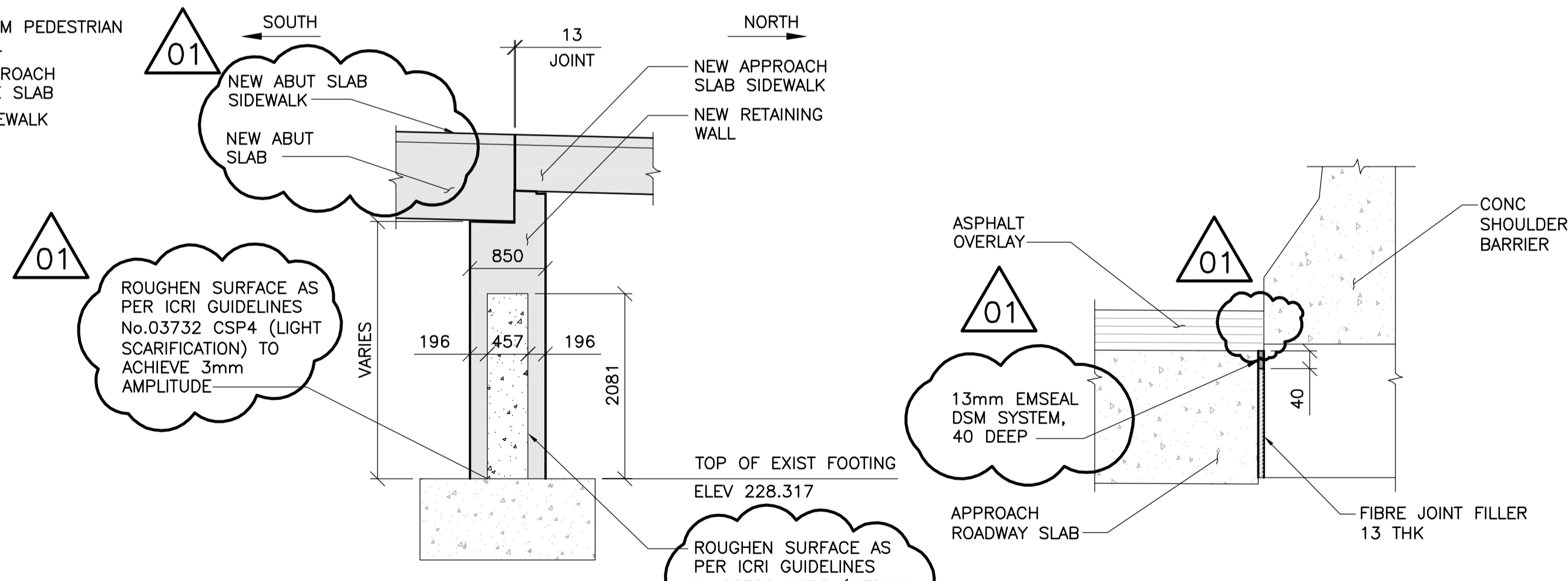
3 SECTION AT RETAINING WALL
19/21 1 : 50



4 SIDEWALK SECTION AT ROADWAY SLAB
19/21 1 : 25



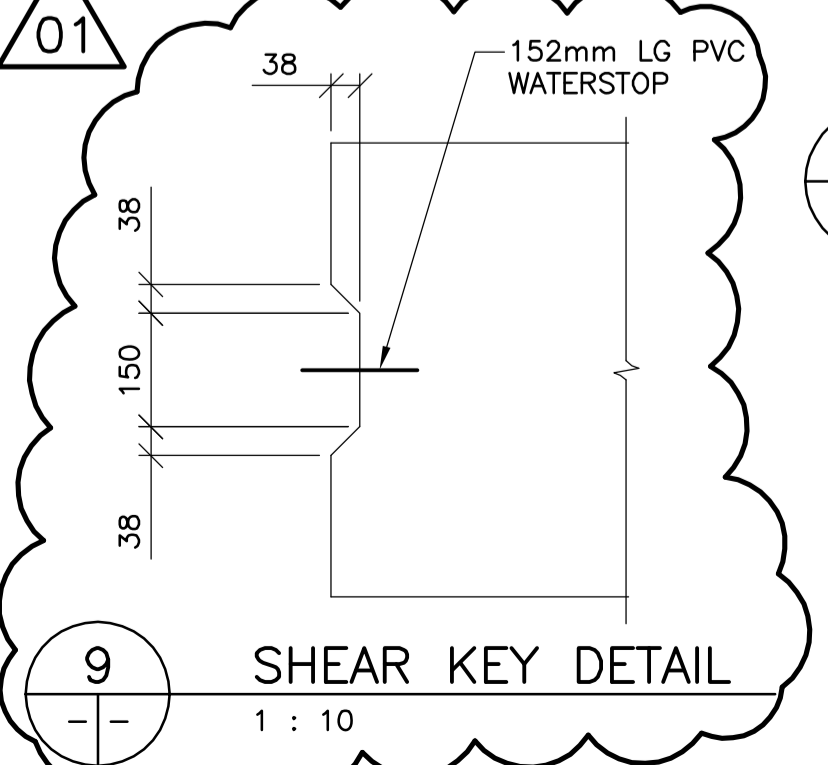
5 SECTION - AT HYDRO MANHOLE
19/21 1 : 25



6 JOINT DETAIL @ BARRIER
19/21 1 : 10



7 PARTIAL PLAN
19/21 1 : 50

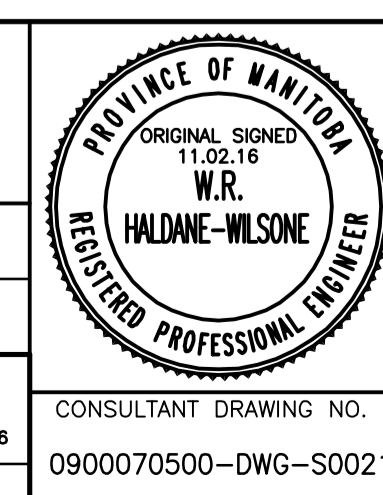


8 SHEAR KEY DETAIL
19/21 1 : 10



B.M. ELEV.	F.B.	DATE	BY

WARDROP ATETRA TECH COMPANY	
DESIGNED BY: S.Y.	CHECKED BY: R.H.W.
DRAWN BY: B.M.	APPROVED BY: R.H.W.
HOR. SCALE: AS NOTED	DATE: 11.02.18
VERTICAL: AS NOTED	DATE: 11.02.18
MAIT ORSLEY, P. ENG. BRIDGE PROJECT'S ENGINEER	



THE CITY OF WINNIPEG PUBLIC WORKS DEPARTMENT ENGINEERING DIVISION	
OSBORNE STREET BRIDGE REHABILITATION & RELATED WORKS	
NORTH ABUTMENT AND APPROACH SLAB PHASE 1 CONSTRUCTION	
CITY DRAWING NUMBER B109-11-026	SHEET OF 21 131
21	