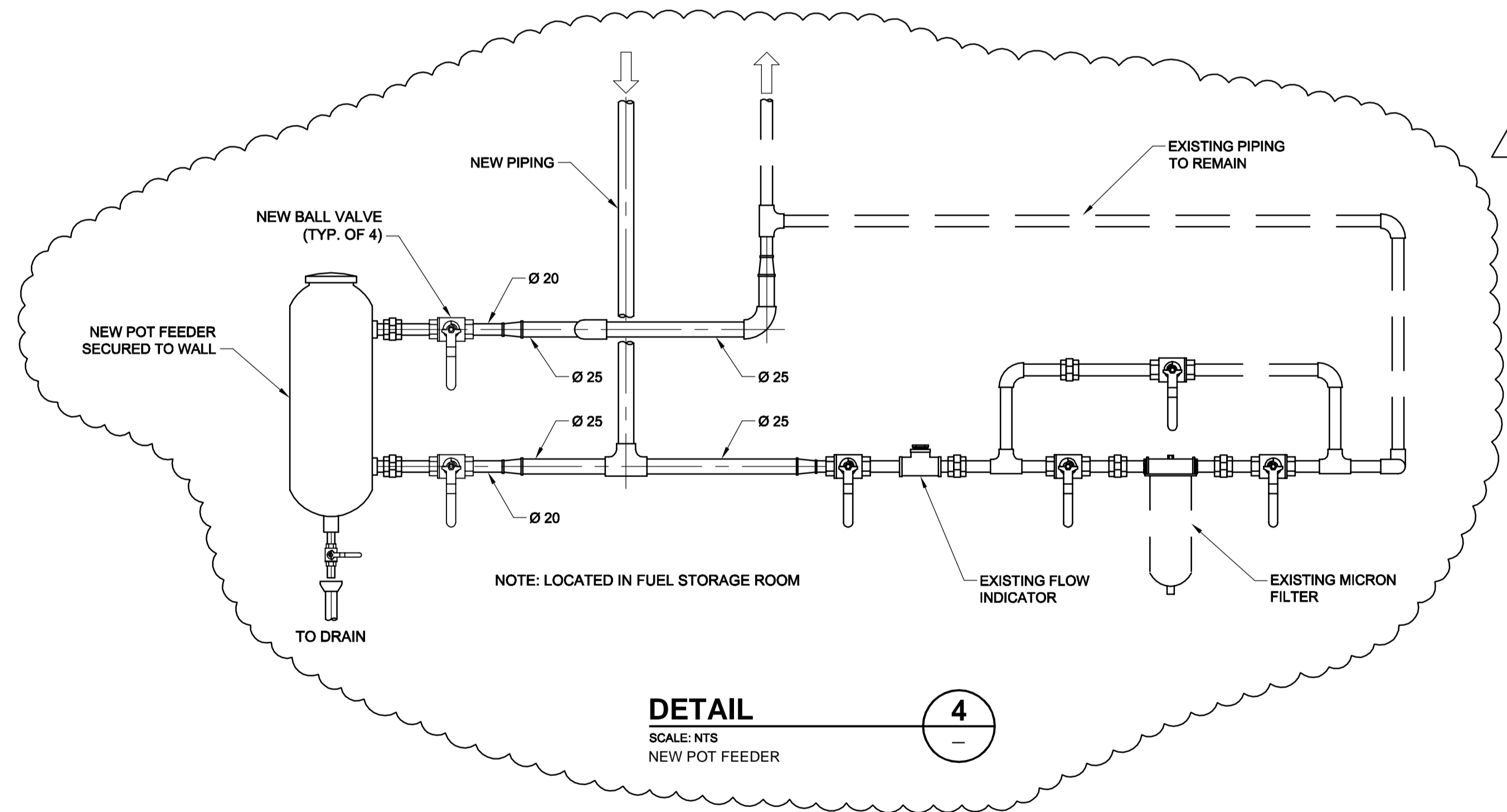
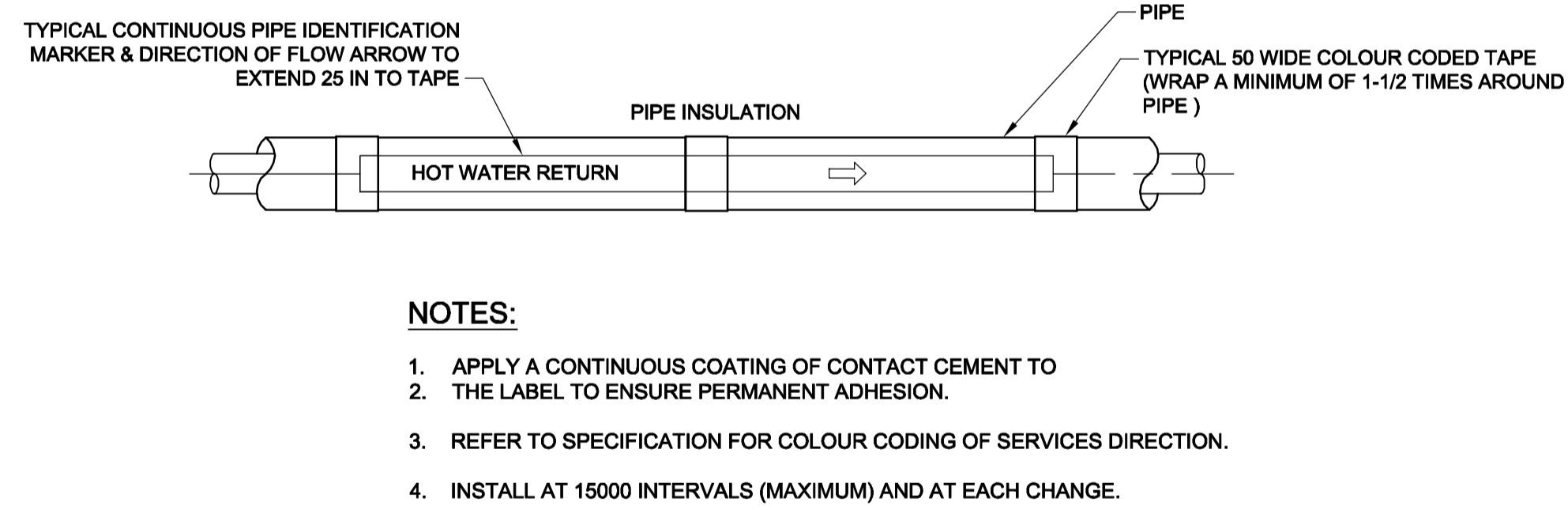
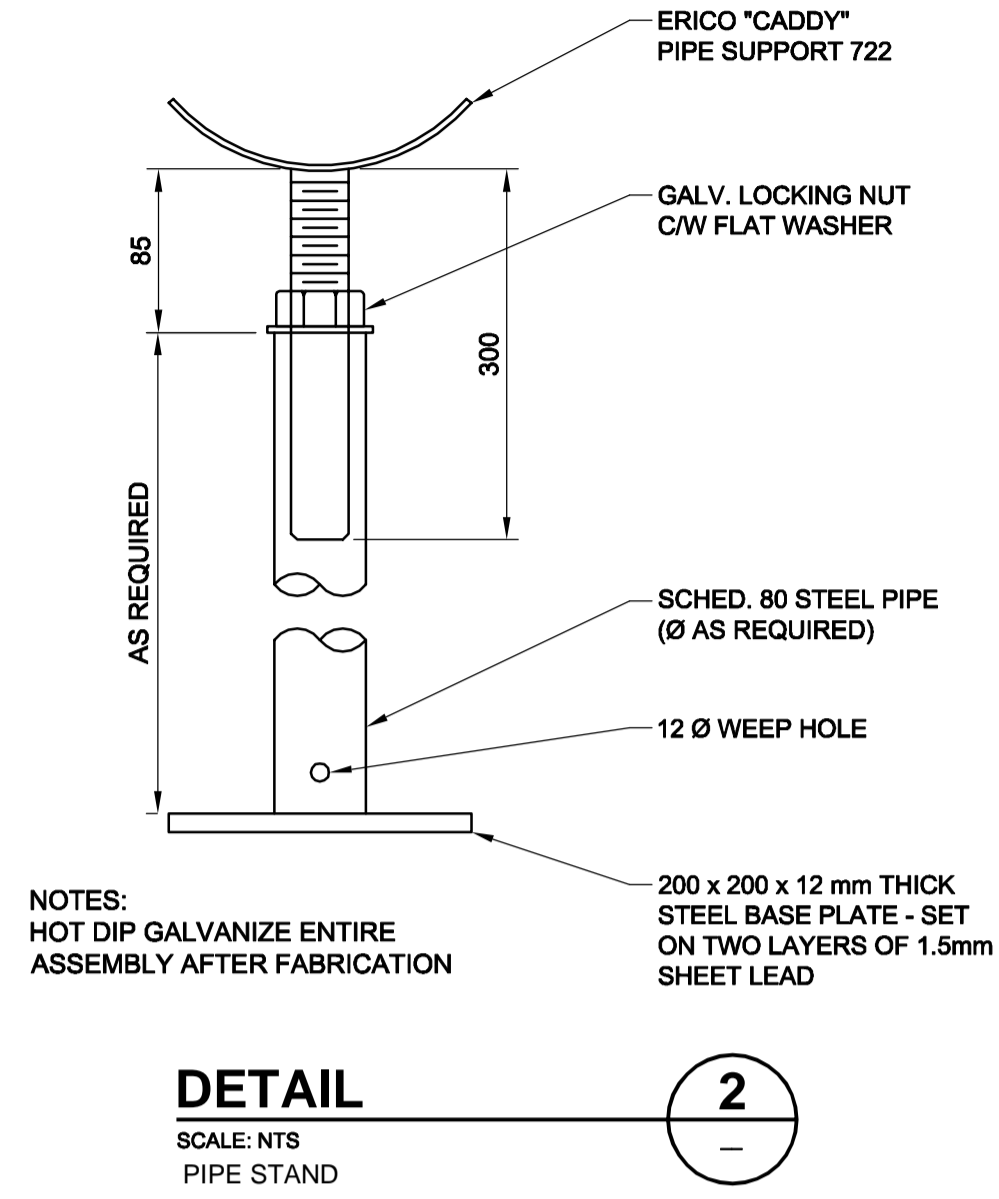
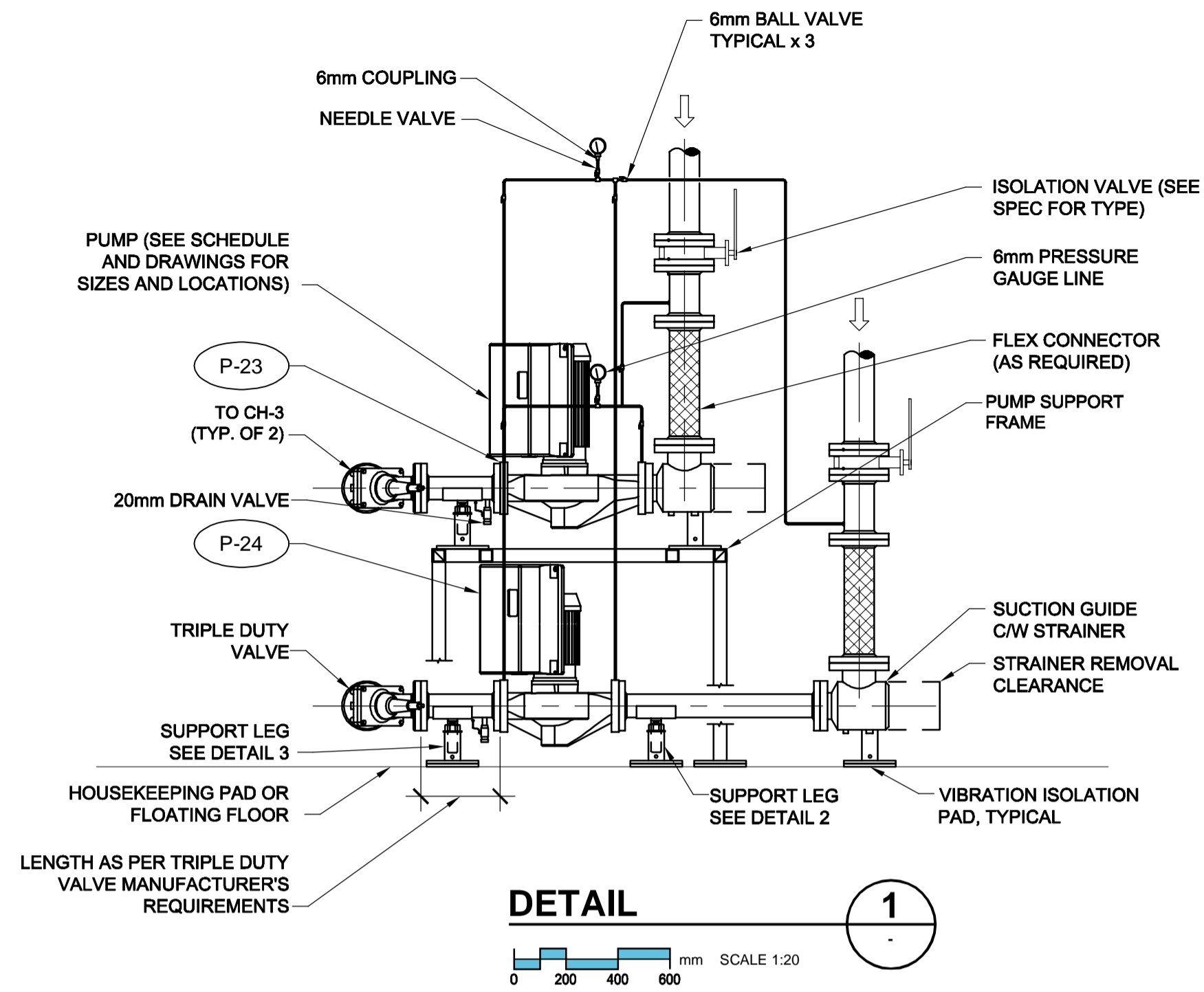


NOTES:



<b>AECOM</b>			
This drawing has been prepared for the use of AECOM's client and may not be used, reproduced or relied upon by third parties, except as agreed by AECOM and its client, as required by law or for use by governmental reviewing agencies. AECOM accepts no responsibility, and denies any liability whatsoever, to any party that modifies this drawing without AECOM's express written consent. Do not scale this document. All measurements must be obtained from stated dimensions.			
1	ISSUED FOR ADDENDUM 1	DL	2011.11.16
0	ISSUED FOR TENDER	GT	2011.11.03
No.	REVISION/DESCRIPTION	BY	DATE

DRAWN	GT	CHECKED	DC	DESIGNED	DC	APPROVED	P/L
DATE	2011.09.02	USER					

THE CITY OF WINNIPEG  
 PLANNING, PROPERTY AND  
 DEVELOPMENT DEPARTMENT  
 MUNICIPAL ACCOMMODATIONS DIVISION  
 3-65 GARRY STREET, R3C 4K4

PROJECT  
 ADMINISTRATION & COUNCIL BUILDING  
 REPLACEMENT OF COOLING PLANT - 510 MAIN STREET  
 BID OPPORTUNITY NO. 673-2011  
 510 MAIN STREET, WINNIPEG, MANITOBA

SHEET TITLE  
 MECHANICAL  
 HYDRONIC DETAILS

**APEGM**  
 Certificate of Authorization  
 AECOM Canada Ltd.  
 No. 4671 Date: \_\_\_\_\_

DRN	CHK	DES	ENG	IDR

AECOM REVIEW

SCALE	PROJECT No:	SHEET No:
NTS	60220937	M-012