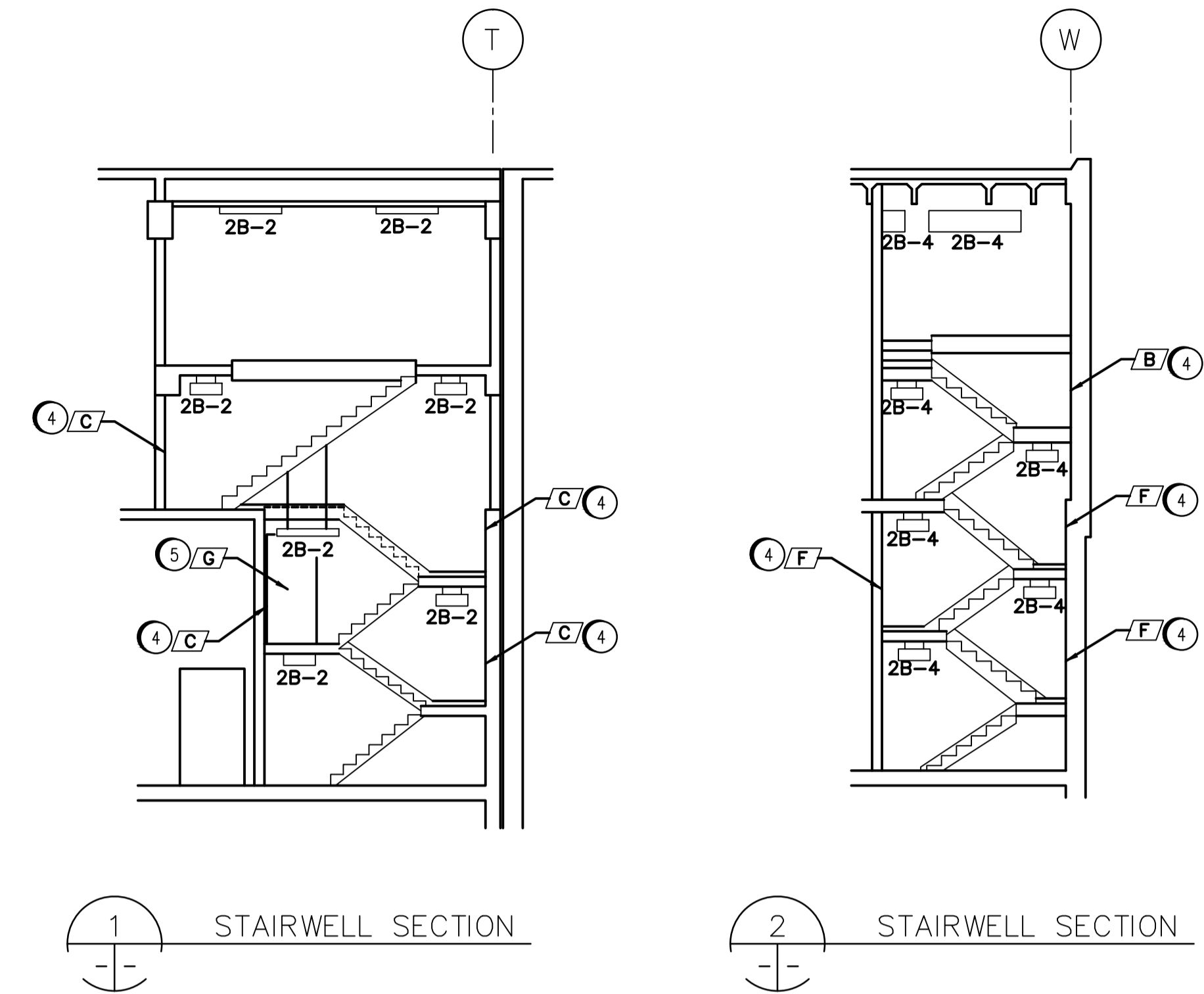


PLAN AT BASEMENT LEVEL 227.4

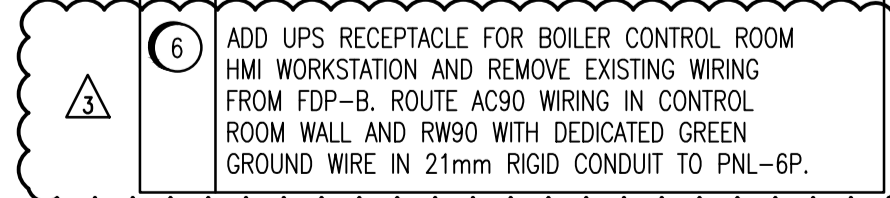


FIXTURE SCHEDULE	
TYPE	DESCRIPTION
A	HOLOPHANE "ENDURALUME", 150 WATT, 347V, HPS HI-BAY TYPE C/W 150 WATT TUNGSTEN HALOGEN LAMP FOR STANDBY LIGHTING
B	HOLOPHANE "ENDURALUME", 150 WATT, 347V, HPS HI-BAY TYPE
C	YORK "JH" SERIES, 2-40 WATT, 347V FLUORESCENT TROFFER TYPE (1'X4')
D	YORK "MG" SERIES, 2-40 WATT, 347V FLUORESCENT WRAP ARUOND CEILING MOUNT TYPE
E	READY-LITE "RX" SERIES 2-25 WATT, 347V EXIT LIGHT
E	LUMACELL "3000" SERIES, 5W, 120-347V EXIT LIGHT, WALL MOUNTED
F	HOLOPHANE "WALLPAK", 100 WATT, 347V, HPS WALL MOUNTED TYPE C/W PHOTO CONTROL AND ISOLATING WINDING LEAD BALLAST
G	YORK "DTW" SERIES 2-40 WATT, 120V FLUORESCENT TYPE
H	HOLOPHANE "ENDURALUME", 175 WATT, 347V, METAL HALIDE TYPE C/W 150 WATT TUNGSTON HALOGEN LAMP FOR STANDBY LIGHTING
J	HOLOPHANE "ENDURALUME", 175 WATT, 347V, METAL HALIDE TYPE
K	YORK "JH" SERIES, 2-40 WATT, 347V FLUORESCENT TROFFER TYPE (2'X4')
L	COOPER "METALUX" SERIES, 2-32W, 347 FLUORESCENT

LEGEND
 EXIT SIGN. SEE 1-0102A-E0007 FOR SIGN LAYOUT TYPES.
 SIGN TYPE

CONSTRUCTION NOTES

- 1 INSTALL ESSENTIAL LIGHTING FIXTURE AS SHOWN.
- 2 REMOVE EXIT SIGNS AS SHOWN.
- 3 INSTALL EXIT SIGNS ON BOILER ROOM WALL AS SHOWN.
- 4 INSTALL "RUNNING PERSON" EXIT SIGN ON WALL.
- 5 INSTALL "NOT AN EXIT" SIGN ON STAIR SIDE OF DOOR.
- 6 ADD UPS RECEPTACLE FOR BOILER CONTROL ROOM HMI WORKSTATION AND REMOVE EXISTING WIRING FROM FDP-B. ROUTE AC90 WIRING IN CONTROL ROOM WALL AND RW90 WITH DEDICATED GREEN GROUND WIRE IN 21mm RIGID CONDUIT TO PNL-6P.



SNC-LAVALIN INC.	
148 Nelson Park Way Winnipeg, Manitoba Canada R3P 0X7	
DESIGNED BY T. CHURCH	APPROVED BY C. REIMER
CHECKED BY C. REIMER	DATE 2011/03/11
PROJECT NO. 112577	SUBJOB 0106
SUBJECT 47 DD	SERIAL 2300
REV. 3	

B.M. ELEV.			
	3	ADDED UPS CIRCUIT	2011/05/03 TMC
	2	ADDED ESSENTIAL LIGHTING AND EXIT SIGNS	2011/05/11 TMC
	1	AS CONSTRUCTED	08/93 B.T.
	0	ISSUED FOR TENDER	91/12 B.T.
	-	ISSUED FOR CITY REVIEW	91/05 B.T.
NO. REVISIONS		DATE	BY

M McLAREN ENGINEERS INC. WARDROP ENGINEERING INC. ENGINEERING CONSULTANTS	
DESIGNED BY D.W.D.	CHECKED BY
DRAWN BY H.P.C.C.	APPROVED BY
HOR. SCALE: VERTICAL: 1 : 100	RELEASED FOR CONSTRUCTION: DATE

ENGINEER'S SEAL
ORIGINAL DRAWING SEALED BY: T. M. CHURCH SNC-LAVALIN 2011/03/25 REV. 02 CHANGES ONLY
CONSULTANT DRAWING NO. 10009-B-E301

THE CITY OF WINNIPEG
 WORKS AND OPERATIONS DIVISION
 WATERWORKS, WASTE & DISPOSAL DEPARTMENT

SOUTH END WATER POLLUTION CONTROL CENTRE
 SERVICE BUILDING EXPANSION - ELECTRICAL

LIGHTING & BUILDING SERVICES
 FLOOR PLAN

CITY DRAWING NUMBER
 SHEET OF
 SEP-905

