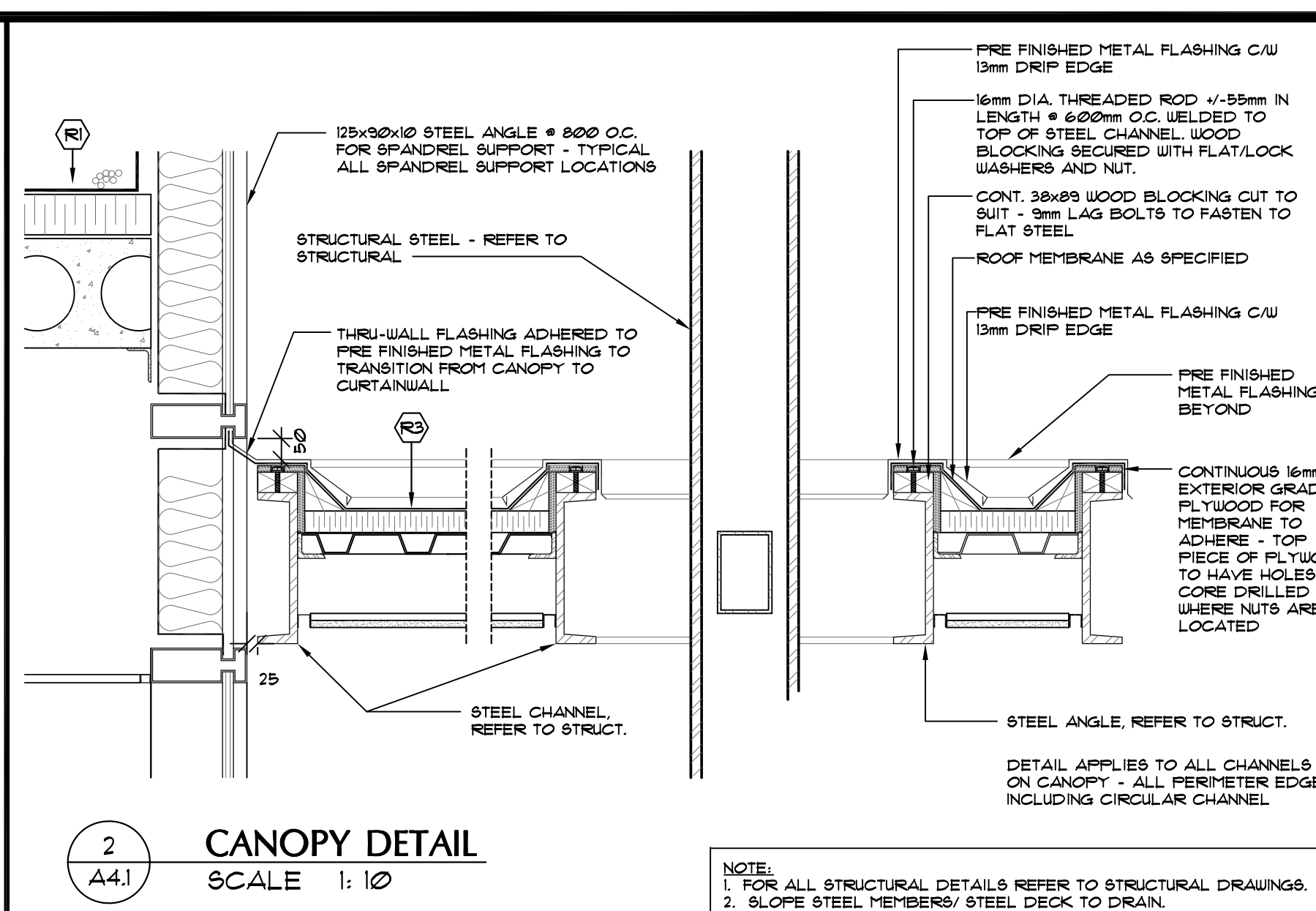
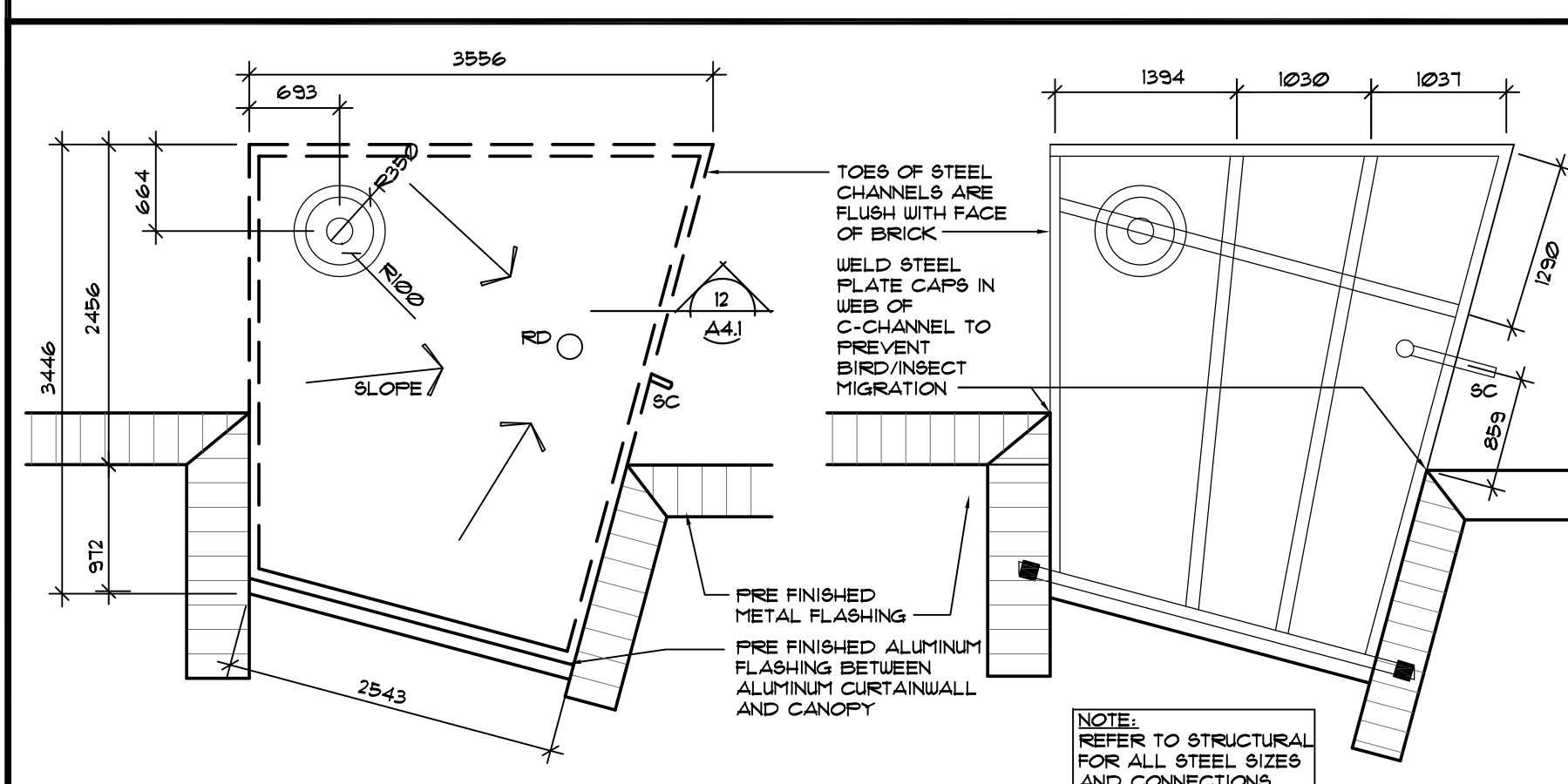


1 A4.1 ROOF PLAN SCALE 1: 75

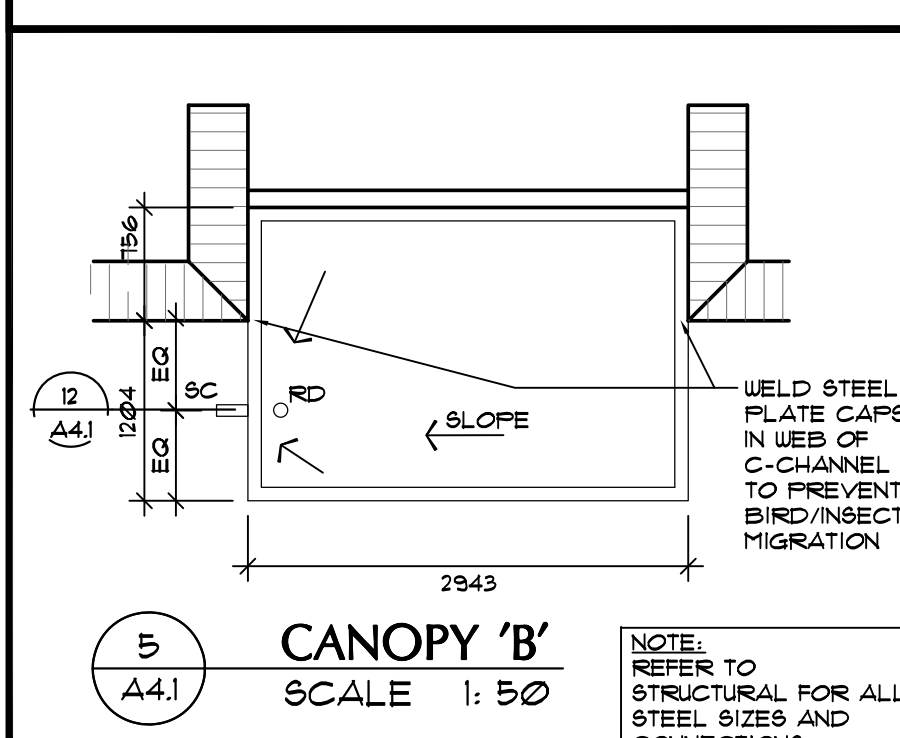


2 A4.1 CANOPY DETAIL SCALE 1: 10

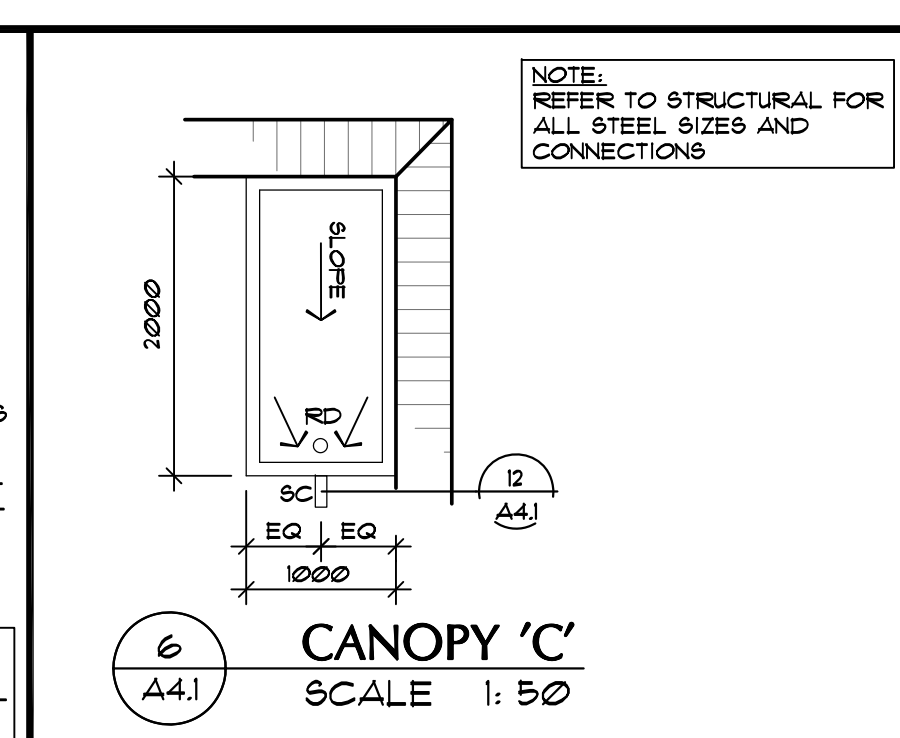


3 A4.1 CANOPY 'A' ROOF PLAN SCALE 1: 50

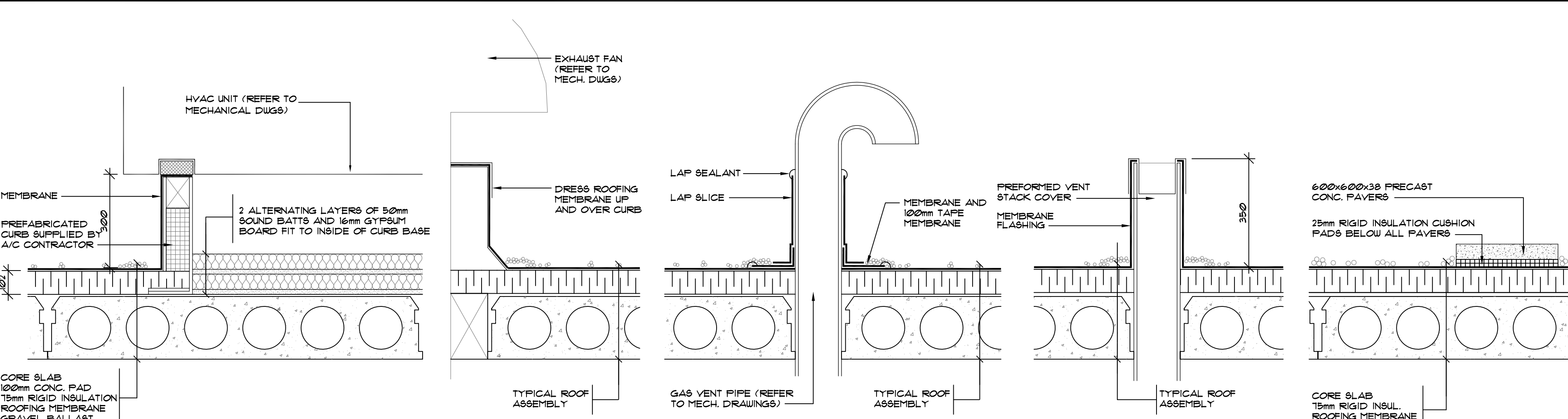
4 A4.1 CANOPY 'A' FRAMING PLAN SCALE 1: 50



5 A4.1 CANOPY 'B' SCALE 1: 50



6 A4.1 CANOPY 'C' SCALE 1: 50



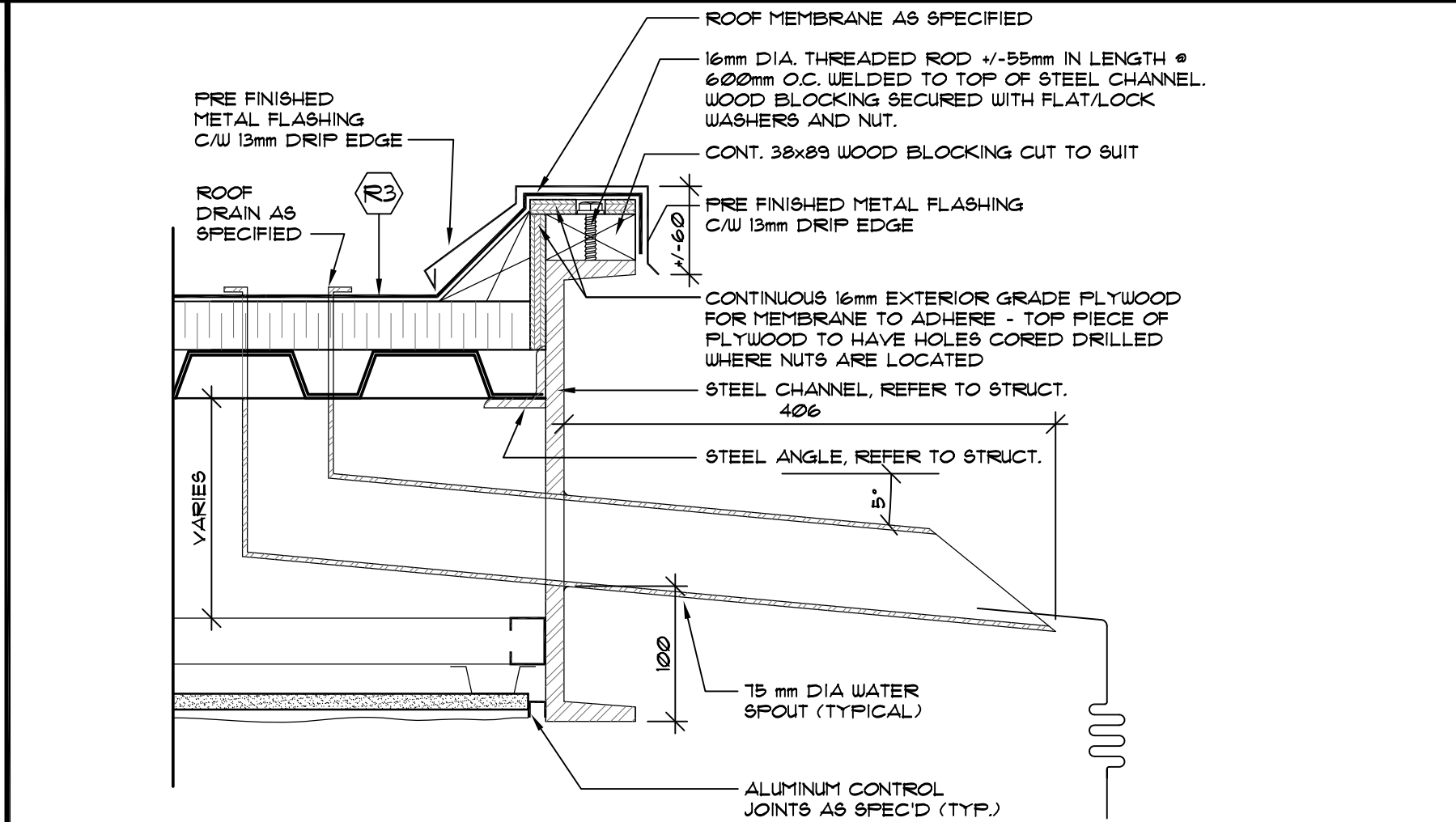
7 A4.1 HVAC UNIT CURB SCALE 1: 10

8 A4.1 EXHAUST VENT SCALE 1: 10

9 A4.1 TYP. GAS VENT STACK SCALE 1: 10

10 A4.1 TYP. ROOF VENT SCALE 1: 10

11 A4.1 TYP. ROOF PAVER SCALE 1: 10



12 A4.1 TYPICAL SCUPPER DETAIL SCALE 1: 5

ISSUES:

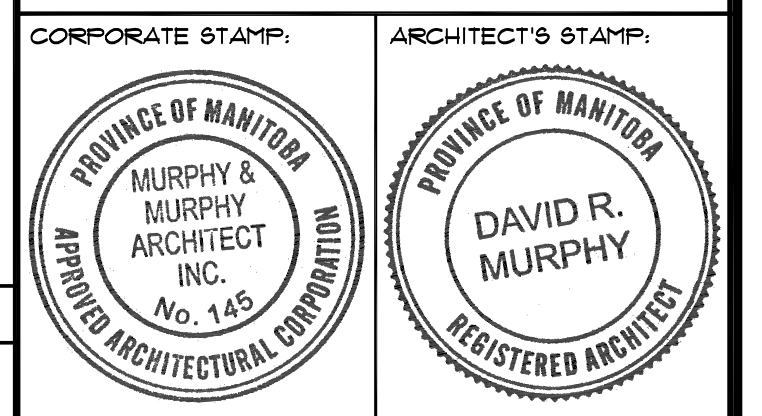
1 APRIL 2010	PHASE 1 - 70% COMPLETION
2 MAY 14, 2010	PHASE 2 - 80% COMPLETION
3 SEPT 15, 2010	PHASE 3 - BUILDING PERMIT PRELIMINARY REVIEW
4 SEPT 29, 2010	ISSUED FOR BUILDING PERMIT / TENDERS
5 FEB 01, 2011	ISSUED FOR ADDENDUM 4

ROOF PLAN LEGEND

RD	ROOF DRAIN
SC	SCUPPER
[Symbol]	PRECAST 25 mm THICK PAVERS ON INSULATED PADS
[Symbol]	SLOPE TO DRAIN
[Symbol]	EXHAUST VENT
[Symbol]	SLOPED INSULATION
[Symbol]	HVAC MECHANICAL UNIT
DSP	DOWNSPOUT / SPLASH PAD

NOTE: REFER TO MECHANICAL AND ELECTRICAL DUGS FOR ROOF PENETRATION LOCATIONS

© COPYRIGHT MURPHY & MURPHY ARCHITECT 2010
NOT TO BE REPRODUCED WITHOUT CONSENT OF ARCHITECT.



MURPHY & MURPHY ARCHITECT INC.

775 WATERLOO STREET, LONDON, ONTARIO N6A 3W5
PH: (519) 433-5161 FAX: (519) 433-5163

A Detail Number
B Drawing Number - Where Detail Found

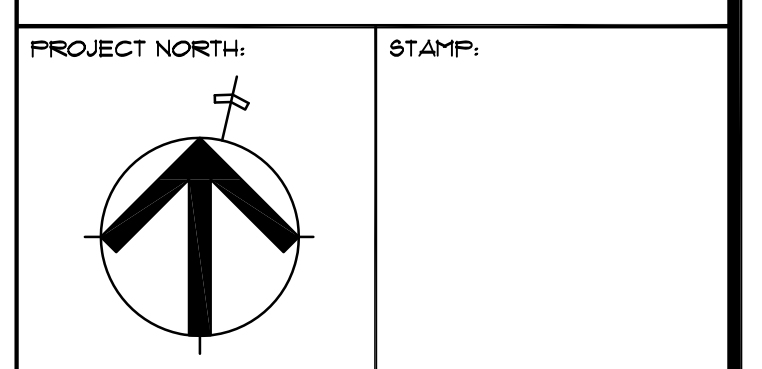
CONTRACTOR SHALL CHECK ALL DIMENSIONS ON THE DRAWINGS AND REPORT ANY DISCREPANCIES TO THE ARCHITECT BEFORE PROCEEDING. ALL DRAWINGS AND SPECIFICATIONS ARE PROPERTY OF THE ARCHITECT AND MUST BE RETURNED AT THE COMPLETION OF THE WORK. DRAWINGS ARE NOT TO BE SCALED. USE ONLY THE LATEST REVISED DRAWINGS OR THOSE THAT ARE MARKED 'ISSUED FOR CONSTRUCTION'. ANY UNAUTHORIZED USE IS PROHIBITED. AREA CALCULATIONS ARE APPROXIMATE.

PROJECT NAME:

NEW WINNIPEG STATION No. 27 PROJECT

SAGE CREEK, WINNIPEG, MANITOBA

DRAWING TITLE:
ROOF PLAN / ROOF DETAILS



SCALE: AS NOTED	PROJECT NO: 2261
DATE: FEBRUARY 01, 2011	FILE NAME:
ISSUED: SEPTEMBER 29, 2010	DRAWING NO: A4.1
DRAWN BY: MTR	CHECKED BY: DR1