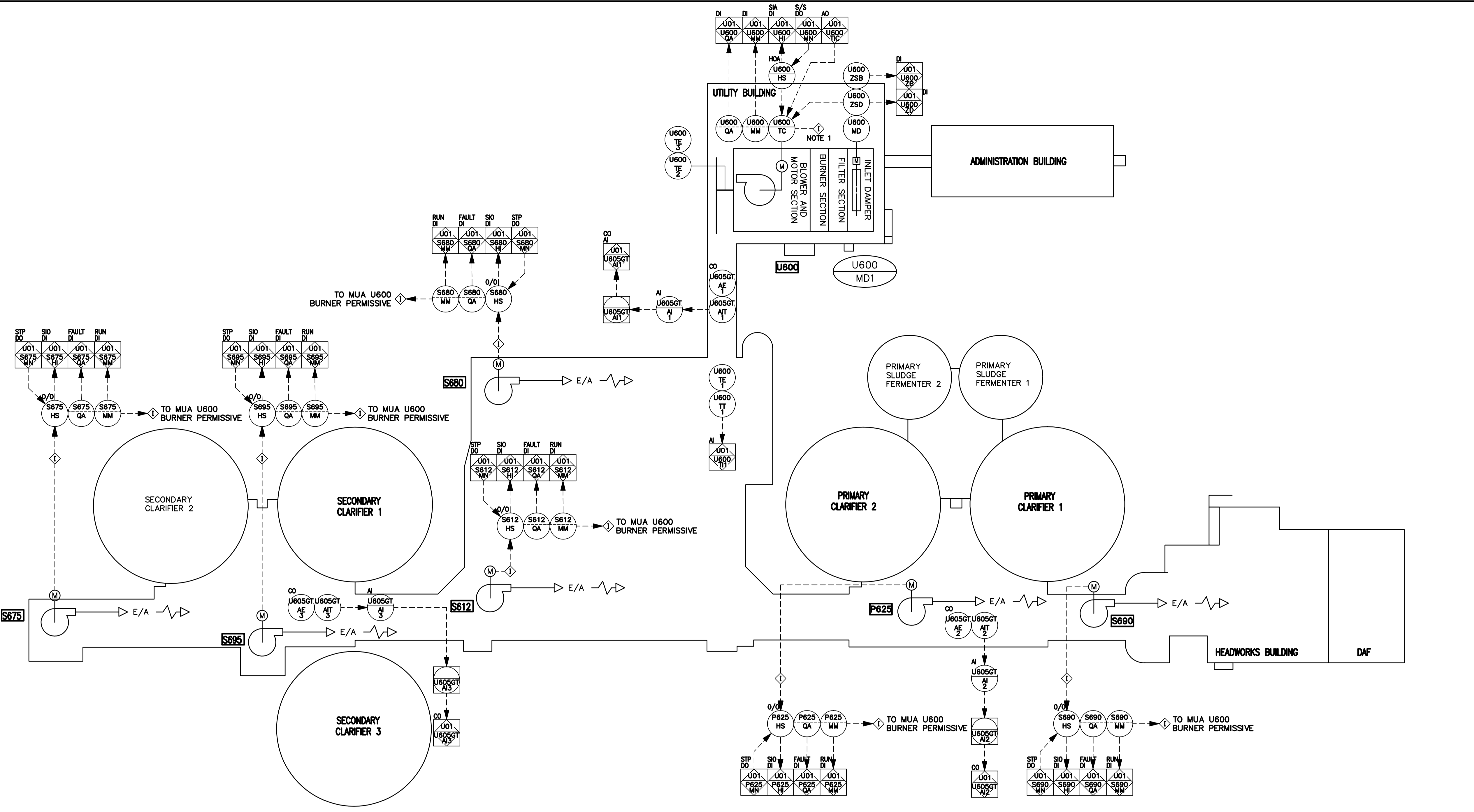


CW-10-M680-1  
 P:\Projects\2009\09-0754-08\Dwg\Elec\1-0103V-P0001-001.dwg - Tab: 1-0103V-P0001-001 Plotted By: Gnelson 02/09/2011 [Wed 1:14pm]



SEQUENCE OF OPERATION

DEVICE LISTING

TAG	DESCRIPTION
<b>NON-PACKAGED</b>	
P625-HS	EXHAUST FAN P625 HAND/OFF/AUTO SWITCH
P625-MM	EXHAUST FAN P625 RUN STATUS
P625-QA	EXHAUST FAN P625 FAULT STATUS
P625-MN	EXHAUST FAN P625 START/STOP
S612-HS	EXHAUST FAN S612 HAND/OFF/AUTO SWITCH
S612-MM	EXHAUST FAN S612 RUN STATUS
S612-QA	EXHAUST FAN S612 FAULT STATUS
S612-MN	EXHAUST FAN S612 START/STOP
S675-HS	EXHAUST FAN S675 HAND/OFF/AUTO SWITCH
S675-MM	EXHAUST FAN S675 RUN STATUS
S675-QA	EXHAUST FAN S675 FAULT STATUS
S675-MN	EXHAUST FAN S675 START/STOP
S680-HS	EXHAUST FAN S680 HAND/OFF/AUTO SWITCH
S680-MM	EXHAUST FAN S680 RUN STATUS
S680-QA	EXHAUST FAN S680 FAULT STATUS
S680-MN	EXHAUST FAN S680 START/STOP
S690-HS	EXHAUST FAN S690 HAND/OFF/AUTO SWITCH
S690-MM	EXHAUST FAN S690 RUN STATUS
S690-QA	EXHAUST FAN S690 FAULT STATUS
S690-MN	EXHAUST FAN S690 START/STOP
S695-HS	EXHAUST FAN S695 HAND/OFF/AUTO SWITCH
S695-MM	EXHAUST FAN S695 RUN STATUS
S695-QA	EXHAUST FAN S695 FAULT STATUS
S695-MN	EXHAUST FAN S695 START/STOP
U600-AE/AIT-1	UTILITIES BLDG TUNNEL CO DETECTOR & TRANSMITTER
U600-AE/AIT-2	PRIMARY CLARIFIERS BLDG TUNNEL CO DETECTOR & TRANSMITTER
U600-AE/AIT-3	SECONDARY CLARIFIERS BLDG TUNNEL CO DETECTOR & TRANSMITTER
U600-TE/TT-1	MUA U600 TEMPERATURE
<b>PACKAGED</b>	
U600-HS	EXHAUST FAN U600 HAND/OFF/AUTO SWITCH
U600-TC	MUA U600 TEMPERATURE CONTROLLER
U600-MM	MUA U600 RUN STATUS
U600-QA	MUA U600 INLET DAMPER FAILURE ALARM
U600-MD	MUA U600 INLET DAMPER
U600-ZSB	MUA U600 INLET DAMPER CLOSE LIMIT
U600-ZSD	MUA U600 INLET DAMPER OPEN LIMIT
U600-TE2	MUA U600 DISCHARGE TEMPERATURE TRANSMITTER
U600-TE3	MUA U600 FREEZE PROTECTION

AREA/EQUIPMENT TAG	U600
FUNCTION	MUA DIRECT FIRED
TYPE	
VOLUME (L/s)	16,500
HEAT INPUT (kW)	1,289
ELEC. LOAD (kW)	

AREA/EQUIPMENT TAG	S612	S675	S680	S690	S695	P625
FUNCTION	EF	EF	EF	EF	EF	EF
TYPE	CENTRI.	CENTRI.	CENTRI.	CENTRI.	CENTRI.	CENTRI.
VOLUME (L/s)	490	1500	1500	1500	6000	6000
HEAT INPUT (kW)	N/A	N/A	N/A	N/A	N/A	N/A
ELEC. LOAD (kW)						

AREA/EQUIPMENT TAG	S612	S675	S680	S690	S695	P625
FUNCTION	EF	EF	EF	EF	EF	EF
TYPE	CENTRI.	CENTRI.	CENTRI.	CENTRI.	CENTRI.	CENTRI.
VOLUME (L/s)	490	1500	1500	1500	6000	6000
HEAT INPUT (kW)	N/A	N/A	N/A	N/A	N/A	N/A
ELEC. LOAD (kW)						

**APEGN**  
 Certificate of Authorization  
 KGS Group  
 No. 245 Date: 2011/02/10

**KGS GROUP**  
 CONSULTING ENGINEERS

**ALLIANCE**  
 Engineering Services Inc.

DESIGNED BY	DDW	CHECKED BY	REW
DRAWN BY	GCN	APPROVED BY	REW
HOR. SCALE	N.T.S.	RELEASED FOR CONSTRUCTION	
VERTICAL	N.T.S.		
NO. REVISIONS	DATE	BY	DATE
01	ISSUED FOR ADDENDUM	2011-02-10	REW
00	ISSUED FOR TENDER	2010-12-21	REW

ENGINEER'S SEAL  
 THE ORIGINAL ISSUE REV. 00 WAS STAMPED, DATED AND SIGNED BY:  
 R.E. WILLMS, P.ENG  
 ON 2010/12/21  
 TENDER No. UP2.1  
 FILENAME :  
 PLOT DATE:

**THE CITY OF WINNIPEG**  
 WATER AND WASTE DEPARTMENT

2010 HVAC REPLACEMENT AND ASSOCIATED WORKS  
**WEWPC**  
 AREA U - TUNNEL VENTILATION PROCESS & INSTRUMENTATION DIAGRAM

SHEET 1 OF 1  
 CITY DRAWING NUMBER  
 1-0103V-P0001-001