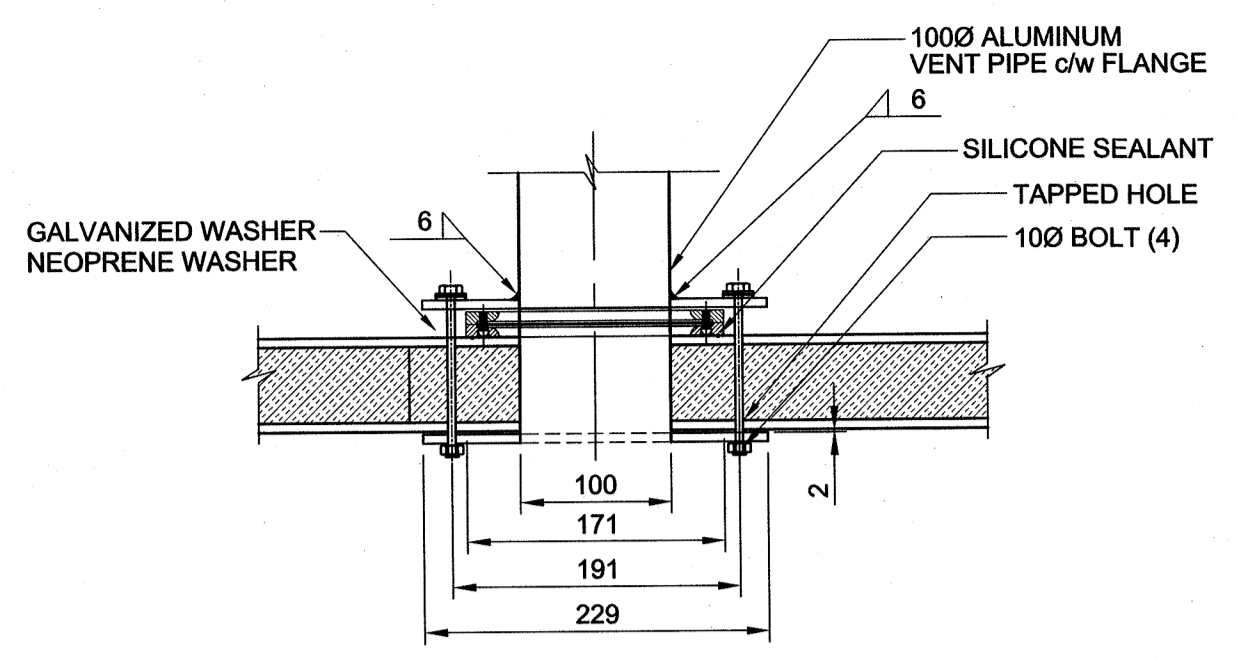


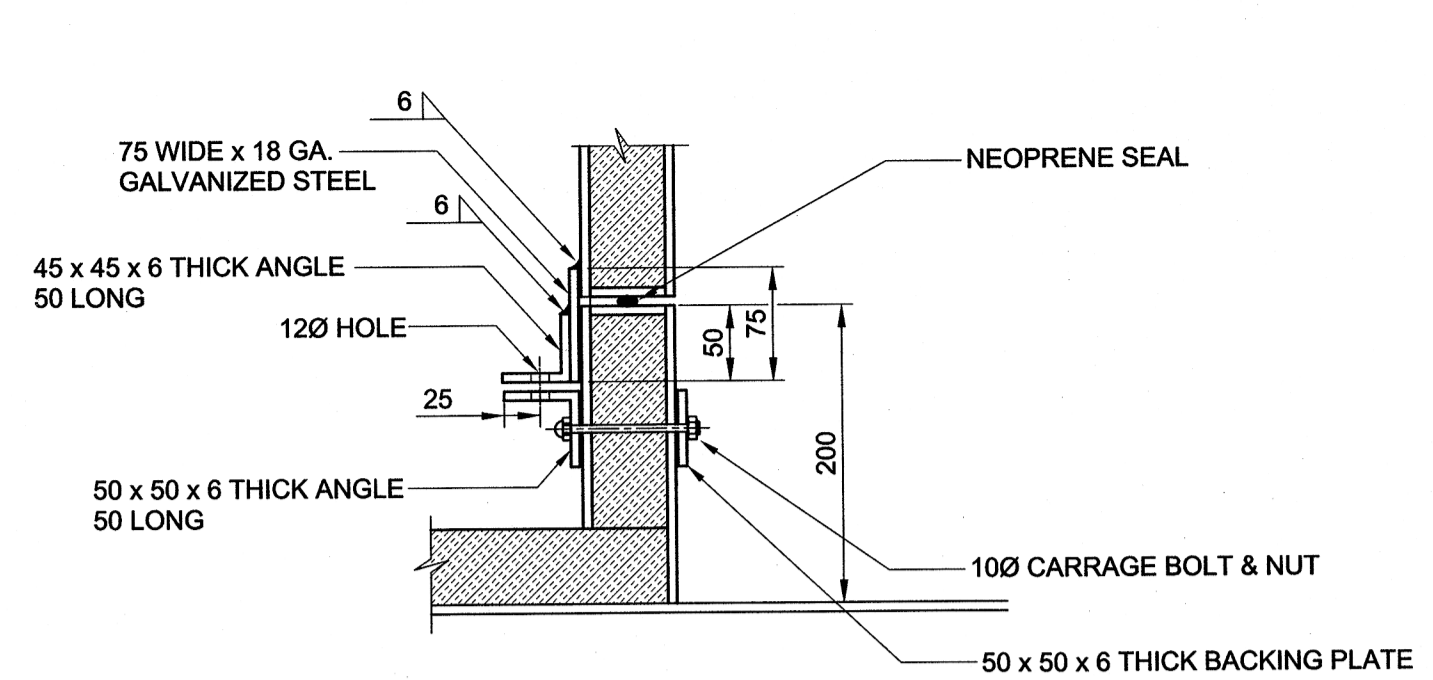
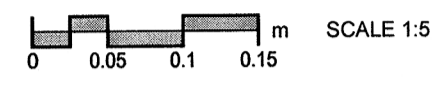
D SIZE 22" x 34" (559mm x 864mm)

PLOT: 11/06/06 1:57:56 PM

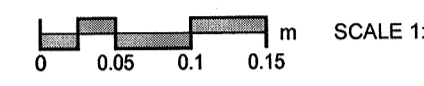
AECOM REVIEW DRFT CHK  
AECOM FILE NAME: D265-230-02\_01-C-4002\_RX.dwg Saved By:



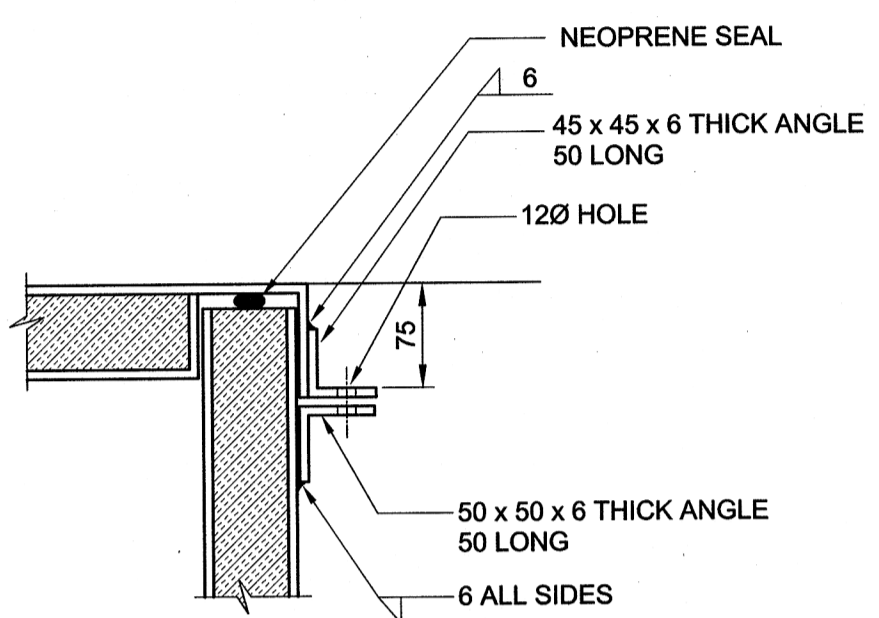
**AIR DAMPER RETAINER CLIP DETAIL**



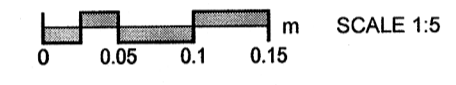
**FASTENING DETAIL**



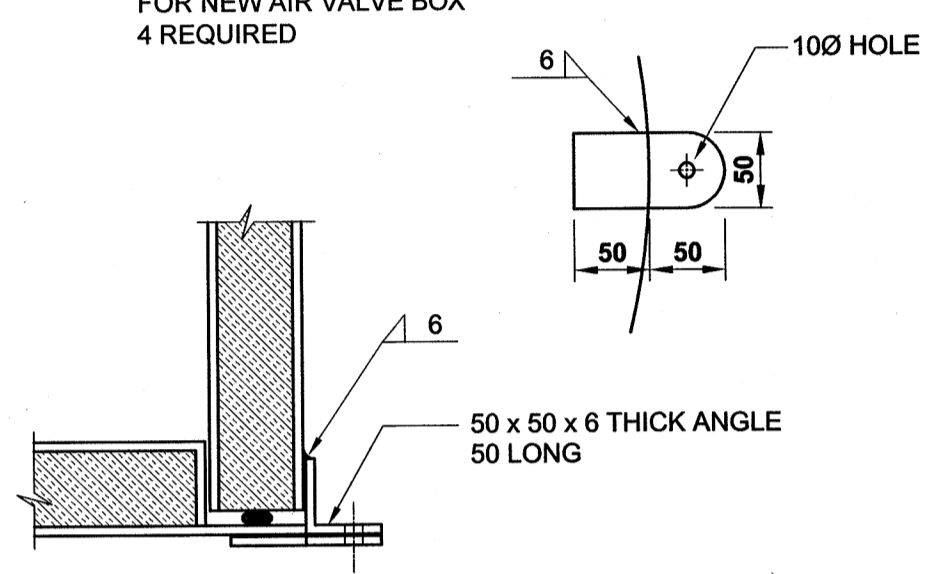
FOR NEW AIR VALVE BOX 4 REQUIRED



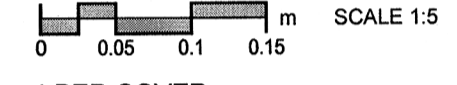
**LOCKABLE COVER 'A' DETAIL**



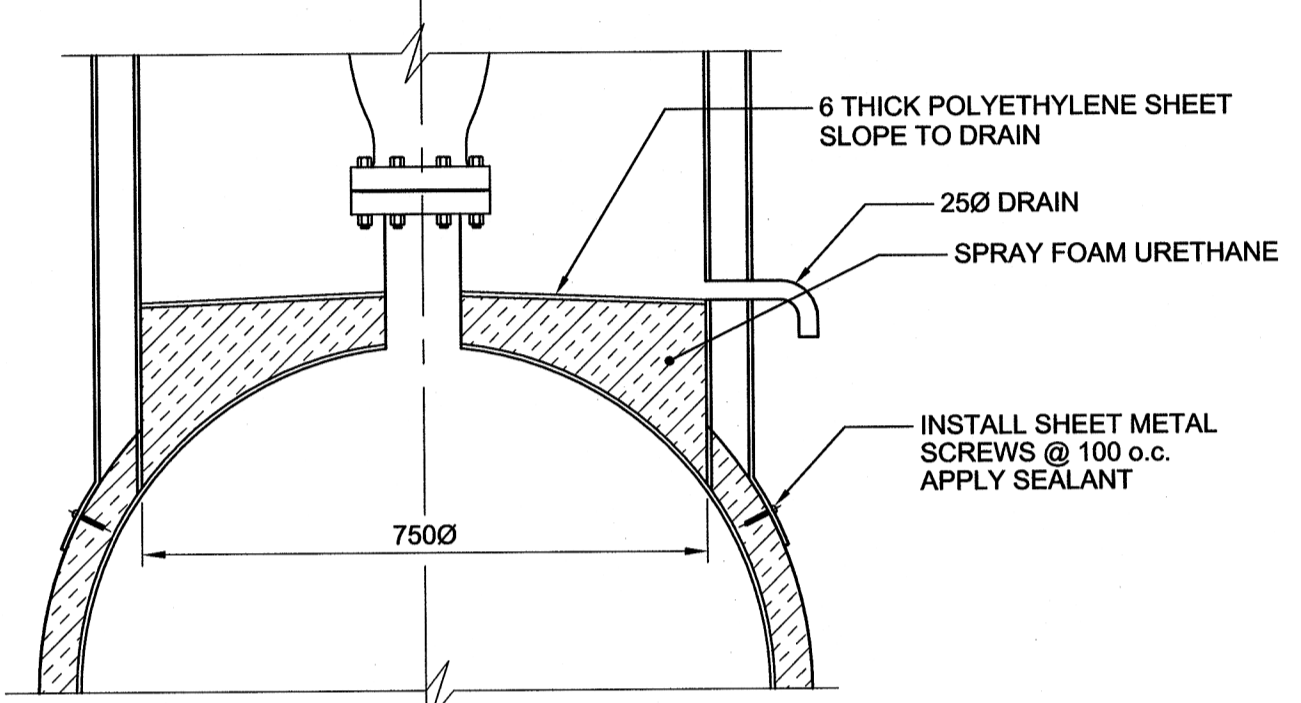
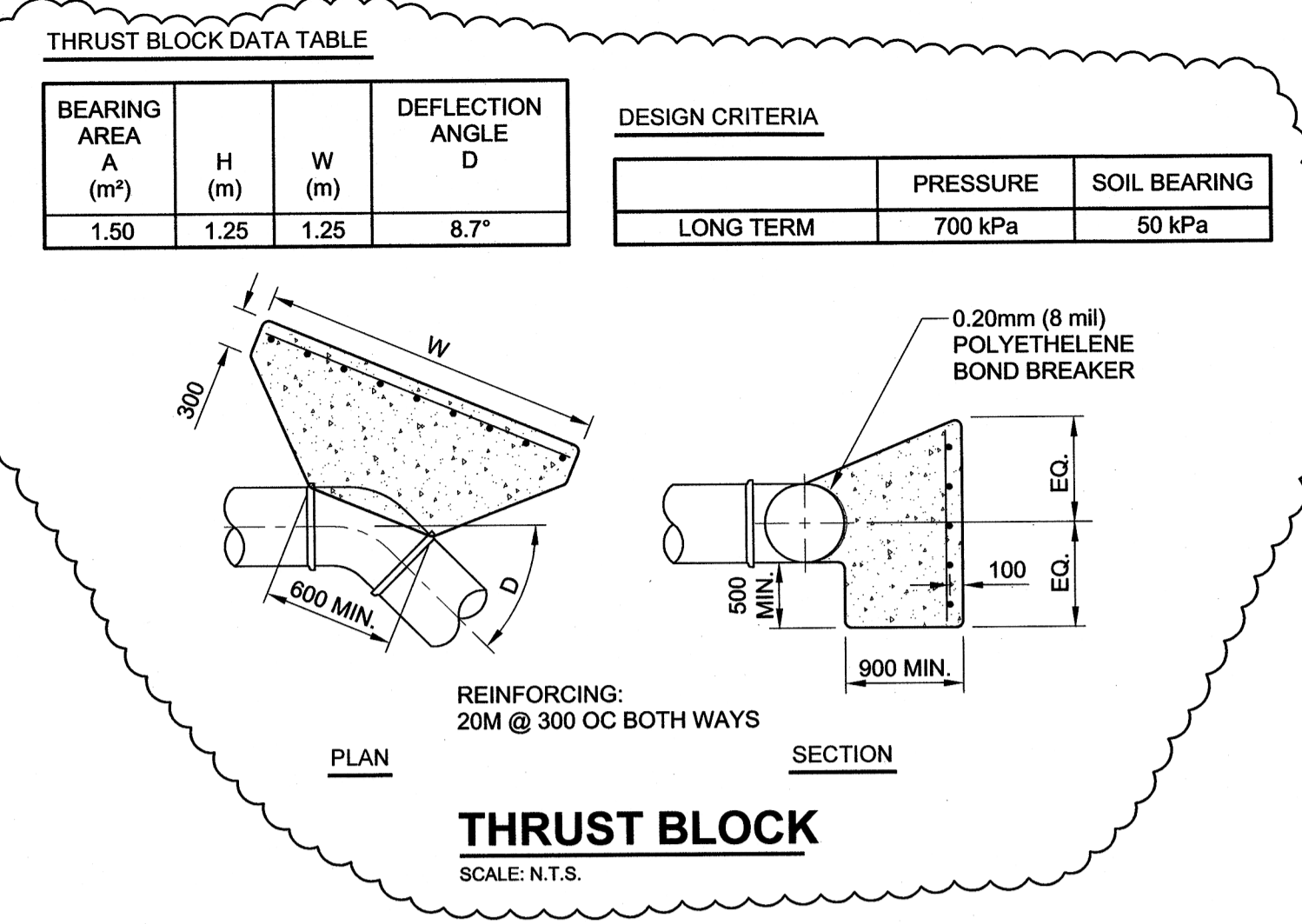
4 PER COVER



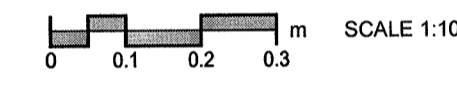
**LOCKABLE COVER 'B' DETAIL**



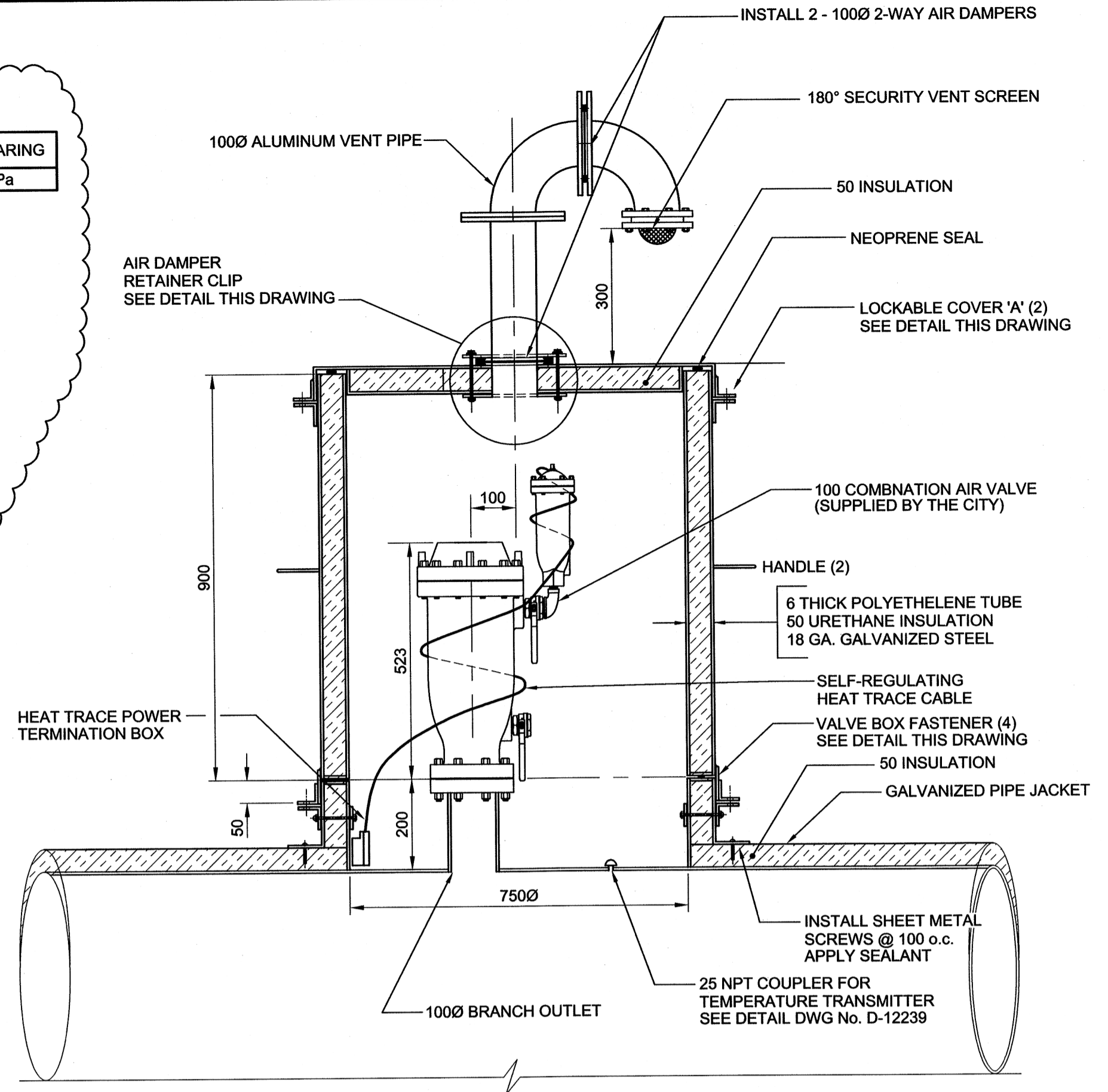
4 PER COVER



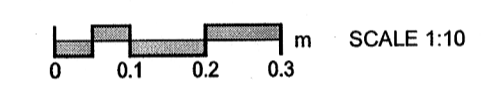
**NEW AIR VALVE BOX**



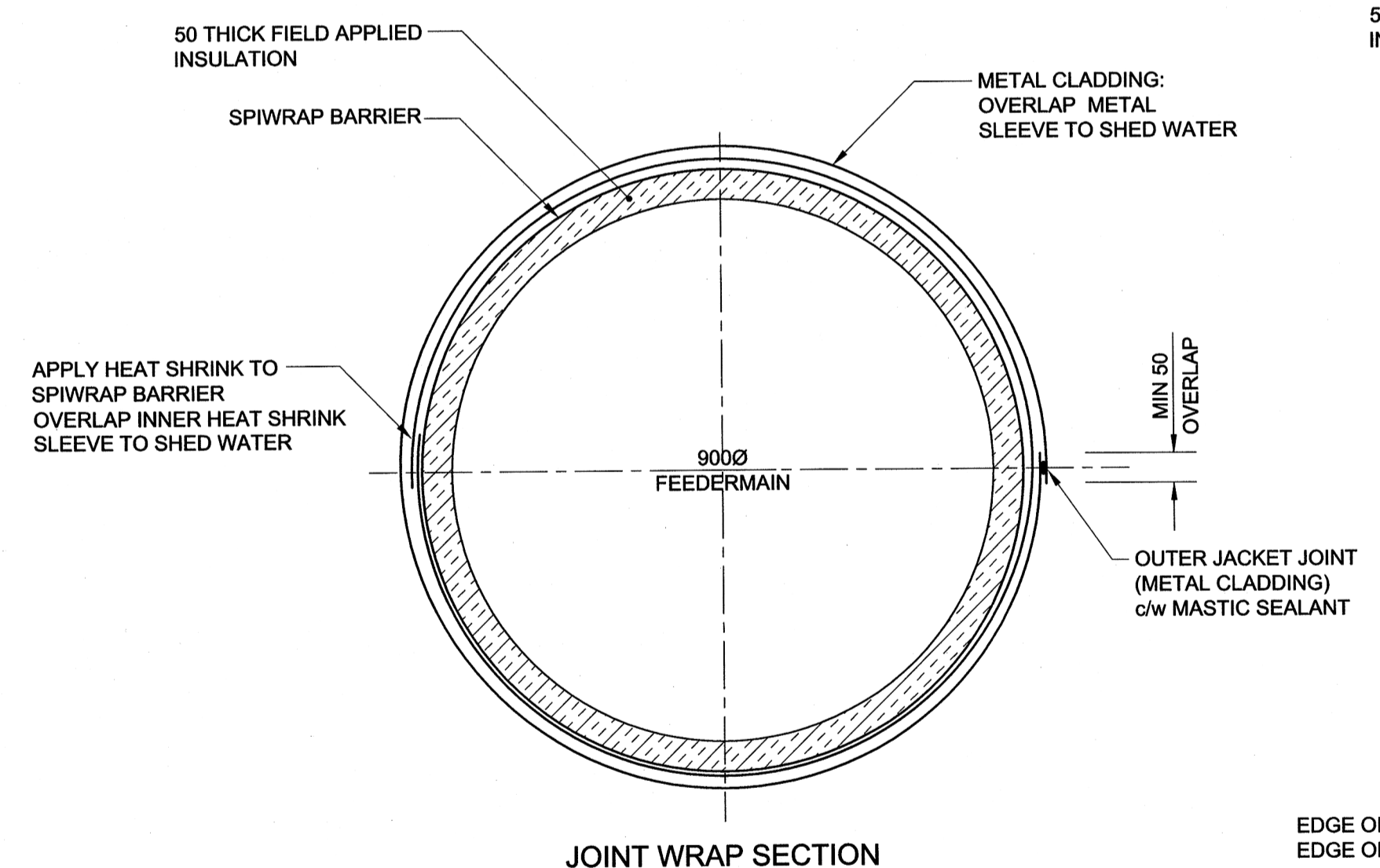
END VIEW



**NEW AIR VALVE BOX**

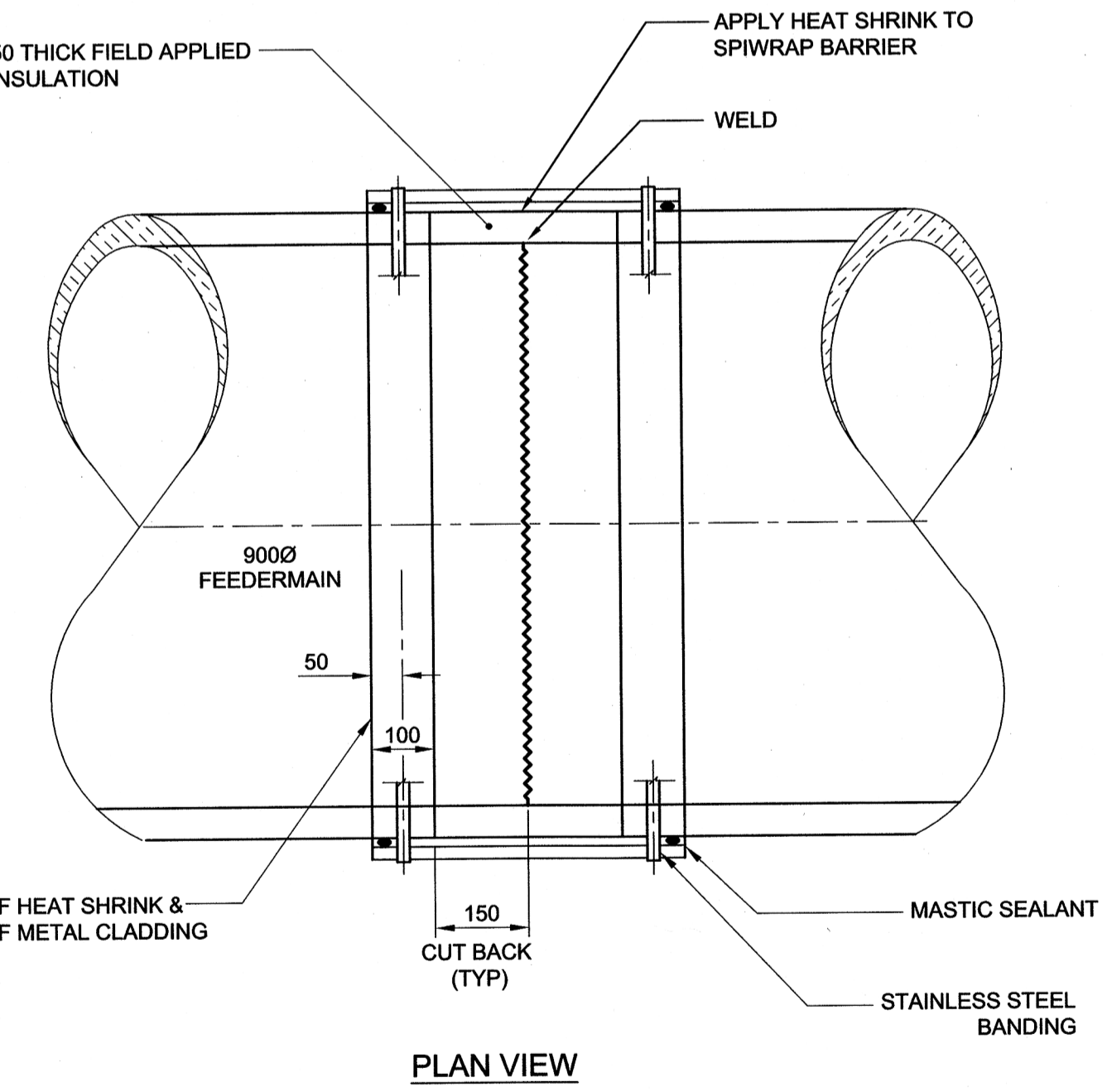
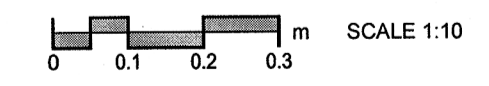


SECTION

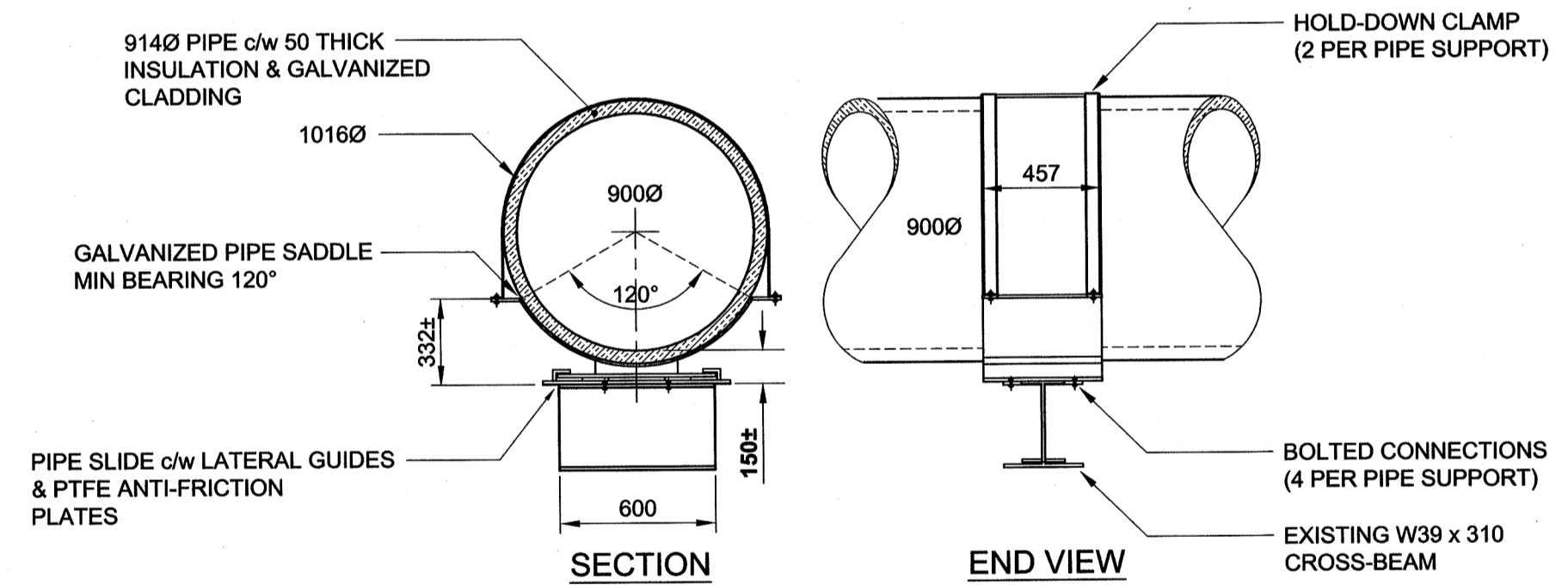


**JOINT WRAP SECTION**

**FIELD INSULATION DETAIL**



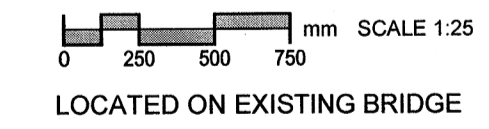
**PLAN VIEW**



**TYPICAL PIPE SLIDE DESIGN NOTES:**

1. SLIDE SHALL ACCOMMODATE MIN 100 LONGITUDINAL MOVEMENT.
2. SLIDE SHALL BE DESIGNED TO PREVENT LATERAL MOVEMENT.
3. SLIDE SHALL BE BOLTED TO EXISTING BRIDGE MEMBER.
4. SLIDE SHALL BE DESIGNED FOR OPERATING TEMPERATURE +40° TO -40°C.
5. ALL COMPONENTS TO BE HOT DIPPED ZINC GALVANIZED
6. SLIDE SHALL BE DESIGNED FOR A WORKING LOAD OF 12,400 x 1.25 SAFETY FACTOR

**FEEDERMAIN PIPE SUPPORTS WITH TEFLON SLIDE**



LOCATED ON EXISTING BRIDGE

**AECOM**  
Certificate of Authorization  
AECOM Canada Ltd.  
No. 4671 Date: 06 June 2011

150 WM	WATERMAIN	150 WM	150 WM	WATERMAIN	150 WM	WATERMAIN	150 WM
○	HYDRANT	○	○	○	○	○	○
○	VALVE	○	○	○	○	○	○
○	LAND DRAINAGE SEWER	○	○	○	○	○	○
○	WASTE WATER SEWER	○	○	○	○	○	○
○	MANHOLE	○	○	○	○	○	○
○	CATCH BASIN	○	○	○	○	○	○
○	CURB INLET	○	○	○	○	○	○
○	CULVERT	○	○	○	○	○	○
○	PIPE ABANDONMENTS	○	○	○	○	○	○
○	SURVEY BAR	○	○	○	○	○	○
○	EXISTING	○	○	○	○	○	○
○	LEGEND - PLAN	○	○	○	○	○	○
○	NEW	○	○	○	○	○	○
○	EXISTING	○	○	○	○	○	○
○	LEGEND - PROFILE	○	○	○	○	○	○
○	NEW	○	○	○	○	○	○
○	EXISTING	○	○	○	○	○	○
○	LEGEND - PLAN	○	○	○	○	○	○
○	NEW	○	○	○	○	○	○
○	EXISTING	○	○	○	○	○	○
○	LEGEND - PROFILE	○	○	○	○	○	○
○	NEW	○	○	○	○	○	○
○	EXISTING	○	○	○	○	○	○

LOCATION APPROVED	DATE
SUPR. U/G STRUCTURES COMMITTEE	
NOTE: LOCATION OF UNDERGROUND STRUCTURES AS SHOWN ARE BASED ON THE BEST INFORMATION AVAILABLE. BUT NO GUARANTEE IS GIVEN THAT ALL EXISTING UTILITIES ARE SHOWN OR THAT THE GIVEN LOCATIONS ARE EXACT. CONFIRMATION OF EXISTENCE AND EXACT LOCATION OF ALL SERVICES MUST BE OBTAINED FROM THE INDIVIDUAL UTILITIES BEFORE PROCEEDING WITH CONSTRUCTION.	

NO.	REVISIONS	DATE	BY
1	REVISED AS PER ADDENDUM No. 2	11/06/06	WJd
0	ISSUED FOR CONSTRUCTION	11/05/09	WJd

DESIGNED BY	MGM	CHECKED BY	DATE
DRAWN BY	WJd	APPROVED BY	
HOR. SCALE	1:250	RELEASED FOR CONSTRUCTION	
VERT. SCALE	1:50	DATE	

PROFESSIONAL'S SEAL  
PROVINCE OF MANITOBA  
06 June 2011  
C.C. MACEY  
REGISTERED ENGINEER  
CONSULTANT DRAWING NO.  
D265-230-02\_01-C-4002\_RX.dwg

**THE CITY OF WINNIPEG**  
WATER AND WASTE DEPARTMENT  
REHABILITATION / REPLACEMENT OF THE  
MID TOWN FEEDERMAIN AT THE  
ASSINIBOINE RIVER  
CIVIL  
PIPE SECTIONS & DETAILS  
South & North Connections

SHEET 5 OF 18  
CITY DRAWING NUMBER  
REV  
D-12231 1

BID OPPORTUNITY NO. 854-2010