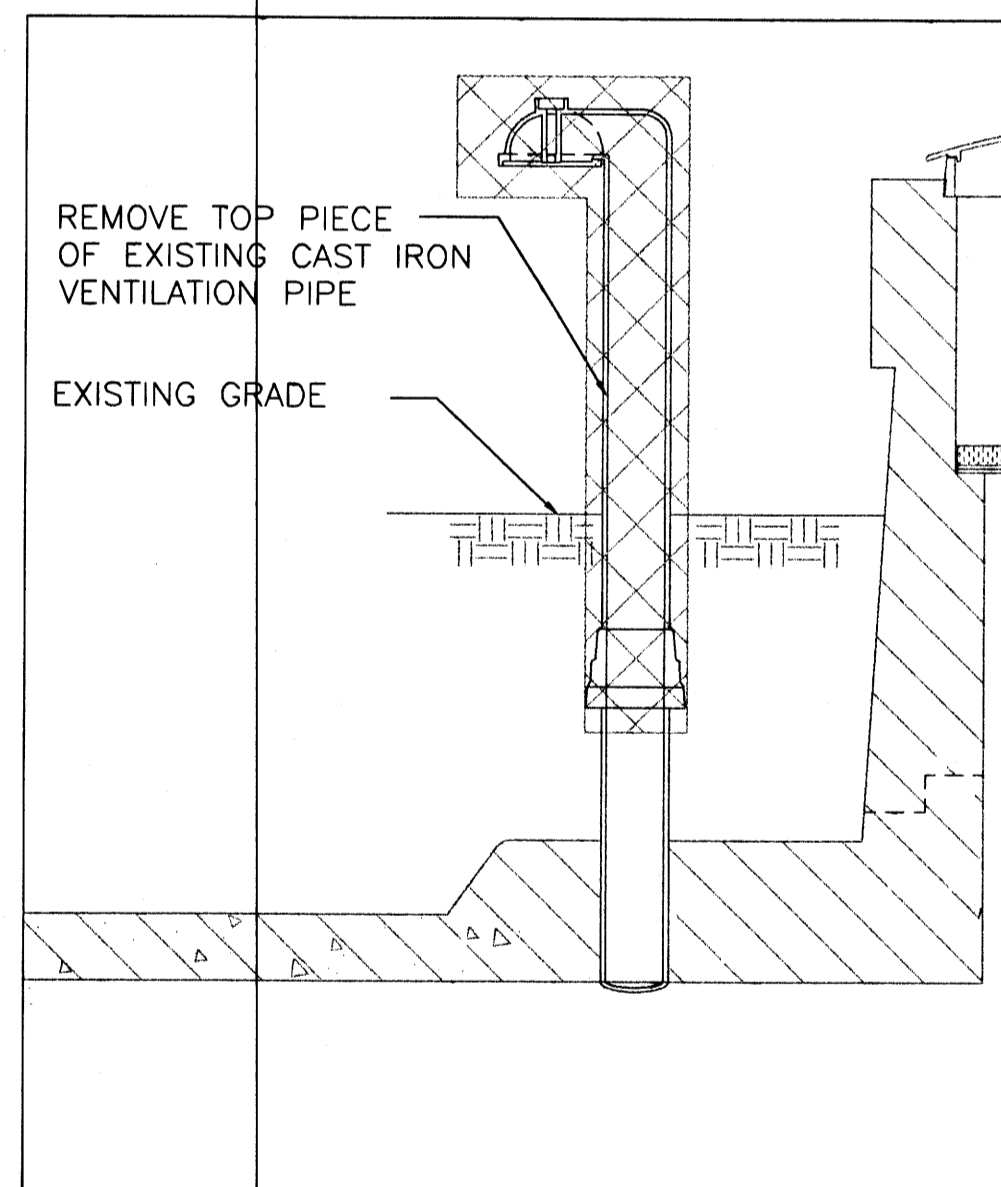
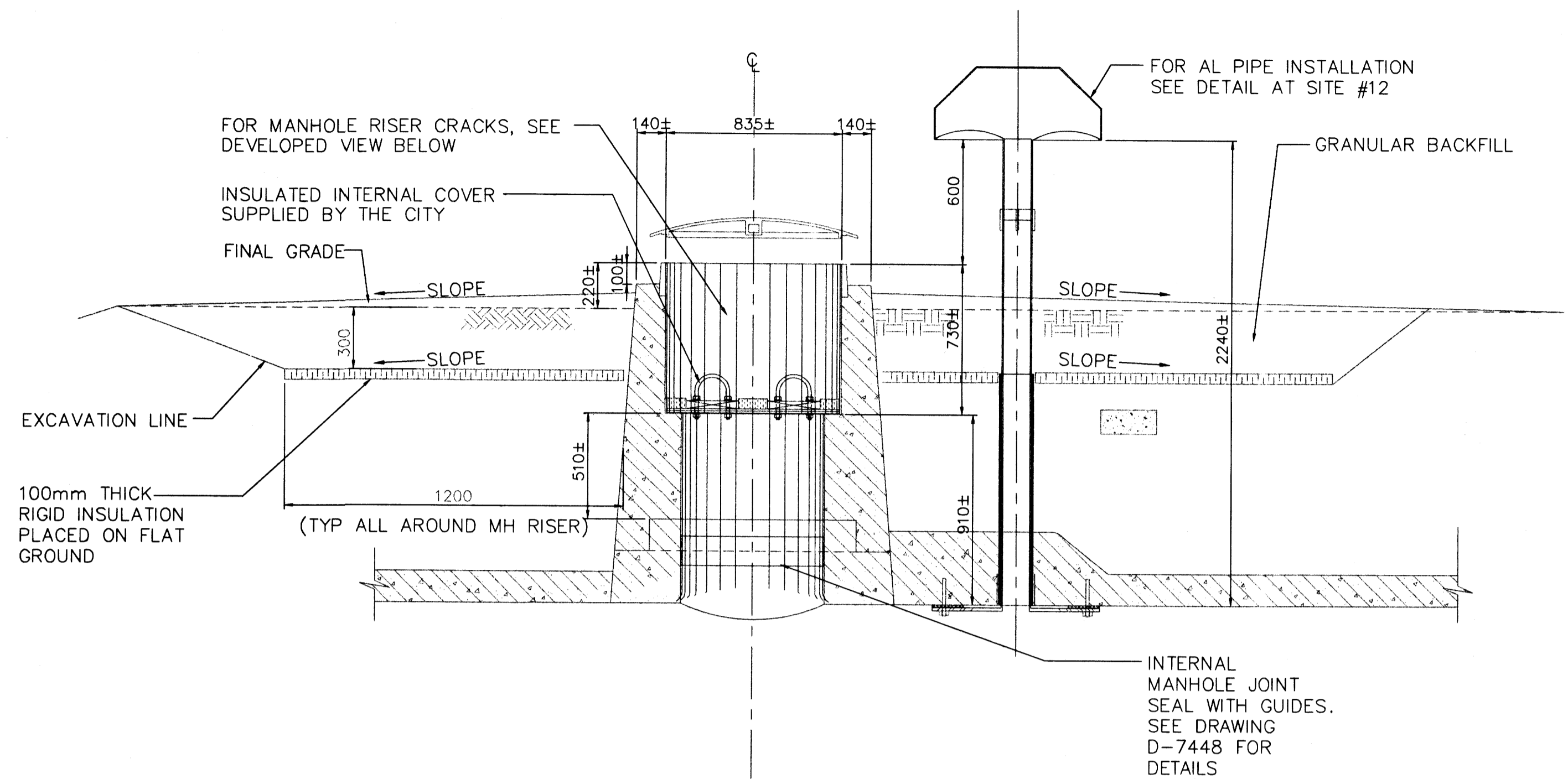


SECTION



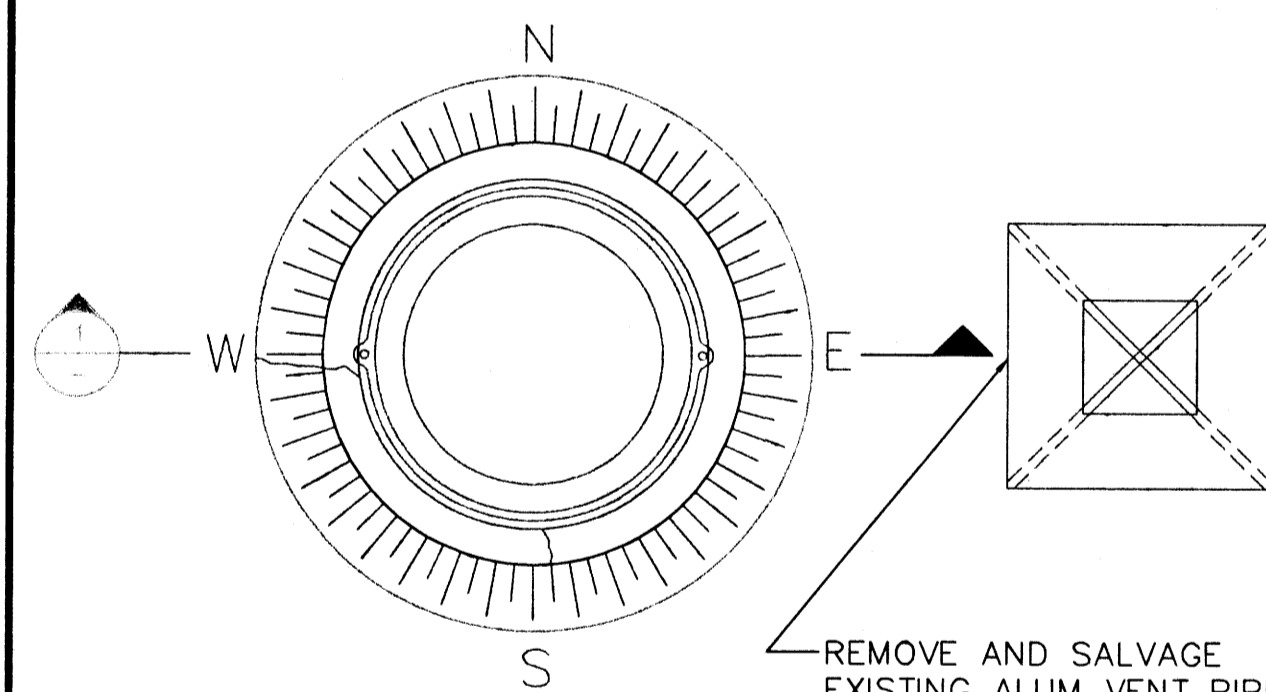
DEMOLITION DETAIL  
SCALE: NTS

STANDARD MANHOLE AT  
MILE 93.69 (SITE # 10)

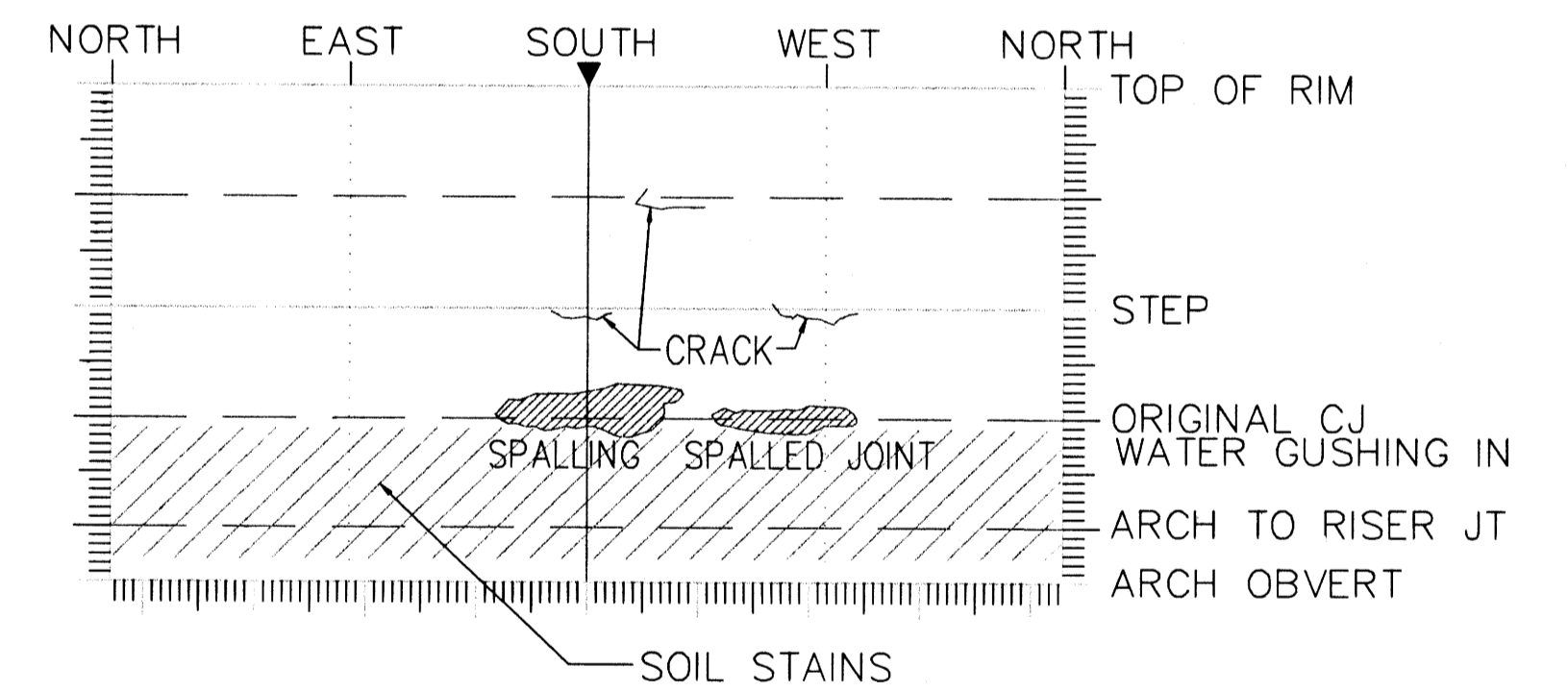


SECTION

1:20



PLAN



DEFECT MAPPING FORM  
DEVELOPED VIEW OF INTERIOR  
OF EXISTING MANHOLE RISER  
SCALE: NTS

STANDARD MANHOLE AT  
MILE 94.72 (SITE # 11)

TENDER NO. 734-2001

NO.	REVISIONS	DATE	BY

<b>CH2MHILL</b>		<b>UMA</b> UMA Engineering Ltd.	
DESIGNED BY: CK	CHECKED BY: DHG	APPROVED BY: <i>[Signature]</i>	RELEASED BY: <i>[Signature]</i>
DRAWN BY: JC	DATE: 2001.06.09	DATE: 2001.07.11	DATE: 2001.07.11
HOR. SCALE: 1:20	VERTICAL: -	CONSULTANT DRAWING NO. 120355-A1-18057	

ENGINEER  
*[Signature]*  
2001/9/6  
PROFESSIONAL  
CONSULTANT DRAWING NO. 120355-A1-18057

**THE CITY OF WINNIPEG**  
WATER AND WASTE DEPARTMENT

SHOAL LAKE AQUEDUCT  
AQUEDUCT AND DRAINAGE SIPHON REPAIRS  
MILE 82.06 TO MILE 96.77  
MANHOLE AND VENT REPAIRS  
AT MILES 93.69 AND 94.72 (SITES #10 & #11)

SHEET 15 OF 26  
CITY DRAWING NUMBER  
**D-7441**  
REV

00

Frame Name: 0340-A1 (1999.07.08)  
Frame Size: 968 x 801 mm  
Drawing Size: A1 (841 x 594 mm)  
Plot Scale: 1:1