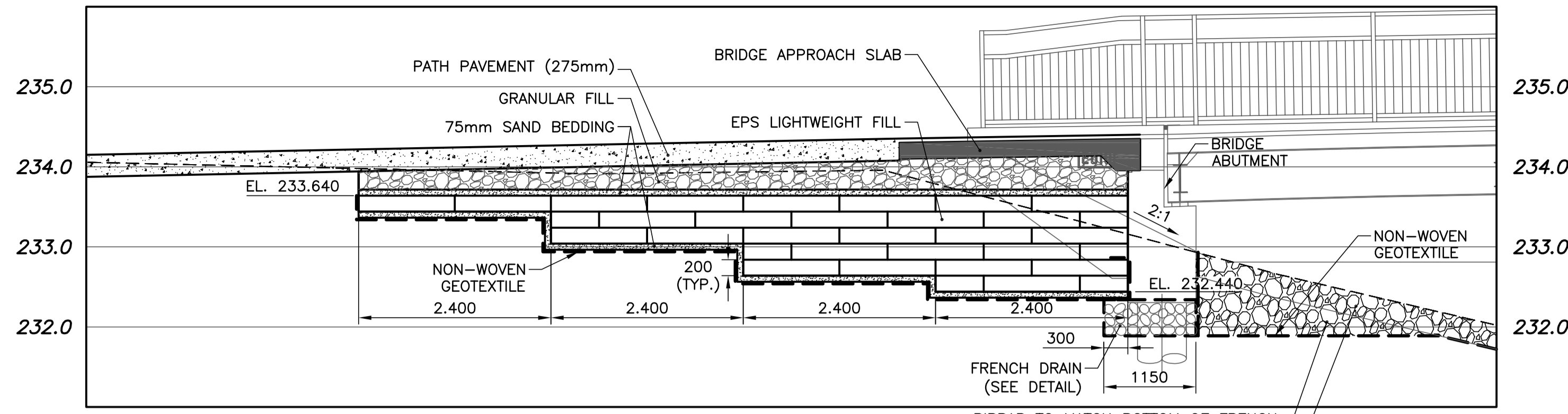
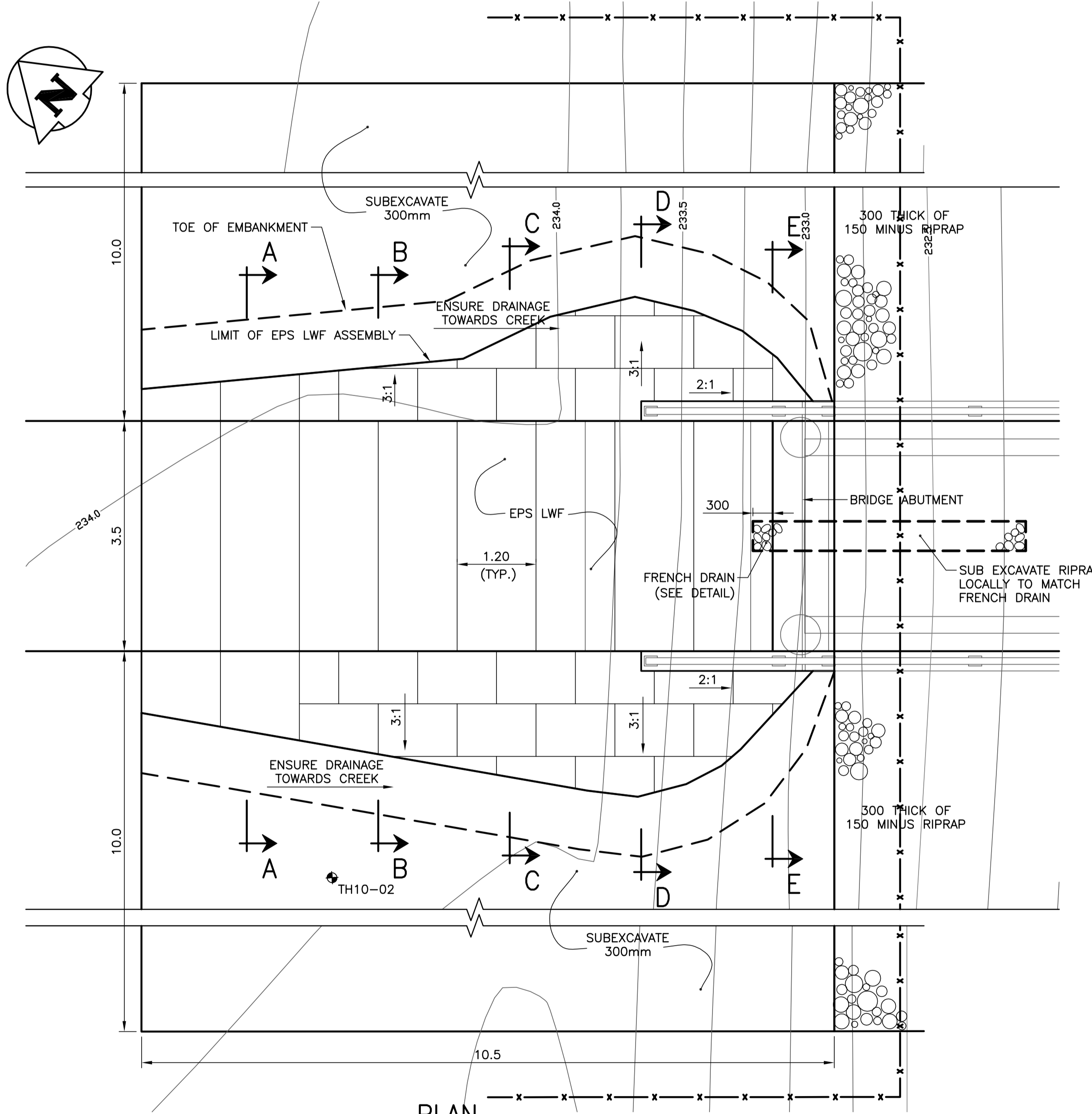


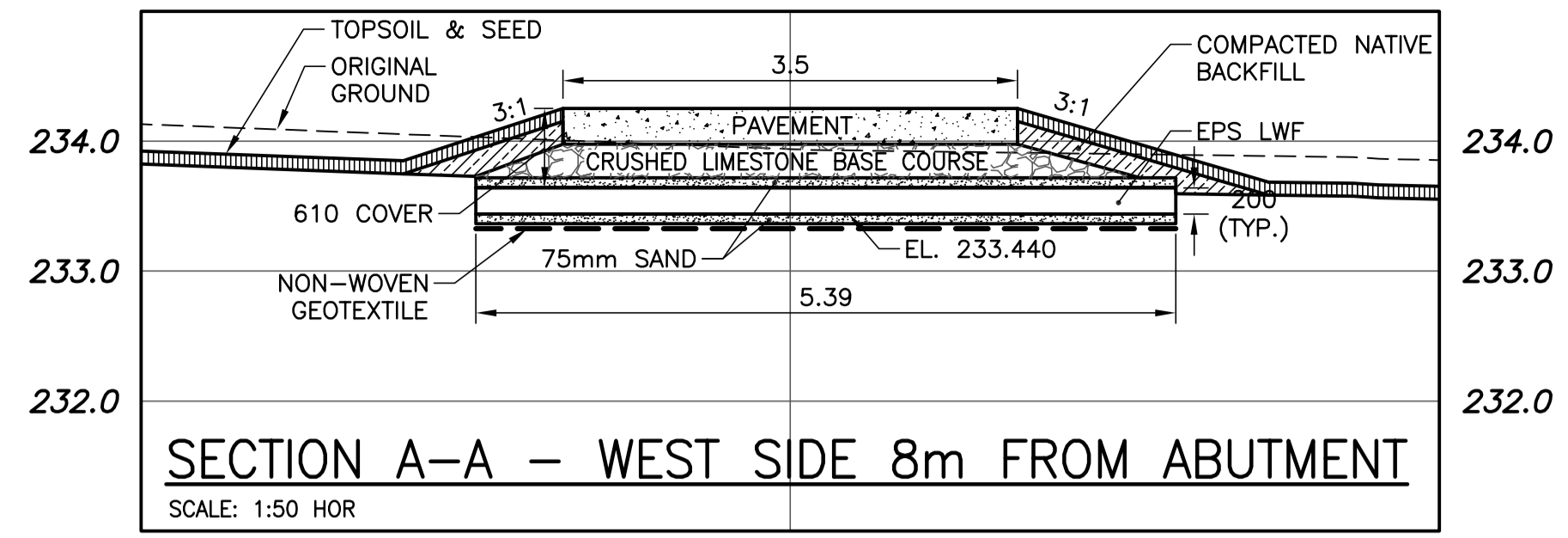
P:\Projects\2009-09-01-21\DWG\Mun\_09-0107-21\_CALL.dwg - Tab: C34 Plotted By: Gloewen 05/11/2010 [Tue 3:05pm]



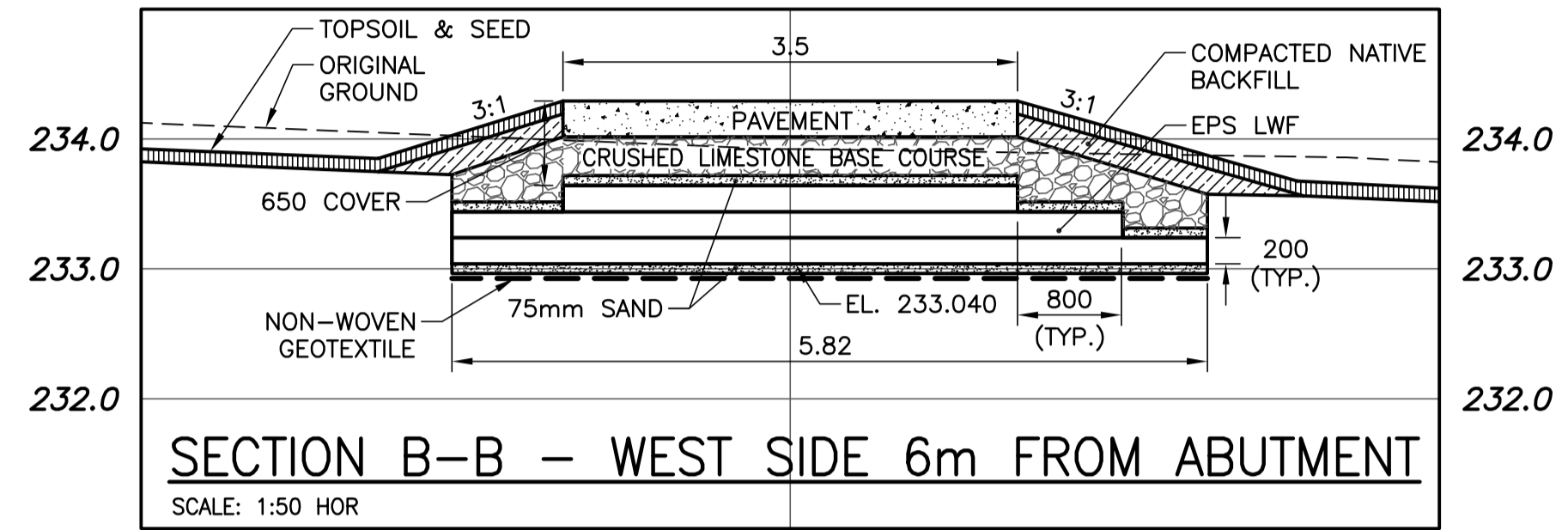
**PROFILE**  
SCALE: 1:50 HOR



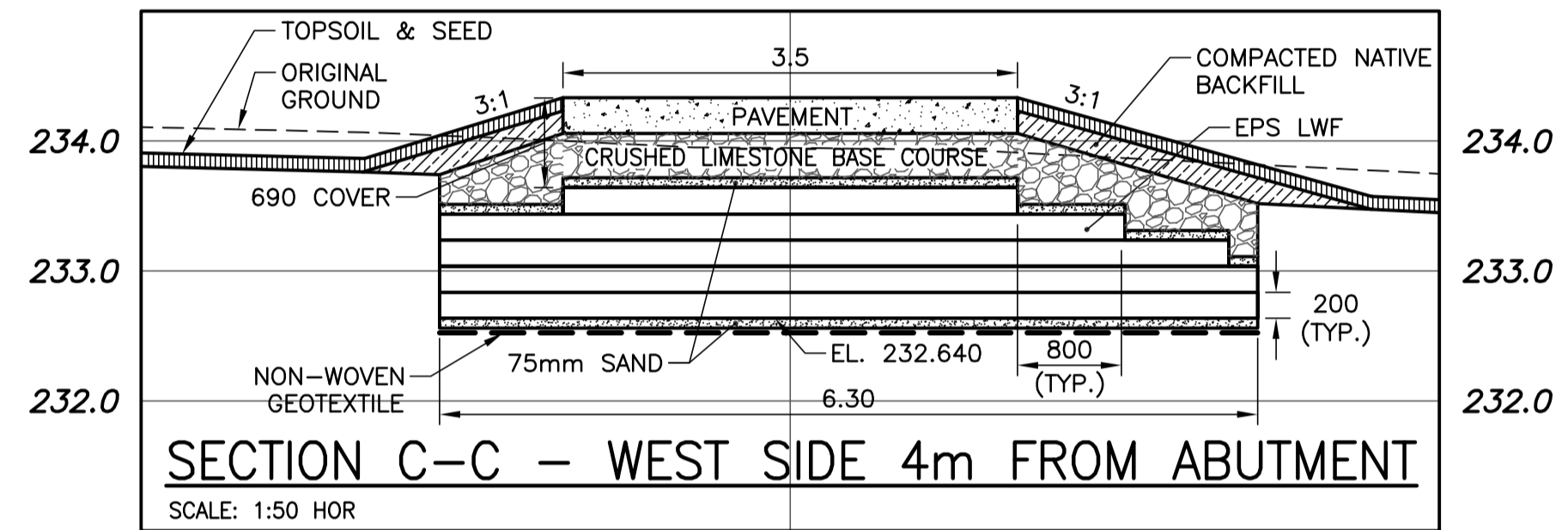
**PLAN**  
SCALE: 1:50 HOR



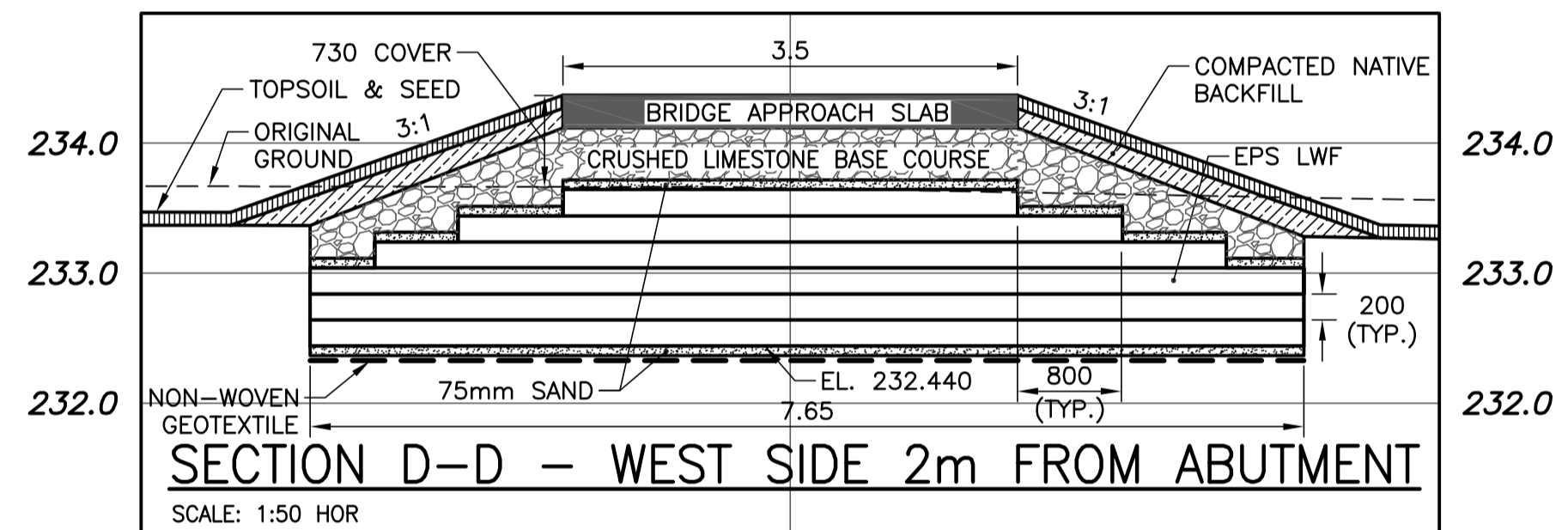
**SECTION A-A - WEST SIDE 8m FROM ABUTMENT**  
SCALE: 1:50 HOR



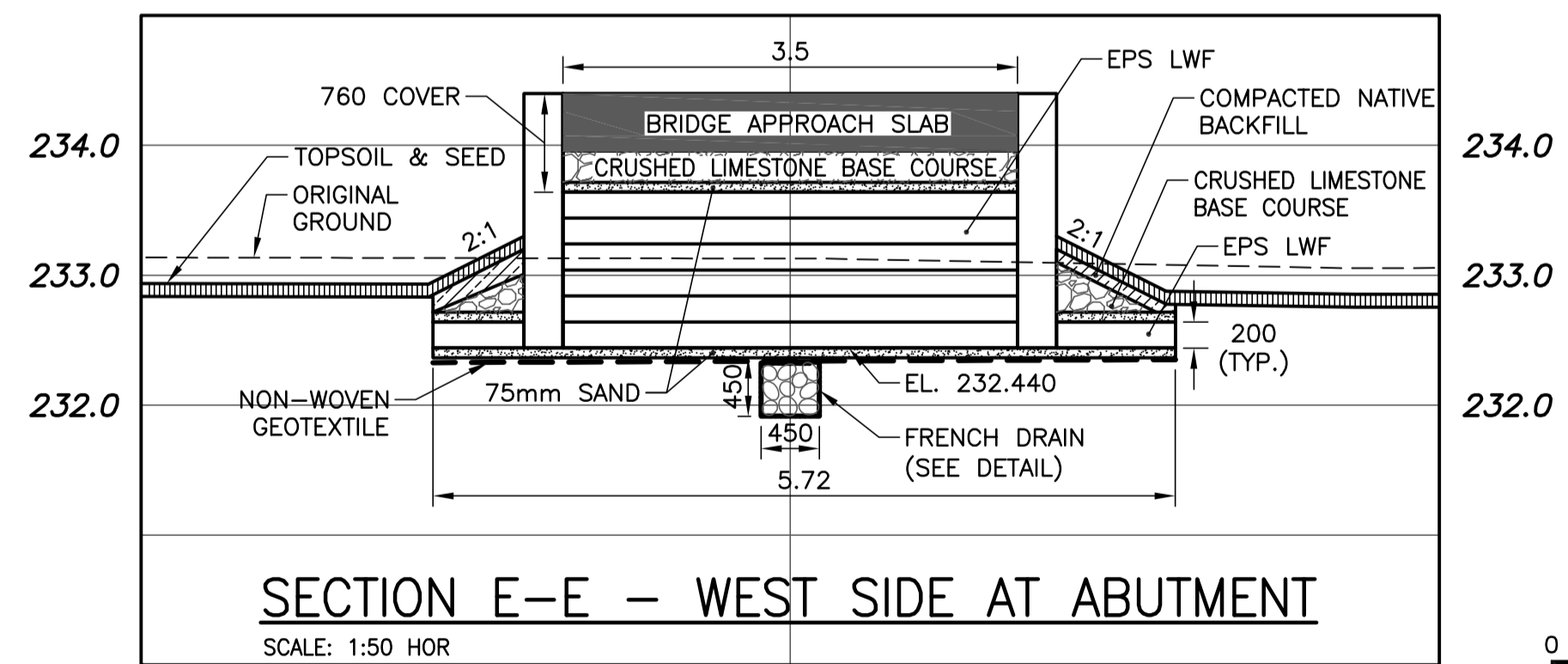
**SECTION B-B - WEST SIDE 6m FROM ABUTMENT**  
SCALE: 1:50 HOR



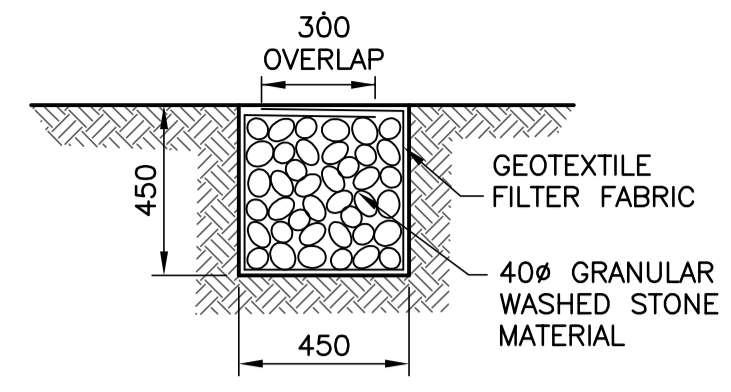
**SECTION C-C - WEST SIDE 4m FROM ABUTMENT**  
SCALE: 1:50 HOR



**SECTION D-D - WEST SIDE 2m FROM ABUTMENT**  
SCALE: 1:50 HOR



**SECTION E-E - WEST SIDE AT ABUTMENT**  
SCALE: 1:50 HOR



**FRENCH DRAIN DETAIL**  
SCALE: 1:20 HOR

**NOTES**

- EPS LWF - EXPANDED POLYSTYRENE LIGHTWEIGHT FILL.
- PLACE TOPSOIL & SEED ON ALL EXCAVATED AREAS AND EMBANKMENT SLOPES.
- ALL EPS LWF SHALL BE ASHTO DESIGNATION EPS100. EPS LWF MATERIALS SHALL CONFORM TO ASTM C578 TESTING SPECIFICATIONS.
- EXCAVATION CONSTRUCTION SEQUENCE SHALL COMMENCE AT THE TOP OF THE BANK AND PROCEED DOWNSLOPE FOR BOTH BANKS.
- WHERE POSSIBLE, THE LONGEST DIMENSION OF THE EPS LWF WILL BE PLACED PERPENDICULAR TO THE DIRECTION OF THE PATHWAY.
- EPS LWF BLOCKS SHALL HAVE A MINIMUM COVER OF 600mm INCLUDING PAVEMENT.
- NO MATERIAL SHALL BE STOCKPILED WITHIN 50m OF THE TOP OF THE BANK.
- THE SMALLEST DIMENSIONS OF THE EPS LWF BLOCKS SHALL BE 0.2m THICK BY 1.2m WIDE. EPS LWF BLOCK SHALL HAVE A MINIMUM LENGTH OF 2.44m.
- PUMP OUT EXCAVATION AS NECESSARY TO ENSURE THAT EXCAVATED FOUNDATION FOR EPS LWF IS DRY AND ABSENT OF STANDING WATER.
- PLACE NON-WOVEN GEOTEXTILE UNDER EPS SAND BEDDING AND RIPRAP.
- CONSTRUCT FRENCH DRAIN IN ACCORDANCE WITH CW 3120. OMIT DRAINAGE PIPE.

**PROPERTY LIMITS DELINEATION**

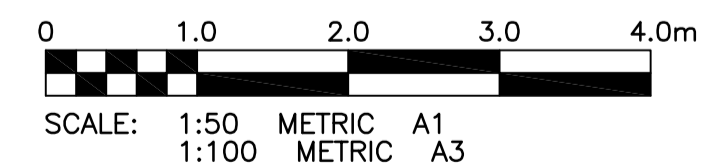
DELINEATION OF PROPERTY LIMITS AS SHOWN ON THIS DWG DOES NOT REPRESENT A "LEGAL SURVEY". KGS GROUP MAKES NO REPRESENTATION OR WARRANTY AS TO THE ACCURACY OF PROPERTY LIMITS DELINEATED ON THIS DWG, NOR ON THE DIMENSIONAL ACCURACY OF DWG FEATURES RELATIVE TO THOSE PROPERTY LIMITS.

**WARNING**

- NOTIFY THE GAS COMPANY OF THE PROPOSED LOCATION OF EXCAVATION.
- TAKE PRECAUTION TO AVOID DAMAGE TO GAS COMPANY INSTALLATIONS.
- SEE PROVINCIAL REGULATION 210/72 FOR DETAILS.

**METRIC**

WHOLE NUMBERS INDICATE MILLIMETRES  
DECIMALIZED NUMBERS INDICATE METRES



Certificate of Authorization  
KGS Group

No. 245 Date: \_\_\_\_\_

150 WM	WATERMAIN	150 WM	HYDRO	150 WM	WATERMAIN
300 LDS	LAND DRAINAGE SEWER	300 LDS	M.T.S.	300 LDS	HYDRANT, VALVE
250 WWS	WASTE WATER SEWER	250 WWS	CONCRETE	250 WWS	LAND DRAINAGE SEWER
	MANHOLE		ASPHALT		WASTE WATER SEWER
	CATCH BASIN		SIDWALK		Q. PROFILE
	CURB INLET		KGS TEST HOLE		NORTH/WEST GUTTER
	JUNCTIONS		PROPERTY LINE		SOUTH/EAST GUTTER
	CULVERT		SURVEY BAR		N/W, S/E B'S
	GAS		DITCH		N/W, S/E TOP/CURB
EXISTING	LEGEND-PLAN	PROPOSED	ELEVATION	EXISTING	NORTH/WEST DITCH
					SOUTH/EAST DITCH

**LOCATION APPROVED UNDERGROUND STRUCTURES**

SUPV. U/G STRUCTURES COMMITTEE DATE \_\_\_\_\_  
NOTE:  
LOCATION OF UNDERGROUND STRUCTURES AS SHOWN ARE BASED ON THE BEST INFORMATION AVAILABLE BUT NO GUARANTEE IS GIVEN THAT ALL EXISTING UTILITIES ARE SHOWN OR THAT THE GIVEN LOCATIONS ARE EXACT. CONFIRMATION OF EXISTENCE AND EXACT LOCATION OF ALL SERVICES MUST BE OBTAINED FROM THE INDIVIDUAL UTILITIES BEFORE PROCEEDING WITH CONSTRUCTION.

B.M. 39-032	S.W. Cor. Moray St. & Silver Ave., Tblt. in N. Conc. foundation No. 65 Moray Village, 3m W. & 0.1m below brick of N.E. Cor. of apartment unit.
ELEV. 238.871m	
1	ISSUED FOR ADDENDUM 1 10/05/13
0	ISSUED FOR TENDER 10/05/03 JDF
NO. REVISIONS	DATE BY

**KGS GROUP CONSULTING ENGINEERS**  
SCATLIFF+MILLER+MURRAY INC.  
DESIGNED BY: JDF  
DRAWN BY: GEL  
CHECKED BY: \_\_\_\_\_  
APPROVED BY: \_\_\_\_\_  
HOR. SCALE: 1:50  
VERTICAL: 1:50  
RELEASED FOR CONSTRUCTION: \_\_\_\_\_  
DATE: 10/04/06

ENGINEER'S SEAL  
**J.D. FRIESEN**  
Member 23875  
CONSULTANT DRAWING NO. 09-0107-21\_C34

**THE CITY OF WINNIPEG PUBLIC WORKS DEPARTMENT**  
PROJECT TITLE: 2010 ACTIVE TRANSPORTATION / INFRASTRUCTURE STIMULUS PROGRAM  
SHEET 34 OF 35  
COMPUTER FILE NAME: 09-0107-21\_CALL  
CITY DRAWING NUMBER: B238-10-08  
TRURO CREEK BRIDGE WEST EMBANKMENT