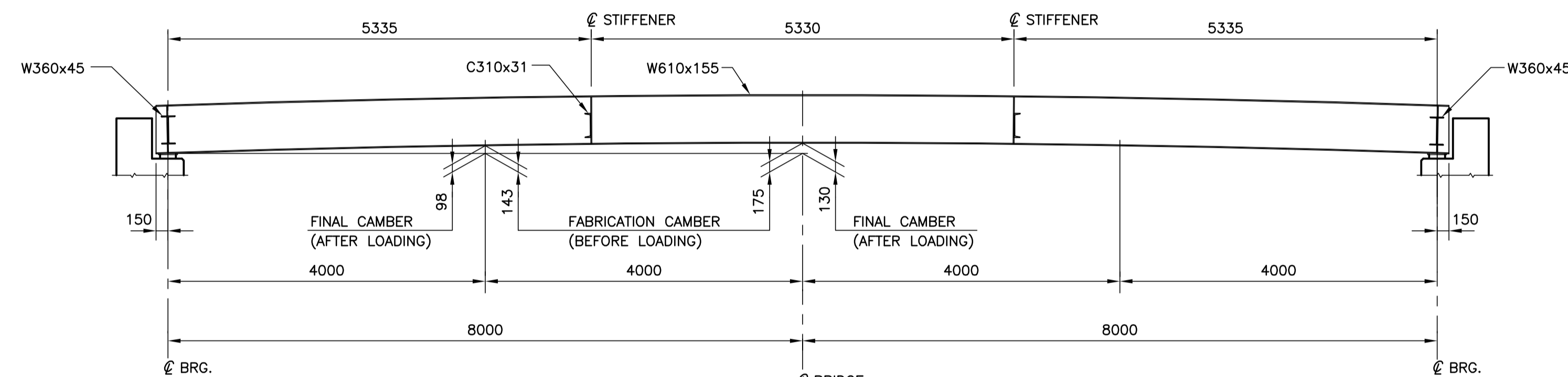
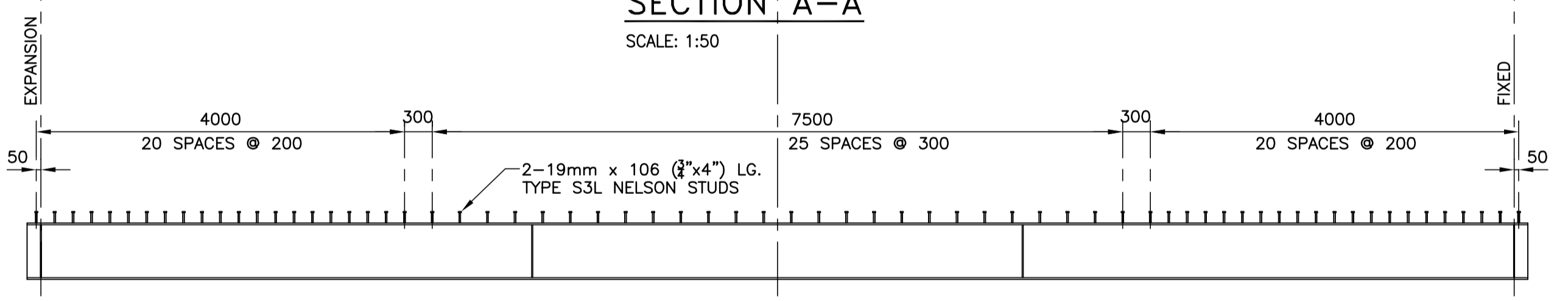


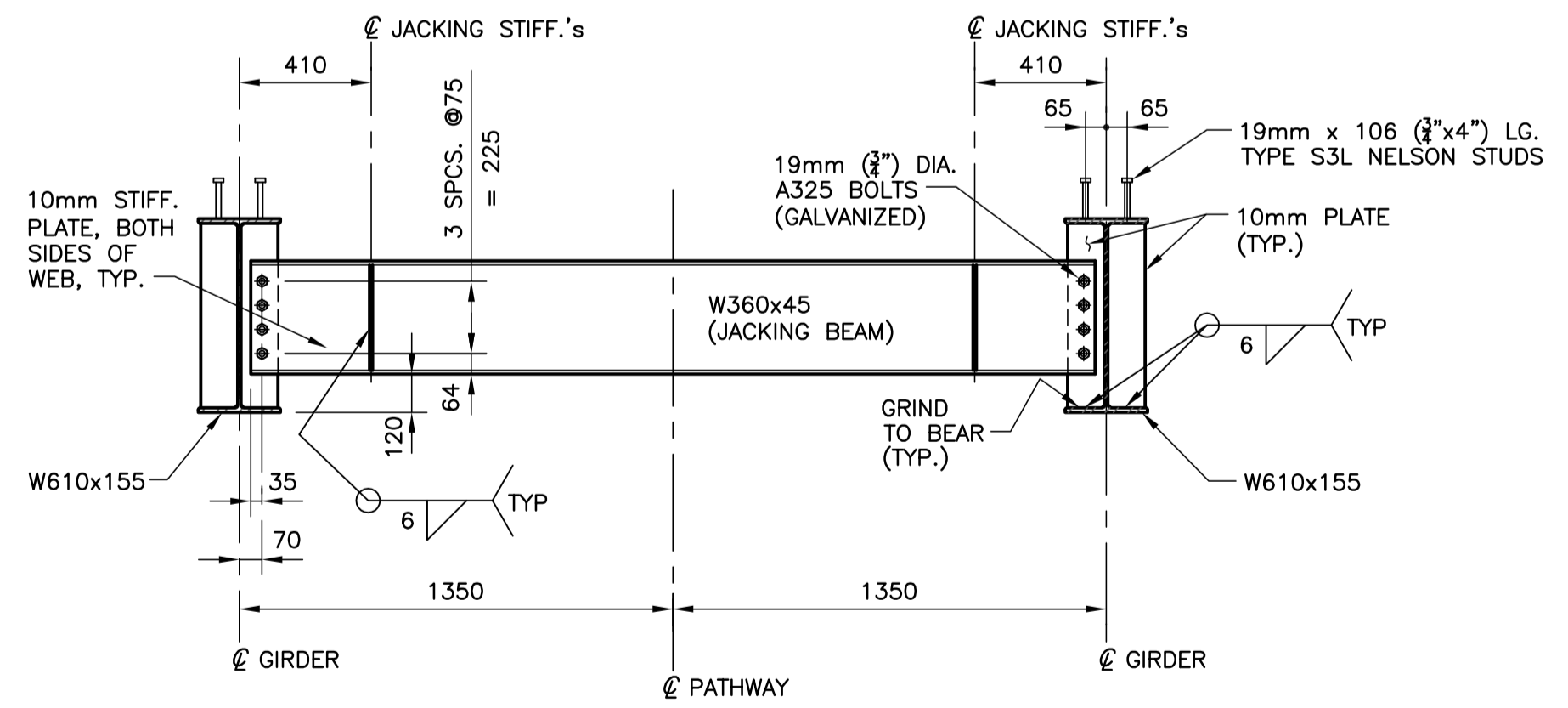
PLAN - GIRDERS & DIAPHRAGMS
SCALE: 1:50



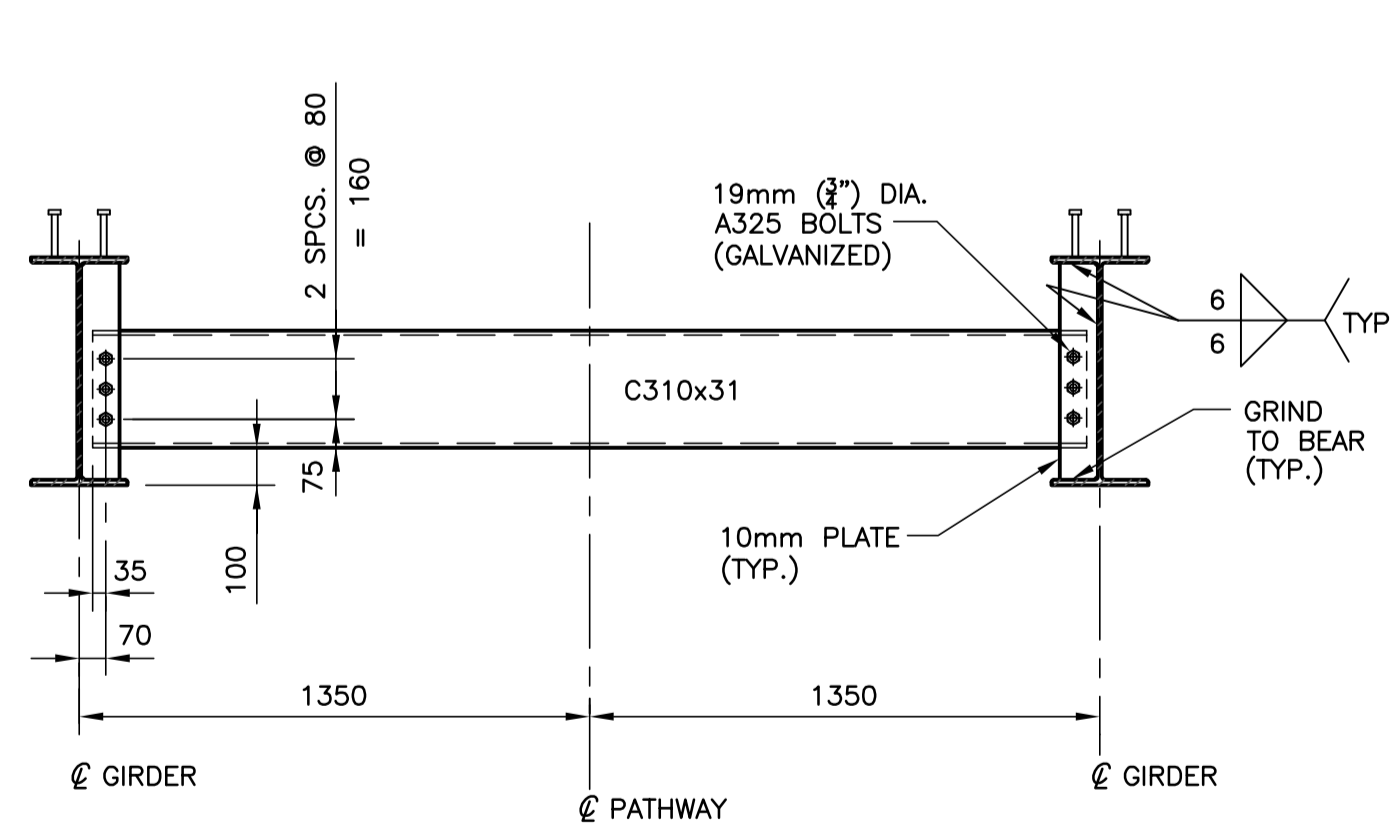
SECTION A-A
SCALE: 1:50



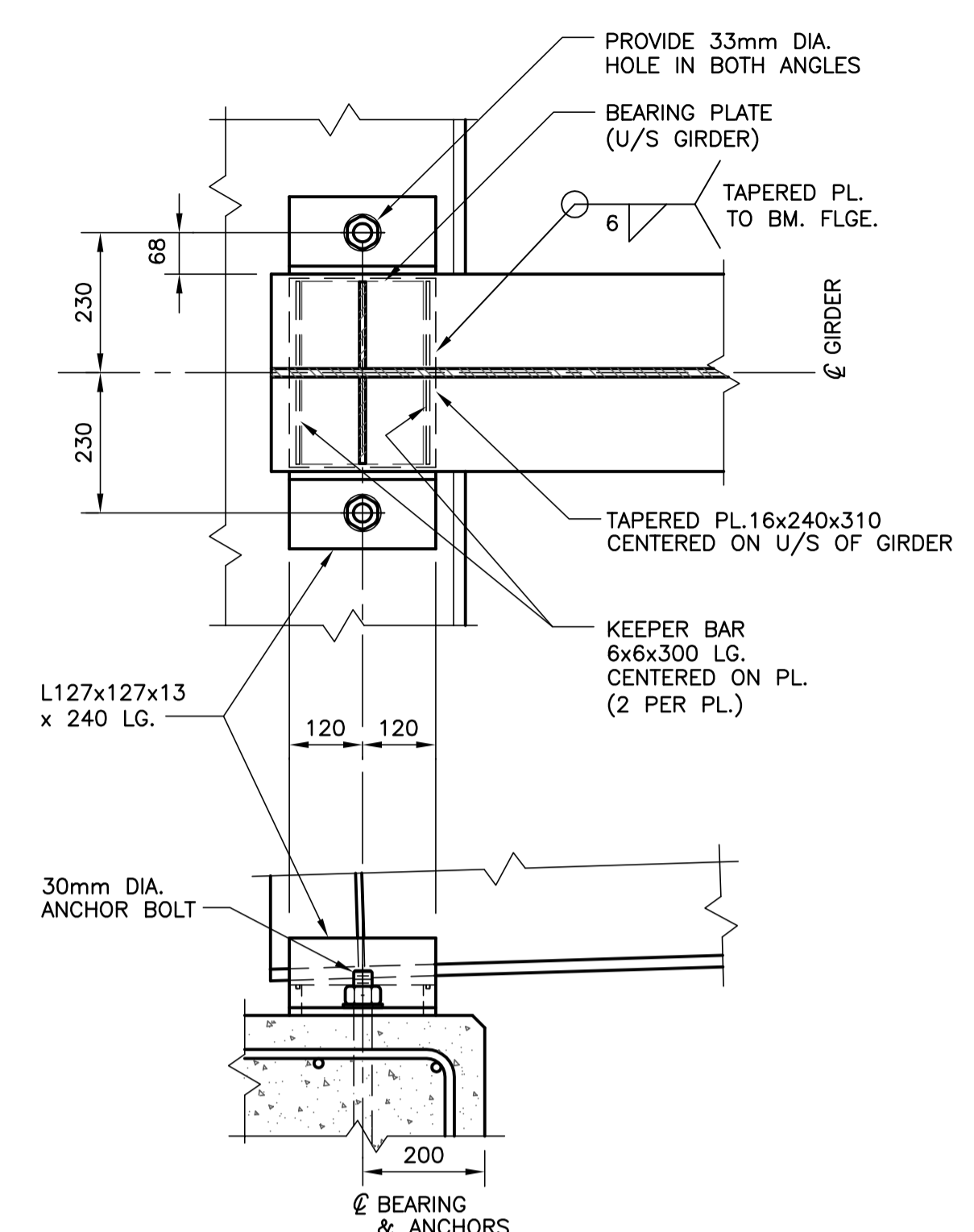
GIRDER STUD SPACING
SCALE: 1:50



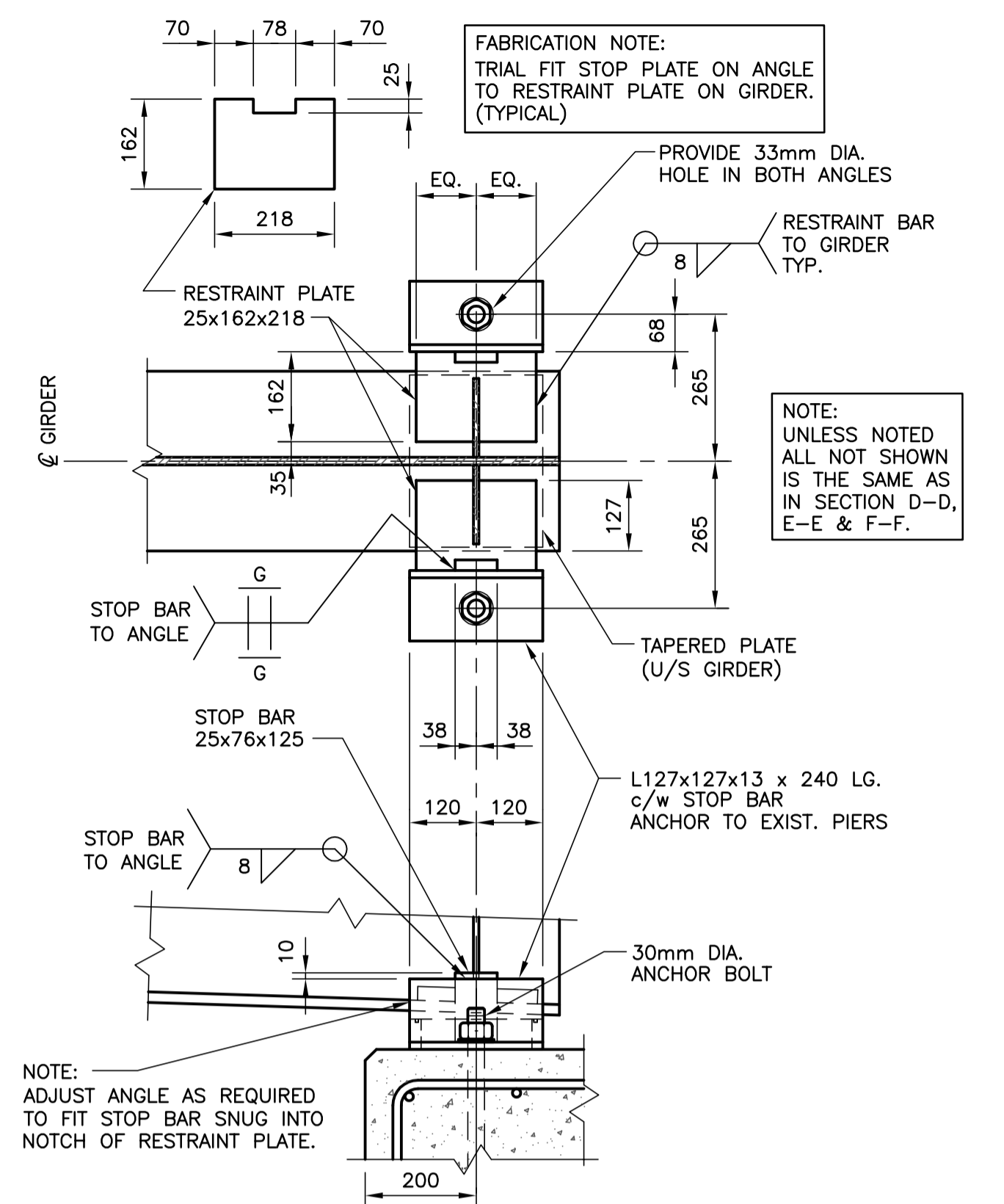
SECTION B-B
SCALE: 1:20



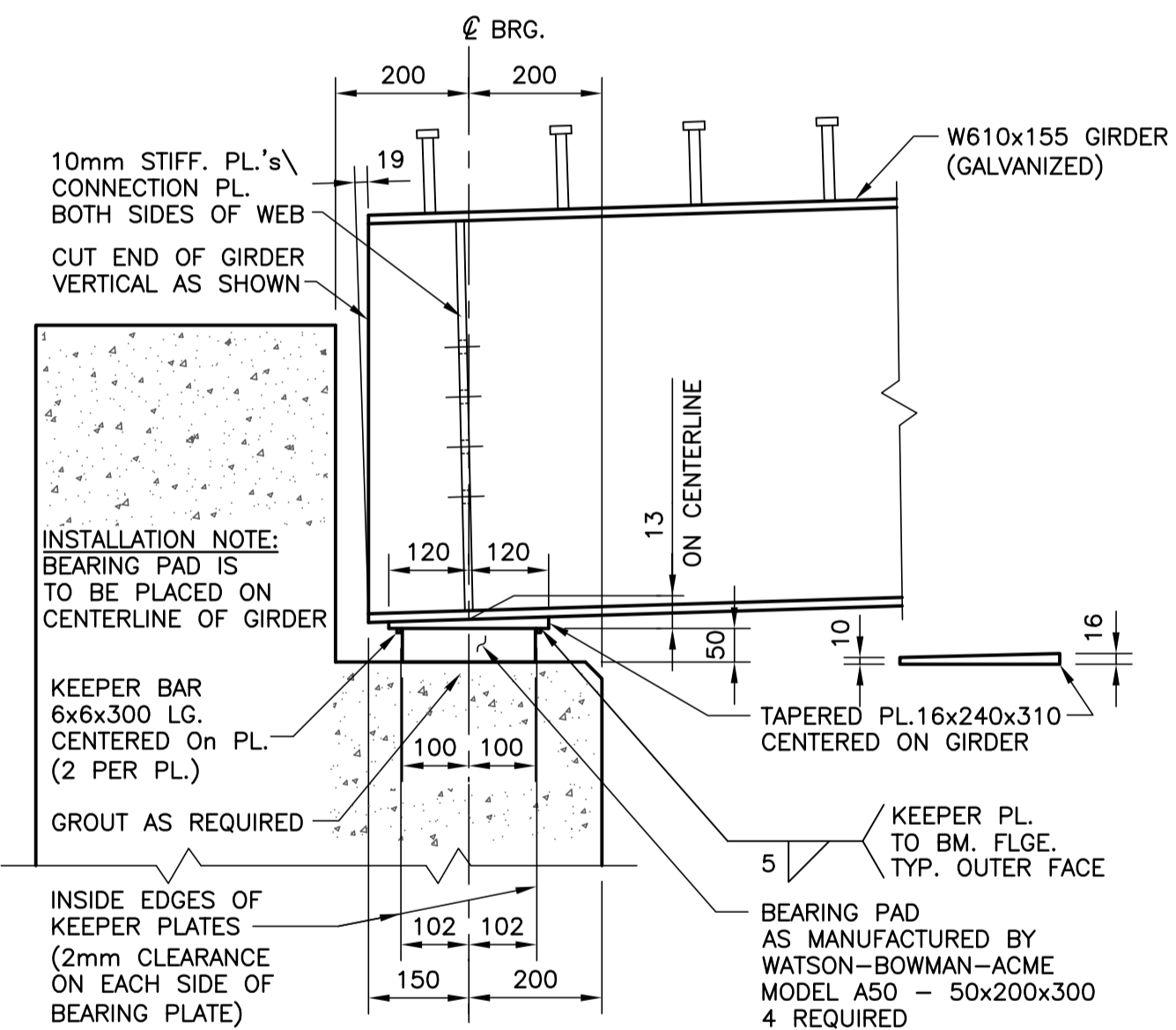
SECTION C-C
SCALE: 1:20



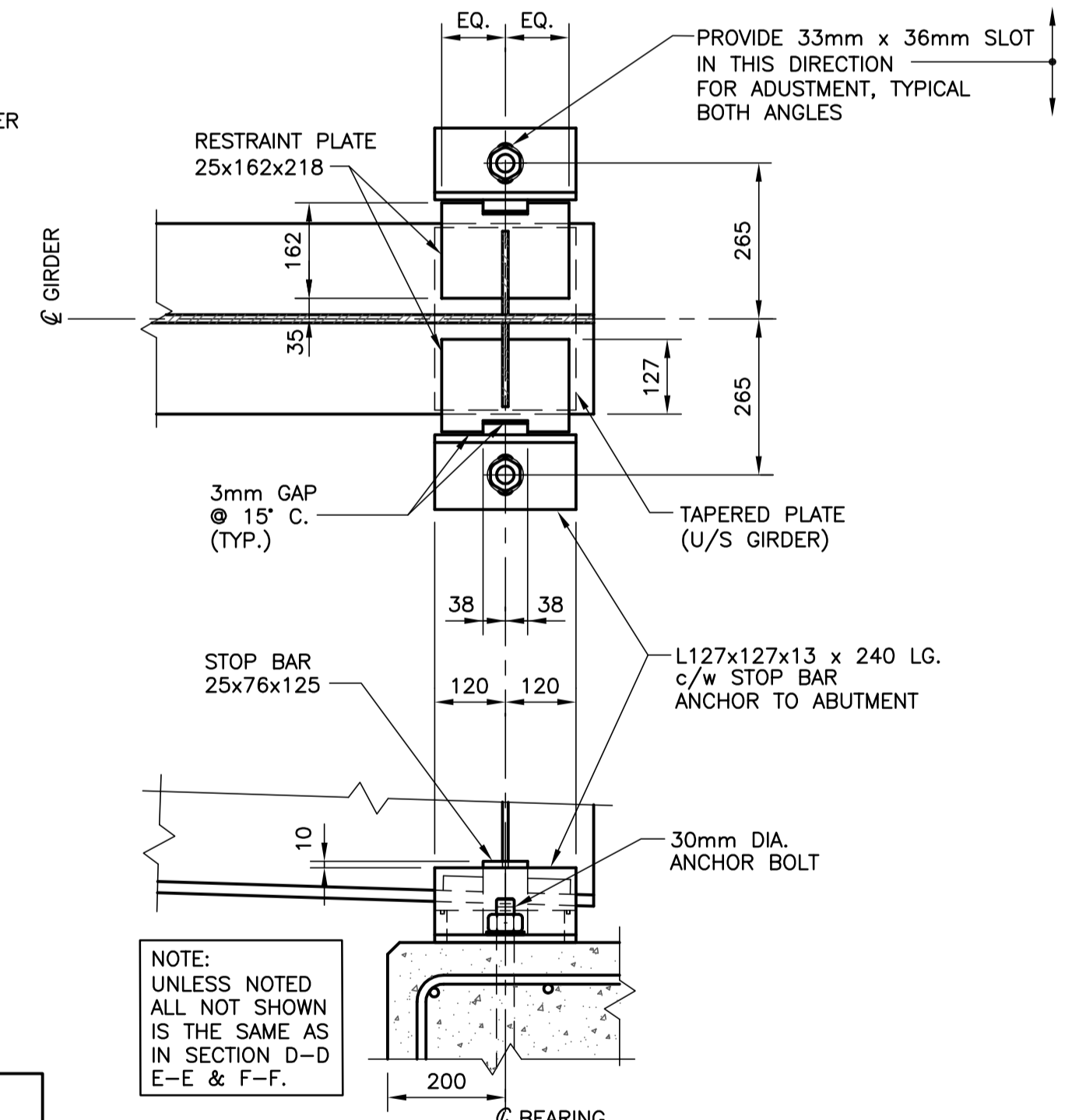
SECTION D-D - LATERAL RESTRAINT (EXPANSION)
SCALE: 1:10



SECTION F-F - LATERAL RESTRAINT (FIXED)
SCALE: 1:10

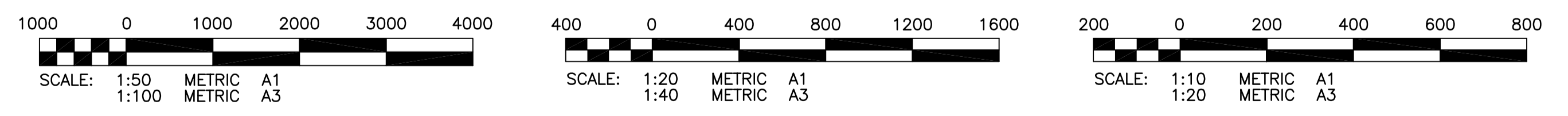


SECTION E-E - BEARING PAD
SCALE: 1:10



SECTION G-G - LATERAL RESTRAINT (FIXED WITH 3mm LATERAL TOLERANCE, BOTH WAYS)
SCALE: 1:10

METRIC
WHOLE NUMBERS INDICATE MILLIMETRES
DECIMALIZED NUMBERS INDICATE METRES



P:\Projects\2009\09-0107-21-31\Rev.1.dwg - Tab: 31 Plotted By: Glaeswen 05/13/2010 [Thu 9:42am] COWLEND

APEGM
Certificate of Authorization
KGS Group
No. 245 Date: 10/05/03

B.M.	XX-XXX			
ELEV.	XXX.XXX			
DESIGNED BY	RJL	CHECKED BY		
DRAWN BY	JF	APPROVED BY		
SCALE:	AS NOTED	RELEASED FOR CONSTRUCTION:		
NO. REVISIONS	DATE	BY	DATE	
1	10/05/13			
0	10/05/03	RJL		
			10/03/25	

KGS GROUP
CONSULTING ENGINEERS
SCATLIFF + MILLER + MURRAY INC.
151-248-0204
151-248-0243
151-248-0243

ENGINEER'S SEAL
R.J. LONG
REGISTERED PROFESSIONAL ENGINEER
CONSULTANT DRAWING NO.
295-2010 B238-10-05

THE CITY OF WINNIPEG
PUBLIC WORKS DEPARTMENT
Winnipeg
2010 ACTIVE TRANSPORTATION /
INFRASTRUCTURE STIMULUS PROGRAM
TRURO CREEK BRIDGE
GIRDERS AND DIAPHRAGMS
SHEET **31** OF **35**
CAD FILE DRAWING NUMBER
09-0107-21-31
CITY DRAWING NUMBER
B238-10-05