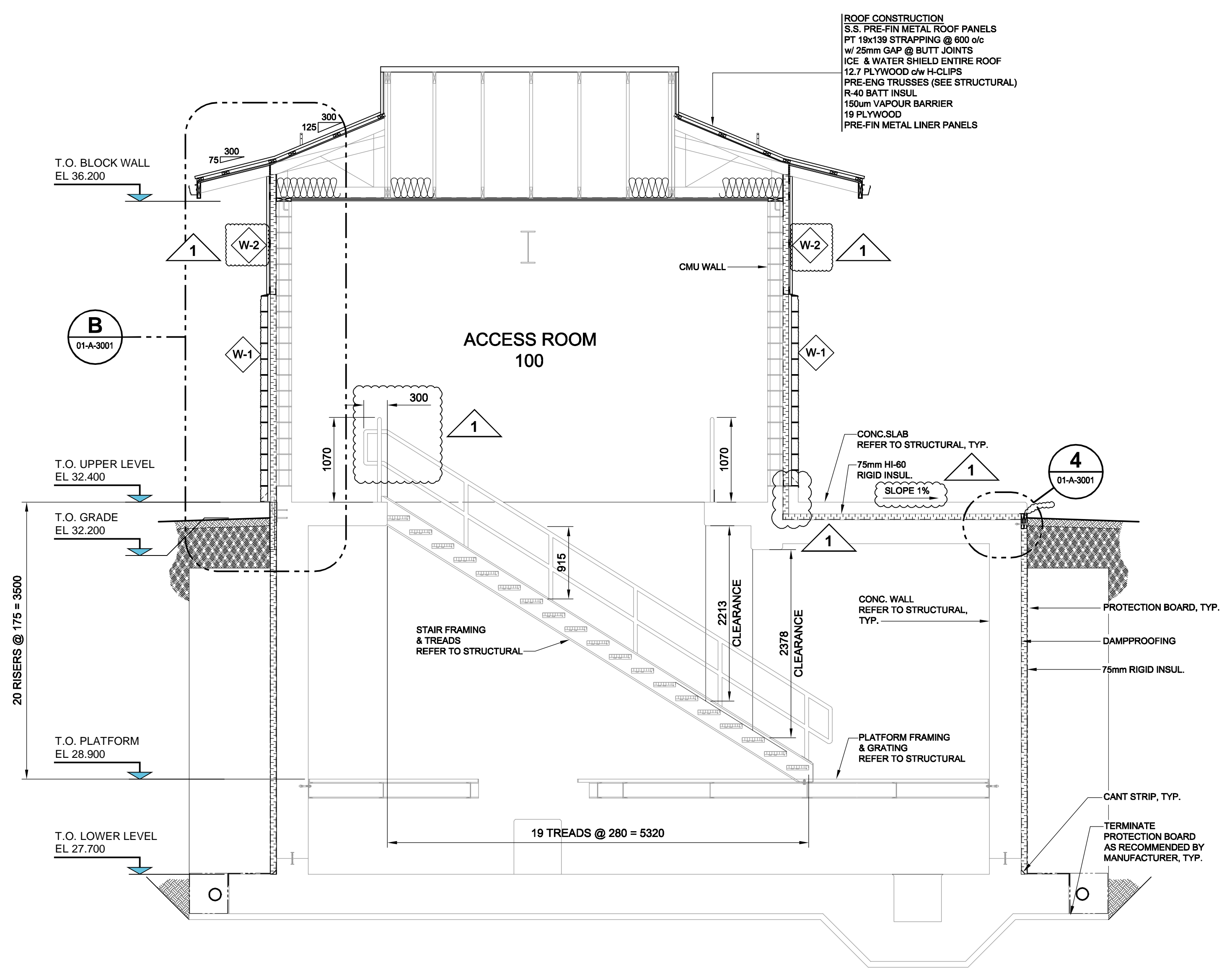


D SIZE 22" x 34" (559mm x 864mm)

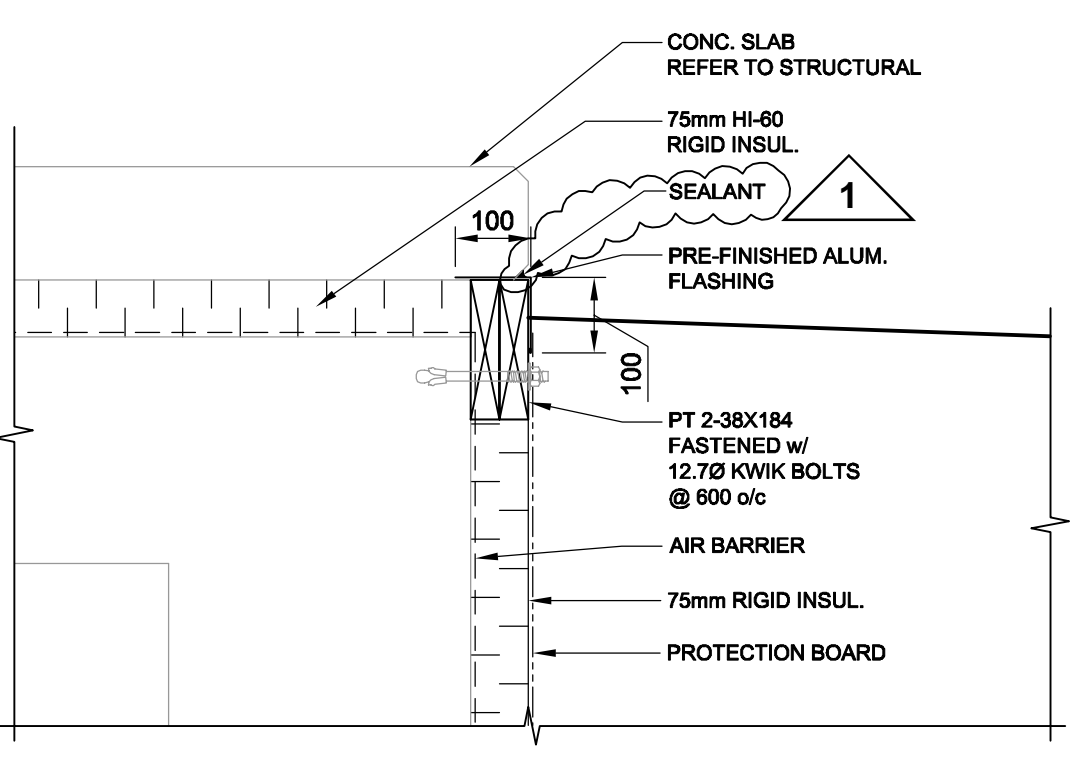
PLOT: 10/02/26 11:06:52 AM

AECOM FILE NAME: D265-250-00_01-A-3001_RX.dwg Saved By: rjppennick

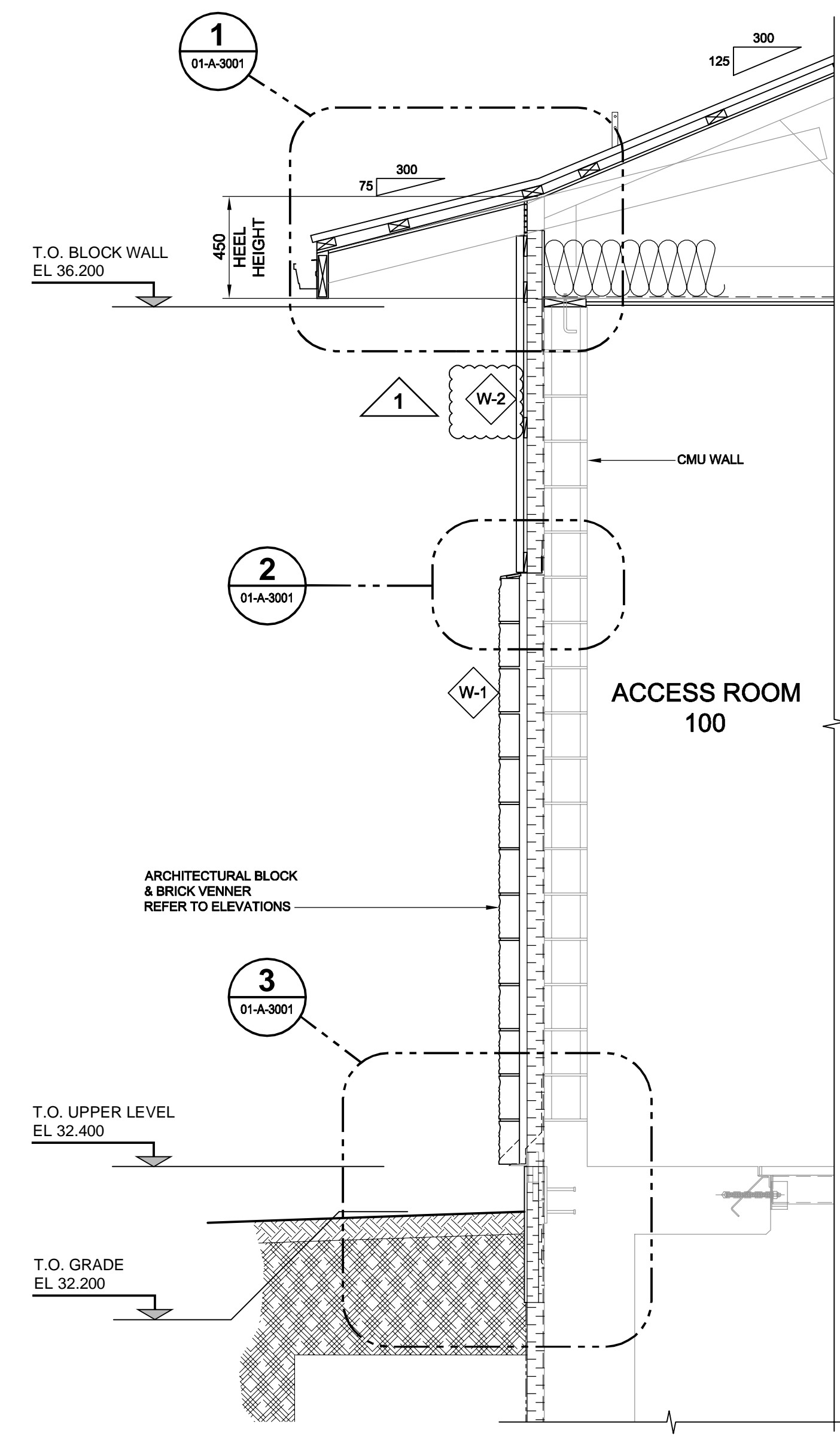
AECOM REVIEW DRFT CHK



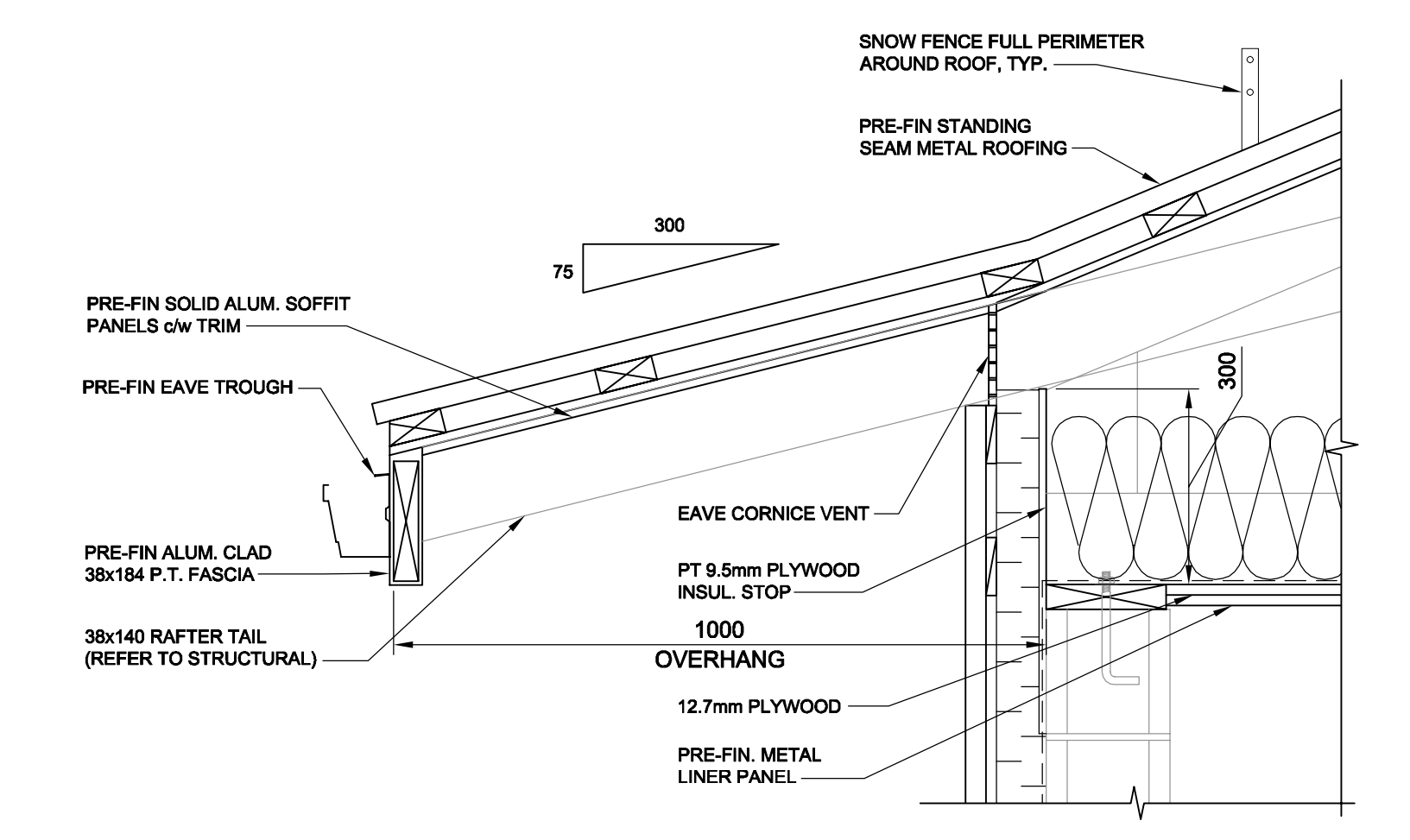
SECTION A
 01-A-1001
 SCALE 1:40



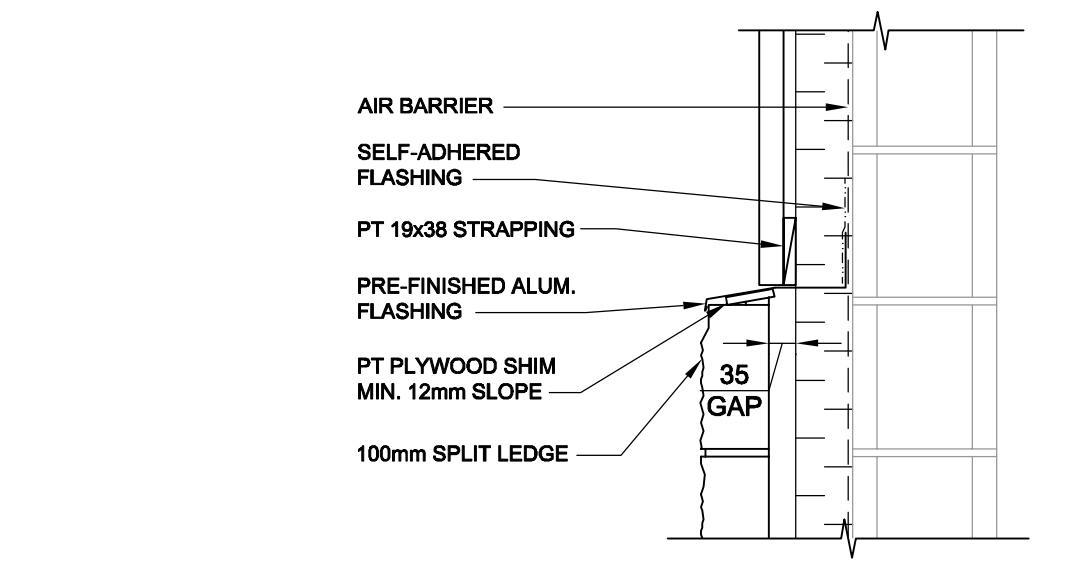
DETAIL 4
 01-A-3001
 SCALE 1:10



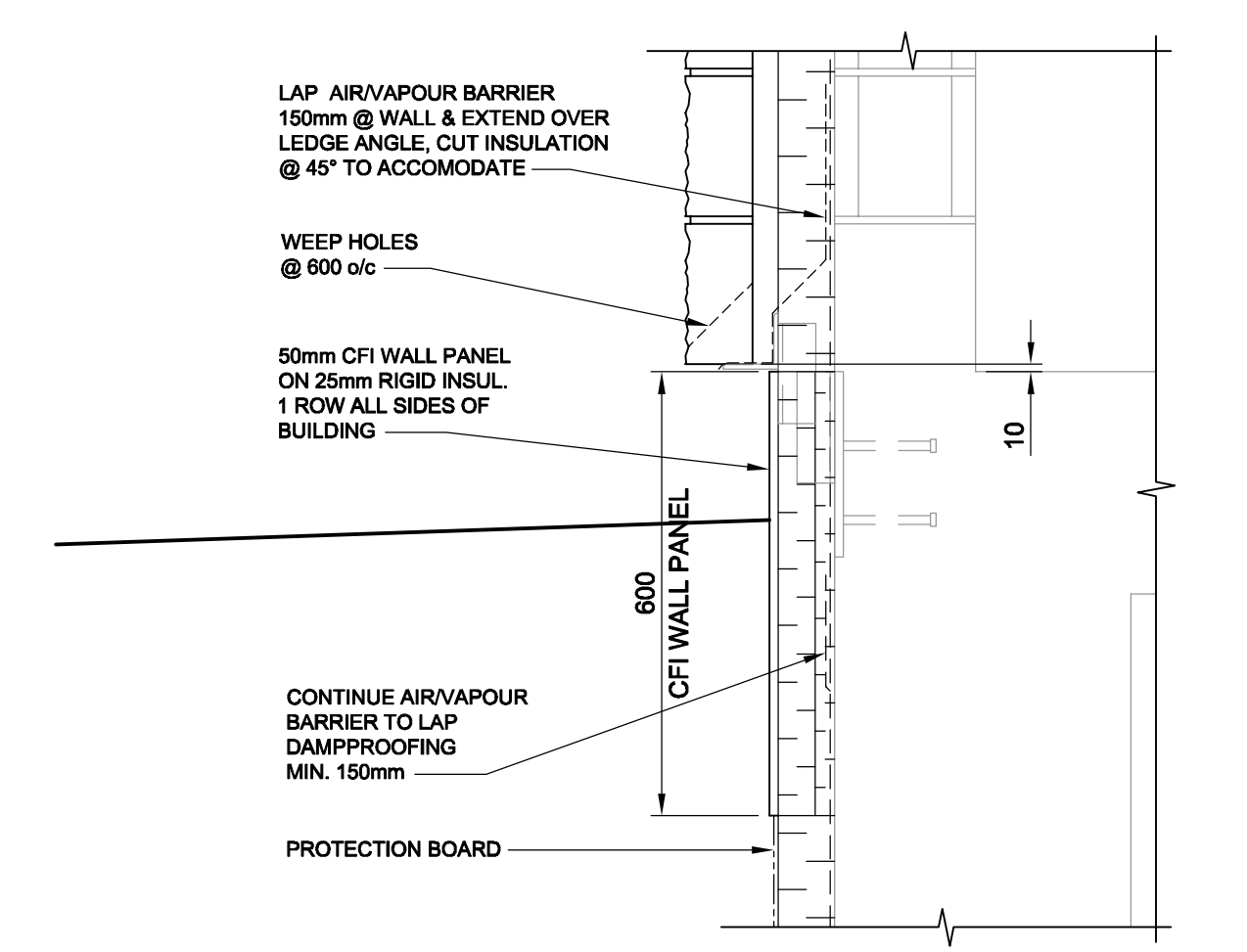
SECTION B
 01-A-3001
 SCALE 1:20



DETAIL 1
 01-A-3001
 SCALE 1:10



DETAIL 2
 01-A-3001
 SCALE 1:10



DETAIL 3
 01-A-3001
 SCALE 1:10

LOCATION APPROVED UNDERGROUND STRUCTURES

SUPR. U/G STRUCTURES DATE COMMITTEE

NOTE: LOCATION OF UNDERGROUND STRUCTURES AS SHOWN ARE BASED ON THE BEST INFORMATION AVAILABLE. BUT NO GUARANTEE IS GIVEN THAT ALL EXISTING UTILITIES ARE SHOWN OR THAT THE GIVEN LOCATIONS ARE EXACT. CONFIRMATION OF EXISTENCE AND EXACT LOCATION OF ALL SERVICES MUST BE OBTAINED FROM THE INDIVIDUAL UTILITIES BEFORE PROCEEDING WITH CONSTRUCTION.

NO.	REVISIONS	YYMMDD	BY
1	ISSUED FOR ADDENDUM 1	10/02/09	KK
0	ISSUED FOR CONSTRUCTION	10/02/08	KK

This drawing has been prepared for the use of AECOM's client and may not be used, reproduced or relied upon by third parties, except as agreed by AECOM and its client, as required by law or for use by governmental reviewing agencies. AECOM accepts no responsibility, and denies any liability whatsoever, to any party that modifies this drawing without AECOM's express written consent. Do not scale this document. All measurements must be obtained from stated dimensions.

AECOM

DESIGNED BY	KK/GGP	CHECKED BY	GGP
DRAWN BY	KK	APPROVED BY	Bryan Weber
HOR. SCALE	AS SHOWN	RELEASED FOR CONSTRUCTION	K.Z.
VERT. SCALE	-	DATE	Feb 9/10
DATE	10/02/09		

PROFESSIONAL'S SEAL

Revision '0'
 Issued for Construction
 WAS SEALED BY
 NEIL COOPER
 AND DATED
 Feb 10/10

CONSULTANT DRAWING NO.
 D265-250-00_01-A-3001_RX.dwg

BID OPPORTUNITY NO. 16-2010

THE CITY OF WINNIPEG
WATER AND WASTE DEPARTMENT

BRANCH I AQUEDUCT VALVE CHAMBER AT McPHILLIPS STREET PUMPING STATION

ARCHITECTURAL BUILDING SECTION, STAIRS, & WALL SECTION

SHEET 11 OF 28
 CITY DRAWING NUMBER
D-11921 REV 1