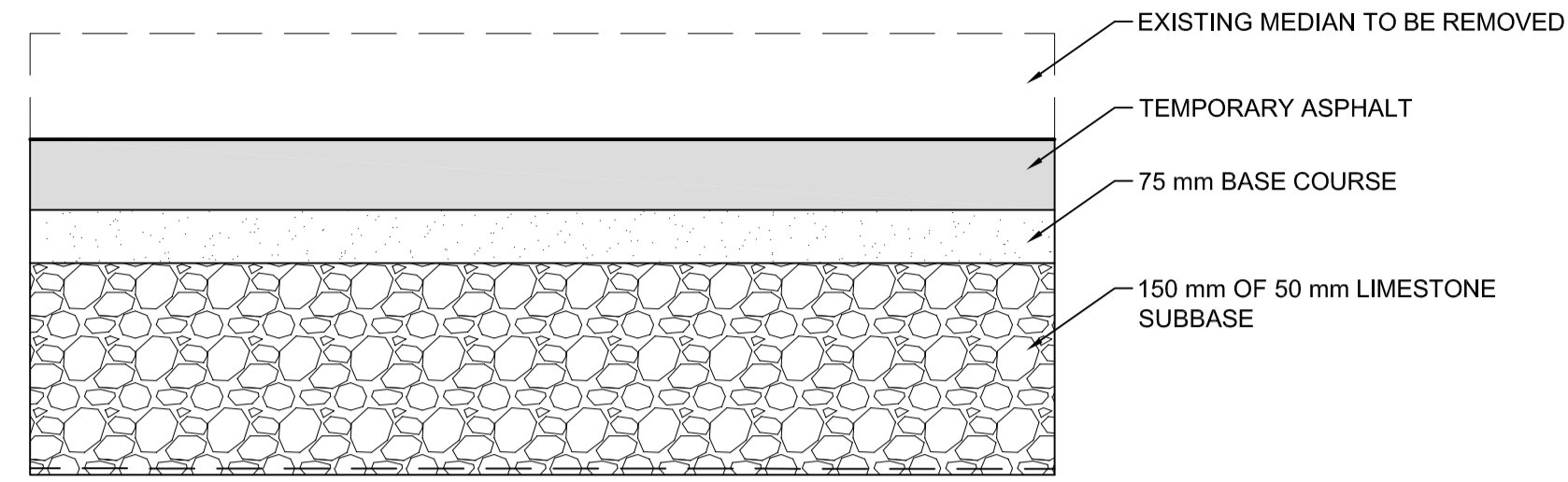
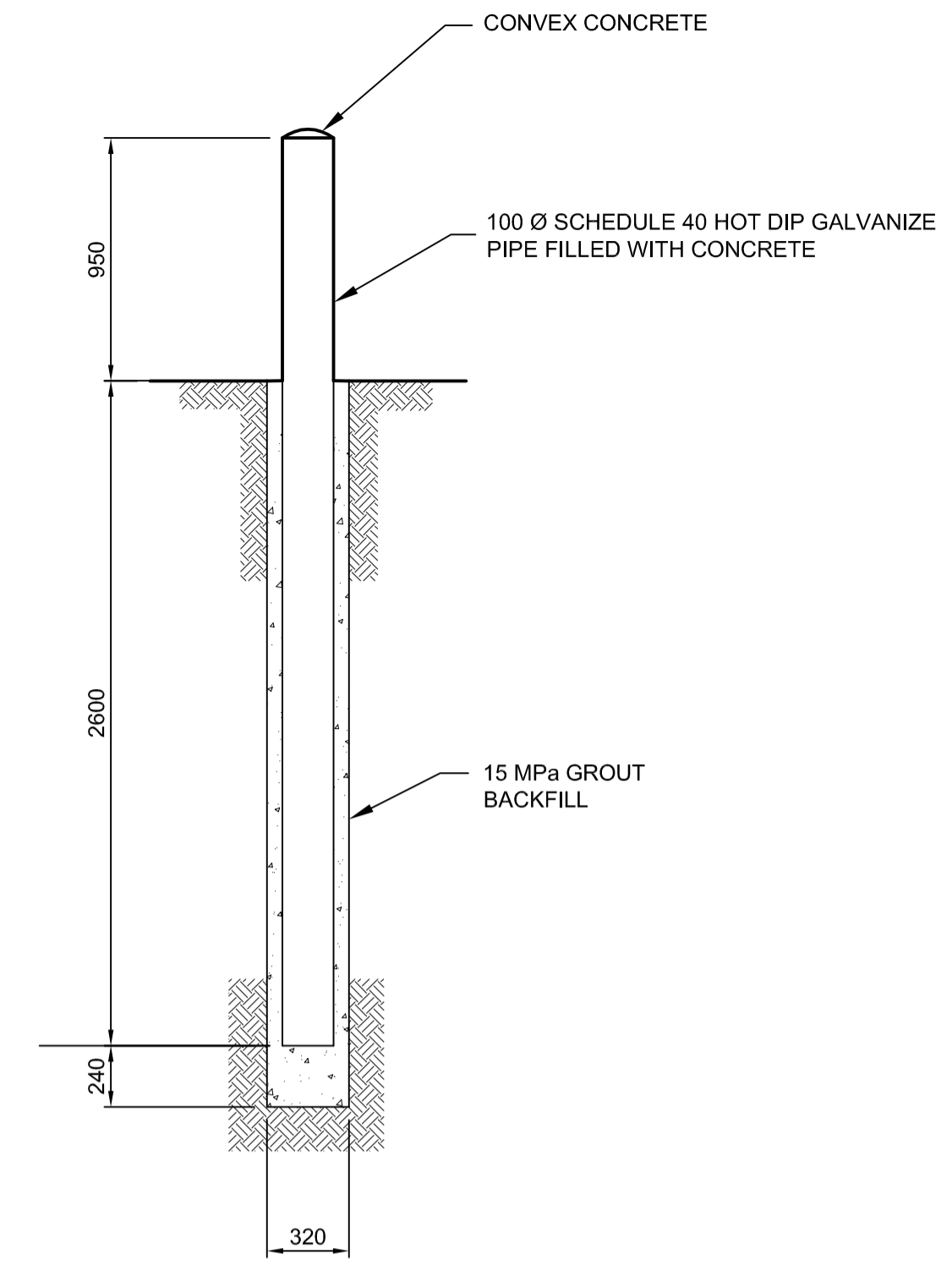


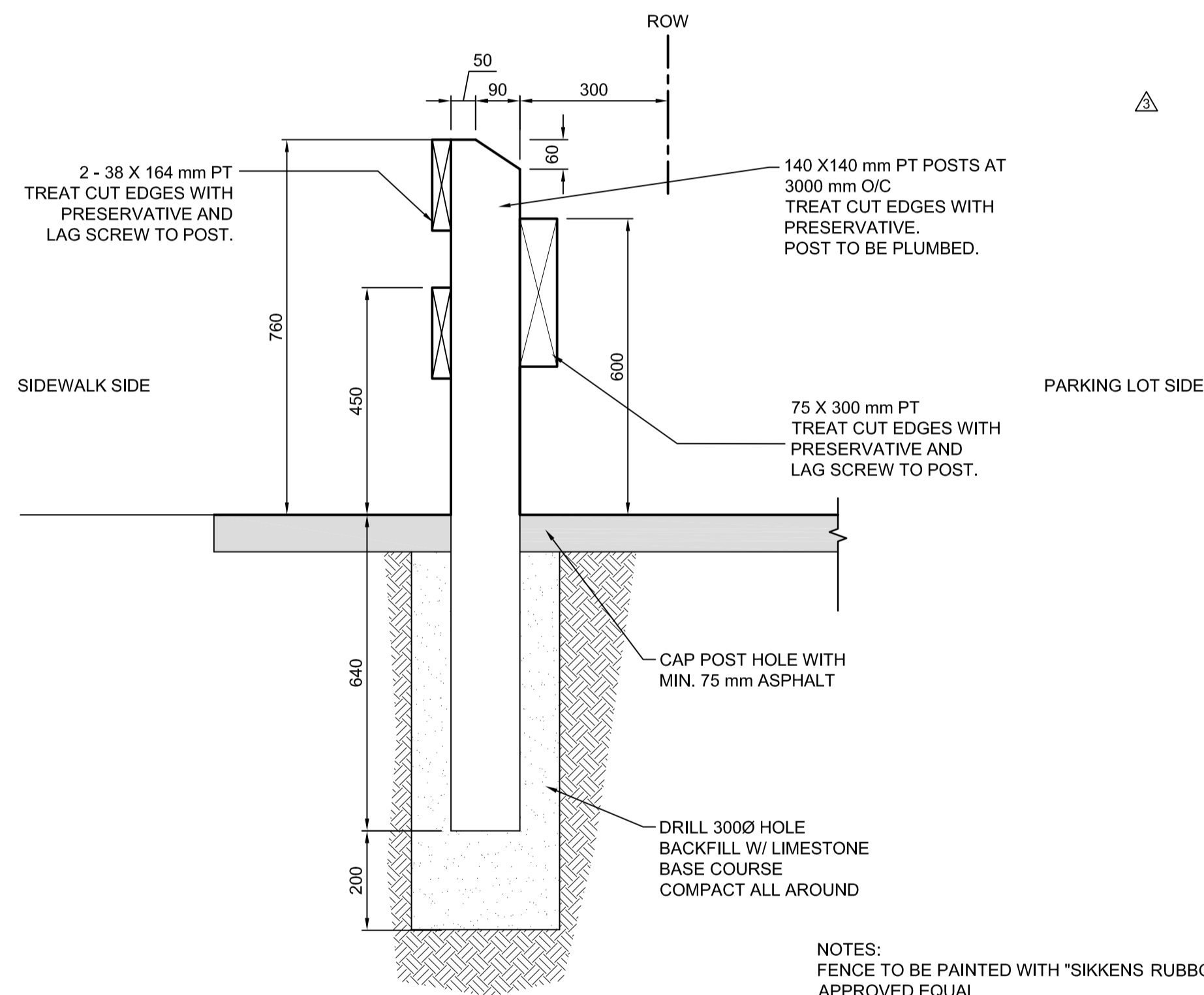
DETAIL 1
SCALE 1:10
21,24,31 47



DETAIL 2
SCALE 1:10
12 47

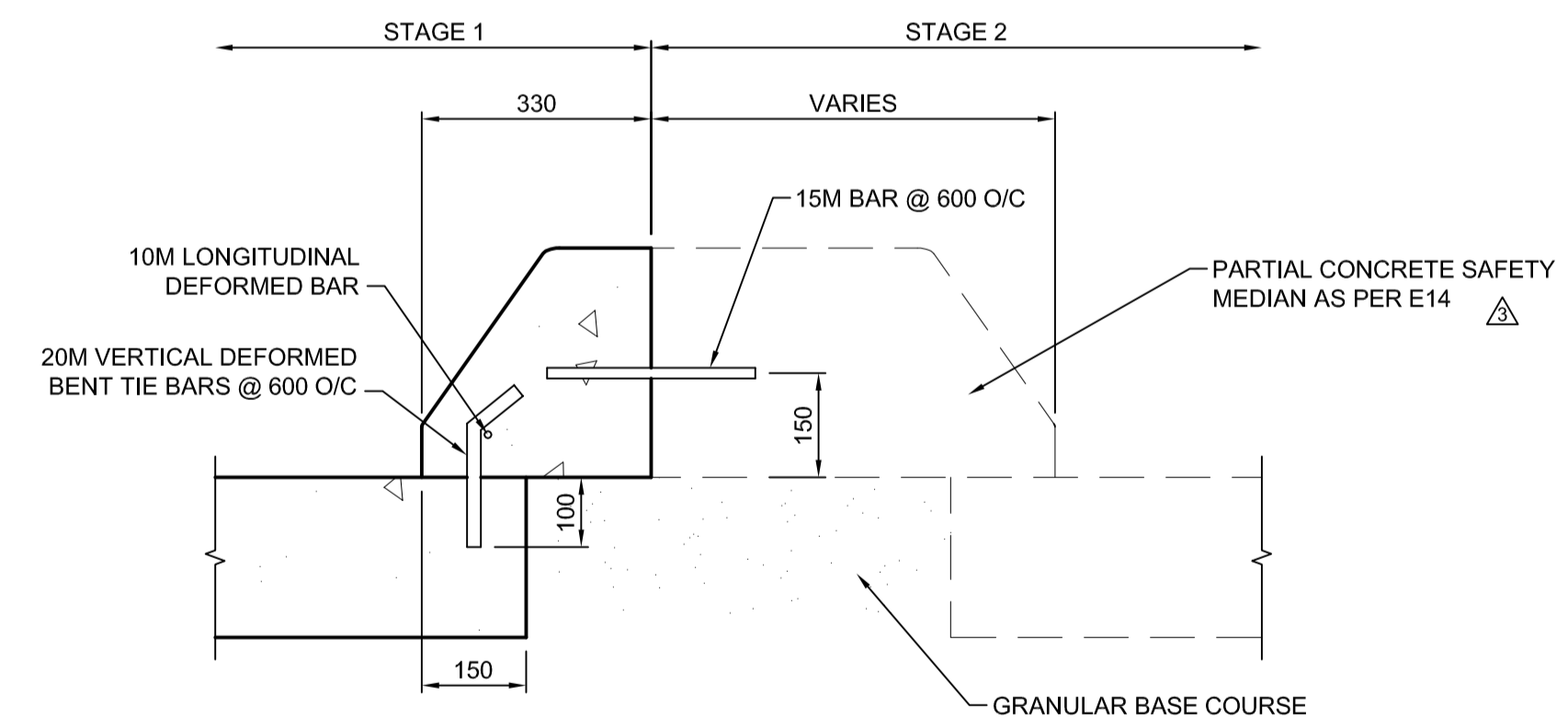


DETAIL 3
SCALE 1:25
31 47



DETAIL 4
SCALE 1:10
21,24 47

NOTES:
FENCE TO BE PAINTED WITH "SIKKENS RUBBOLE © SOLID DEK" OR APPROVED EQUAL COLOR TO MATCH EXISTING FENCE



DETAIL 5
SCALE 1:10
12,13 47

G:\CAD\088813\Contract\Contract 3-Donald Street\Current\Roadway\C1-501-Cross Sections.dwg



LOCATION UNDERGROUND	APPROVED STRUCTURES	B.M. 654265 (633392.694, 5525026.192) ELEV. 232.518
SUPV. U/G STRUCTURES COMMITTEE	DATE	
NOTE: LOCATION OF UNDERGROUND STRUCTURES AS SHOWN ARE BASED ON THE BEST INFORMATION AVAILABLE, BUT NO GUARANTEE IS GIVEN THAT ALL EXISTING UTILITIES ARE SHOWN OR THAT THE GIVEN LOCATIONS ARE EXACT. CONFIRMATION OF EXISTENCE AND EXACT LOCATION OF ALL SERVICES MUST BE OBTAINED FROM THE INDIVIDUAL UTILITIES BEFORE PROCEEDING WITH CONSTRUCTION.		

DESIGNED BY	DATE	BY
RTP		
DRAWN BY		
TJH		
CHECKED BY		
ORIGINAL SIGNED BY TARAN J. PETERS		
APPROVED BY		
ORIGINAL SIGNED BY DAVE P. KRAHN		
HOR. SCALE		
AS NOTED		
VERTICAL		
DATE		
04/29/09		
NO. REVISIONS	DATE	BY
1	05/15/09	TJP
2	04/29/09	TJP
1	02/13/09	TJP

DESIGNED BY	DATE	BY
RTP		
DRAWN BY <td></td> <td></td>		
TJH		
CHECKED BY <td></td> <td></td>		
ORIGINAL SIGNED BY TARAN J. PETERS		
APPROVED BY <td></td> <td></td>		
ORIGINAL SIGNED BY DAVE P. KRAHN		
HOR. SCALE <td></td> <td></td>		
AS NOTED		
VERTICAL <td></td> <td></td>		
DATE <td></td> <td></td>		
04/29/09		



THE CITY OF WINNIPEG TRANSIT DEPARTMENT	
SOUTHWEST RAPID TRANSIT CORRIDOR - STAGE 1 TRANSITWAY CONSTRUCTION, DONALD/HARKNESS RECONSTRUCTION & ASSOCIATED WORKS	
MISC. DETAILS	
CITY DRAWING NUMBER P-3299-47	SHEET OF 47 OF 64
CONSULTANT DRAWING NUMBER C3-C3029-T	