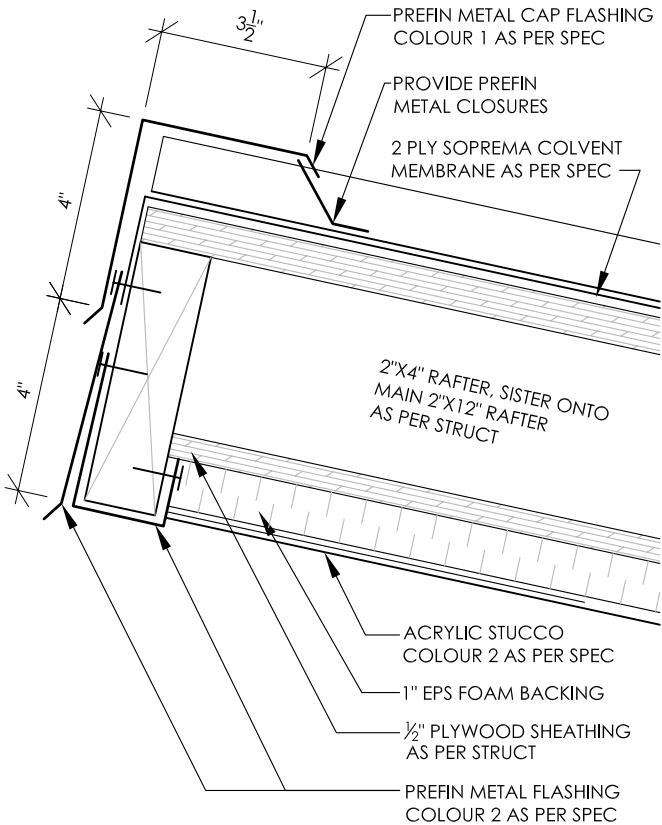
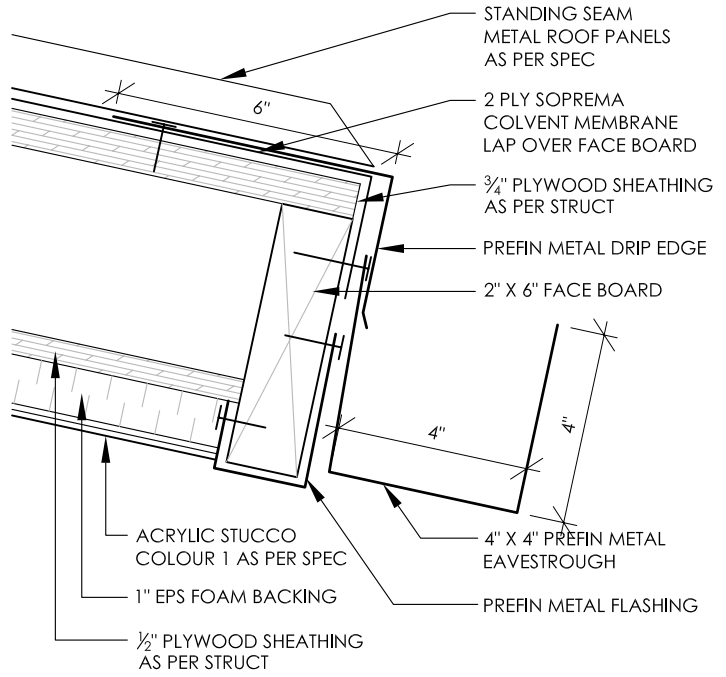


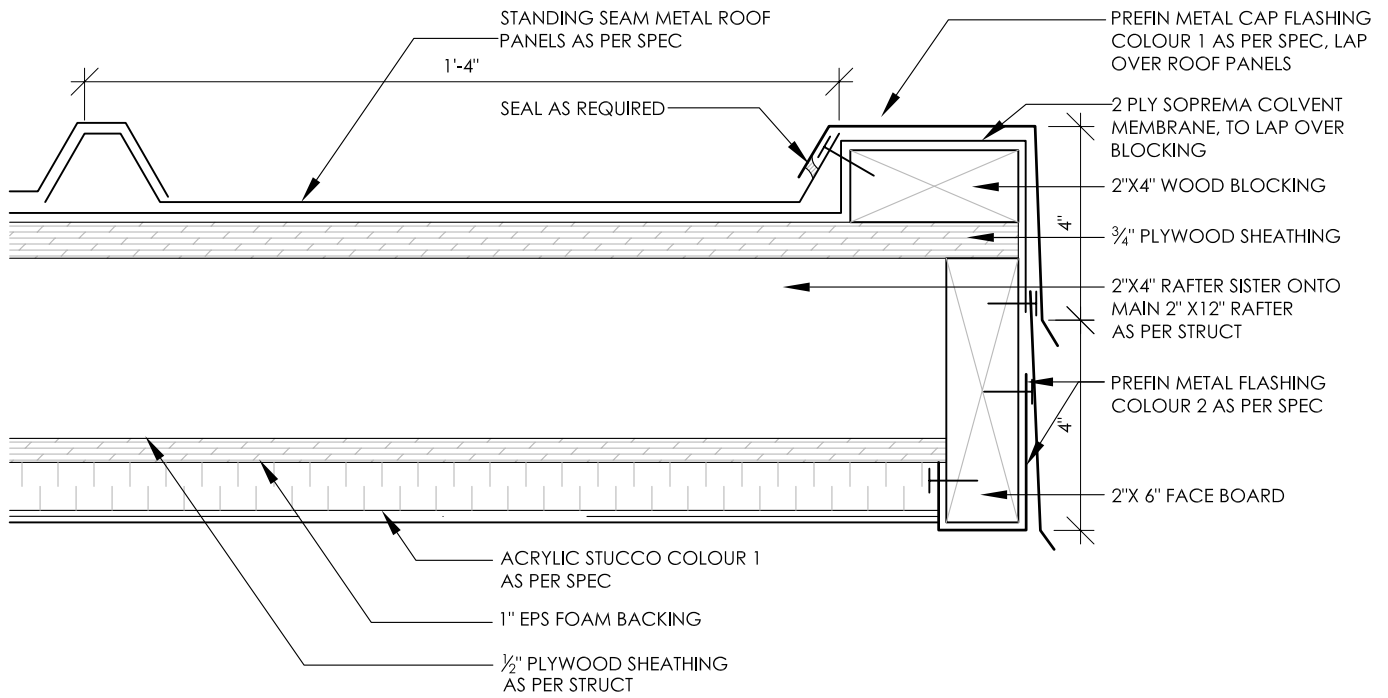
\\FILESERVER\Studio_Share\0002_Current_Projects\0727_Assiniboine Park Zoo Pavilion\6_Contract_Administration\6.1_Contract_Documents\6.1.4_Addenda\addendum_1_drawings\0727 - ADD 1.9 to ADD 1.10_Roof_Details.dwg



1 ROOF DETAIL AT PEAK
3" = 1'-0"



2 ROOF DETAIL AT EAVESTROUGH
3" = 1'-0"



3 ROOF DETAIL AT RAKE
3" = 1'-0"

Project:
Assiniboine Park Zoo
Asiatic Lion Pavilion Winnipeg, MB

Drawing Title:
ROOF DETAILS

Project Number: 0727 Sheet No:
 Date: 10_MAR_09
 ADDENDUM **ADD 1.9**

678 MAIN STREET WINNIPEG, MB R3B 1E4
 204 488 3857 tel. 204 488 0216 fax. www.bridgmancollaborative.ca

bridgmancollaborative
 ARCHITECTURE

bridgmancollaborative

This drawing is property of the Architect and cannot be reproduced or used without the consent of the Architect. The contractor is responsible for checking and verifying all levels and dimensions and shall report all discrepancies to the Architect and obtain clarification prior to commencing work.