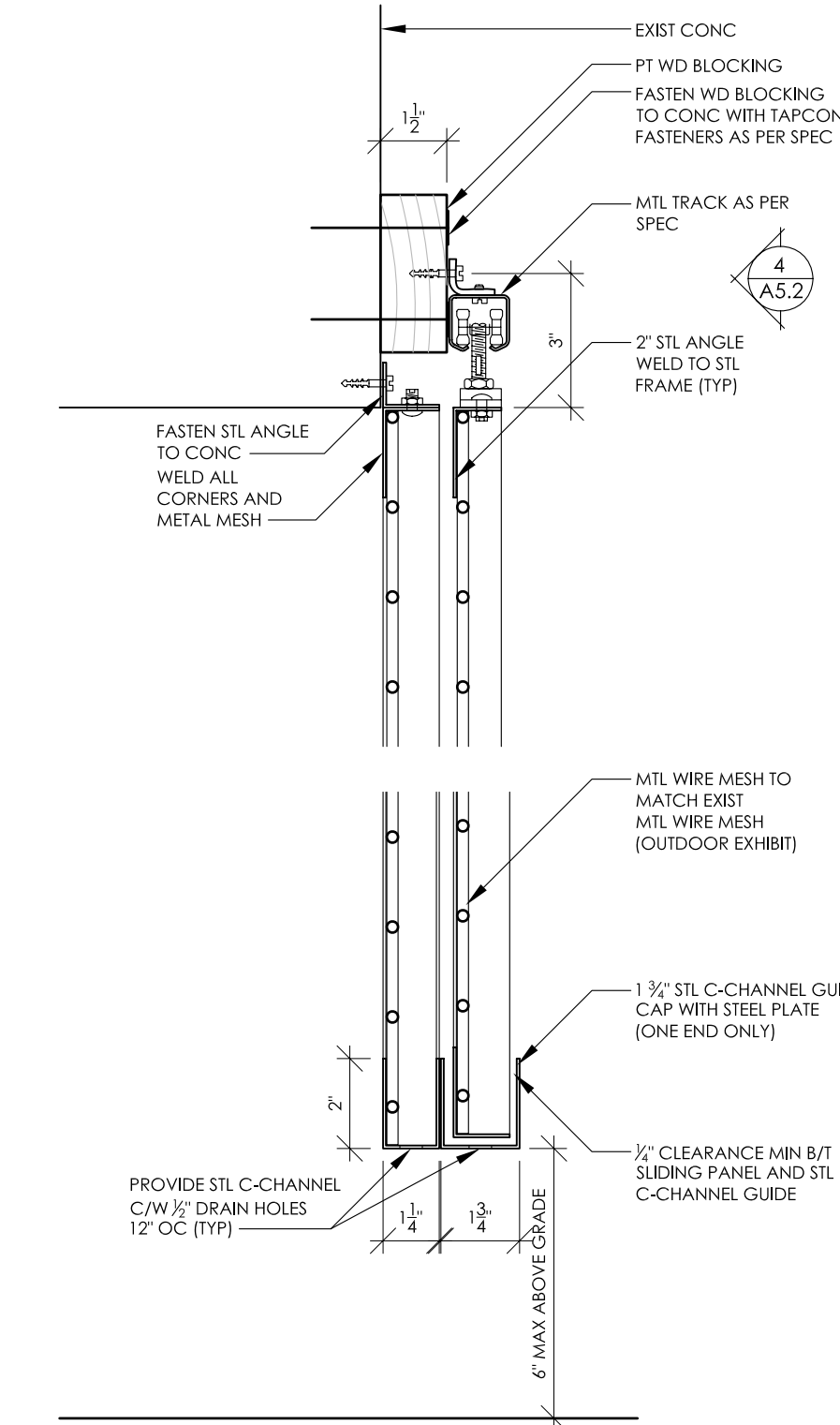
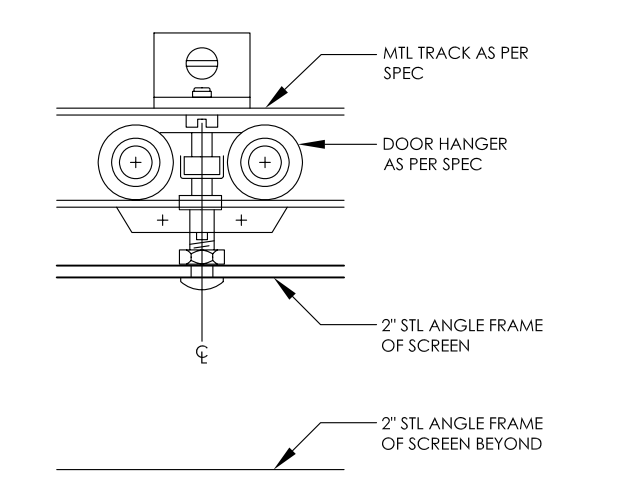


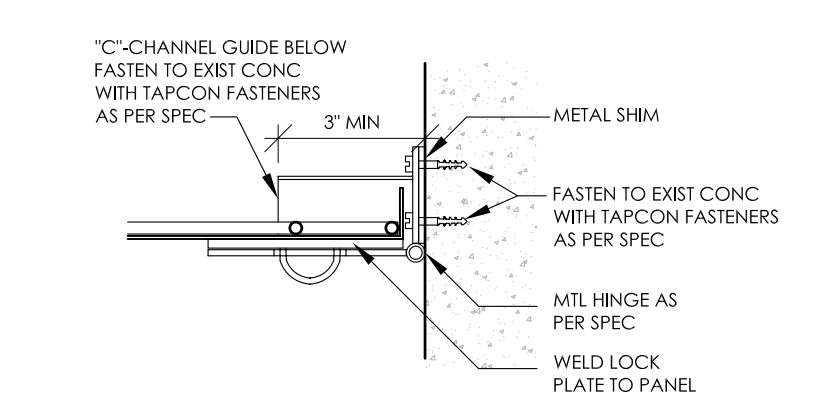
**1 NORTH ELEVATION**  
3/16" = 1'-0"



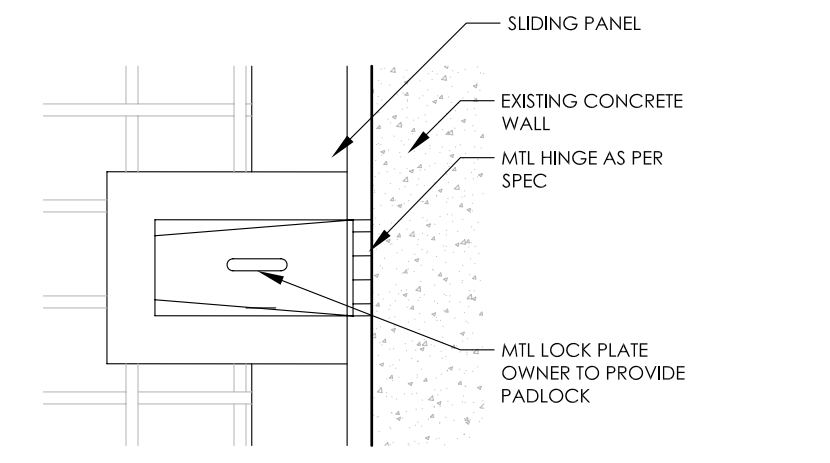
**3 SCREEN/SLIDING PANEL SECTION**  
3" = 1'-0"



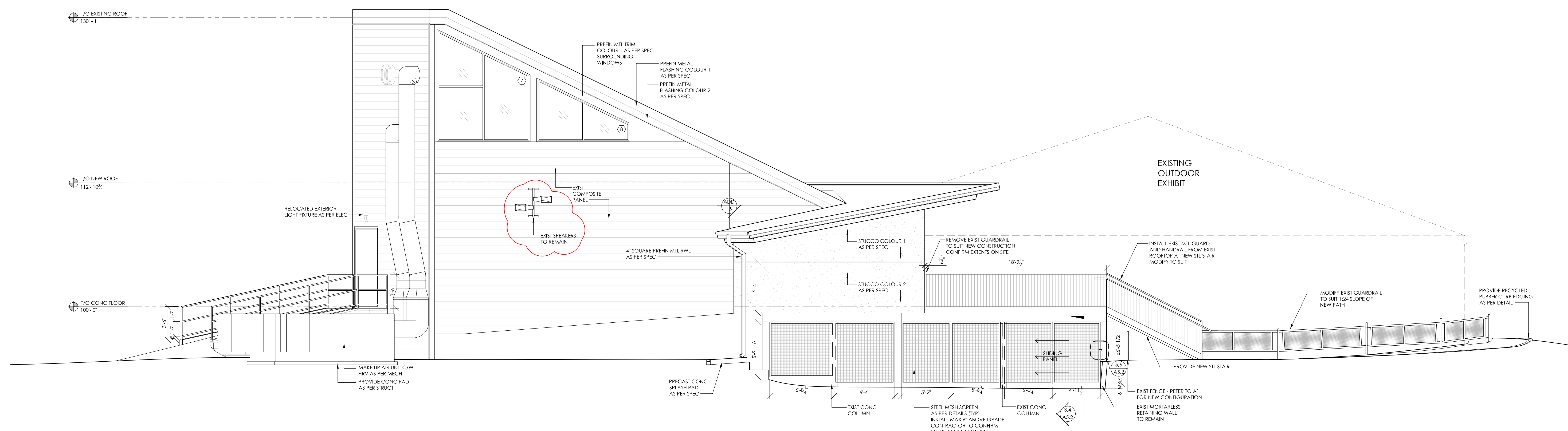
**4 ROLLER TRACK SECTION**  
6" = 1'-0"



**5 LOCKPLATE PLAN DETAIL**  
3" = 1'-0"



**6 LOCKPLATE ELEVATION**  
3" = 1'-0"



**2 WEST ELEVATION**  
3/16" = 1'-0"