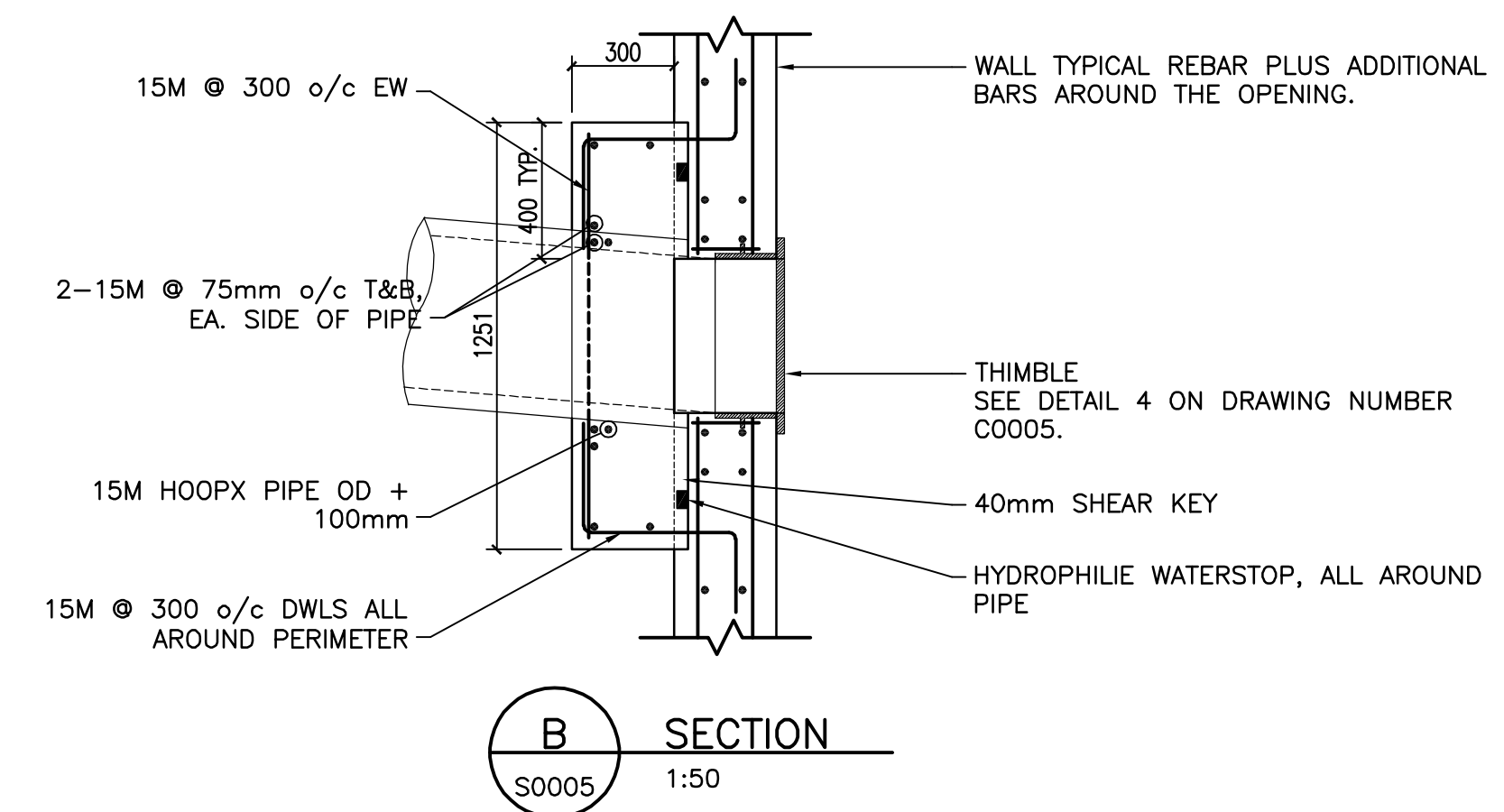
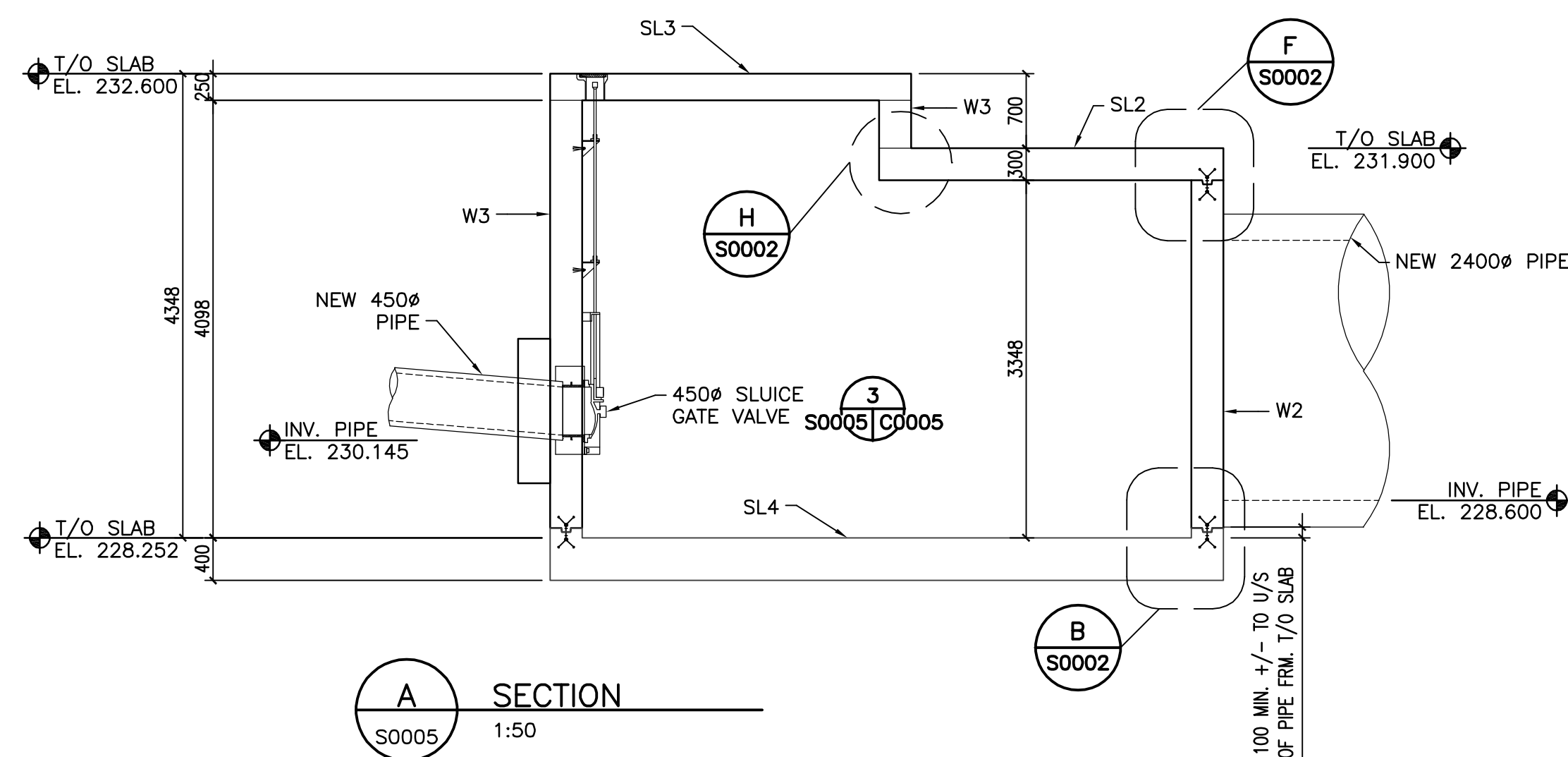


- DRAWING NOTES:**
- SEE CITY DRAWING NUMBER 1-0102A-S0001-001 FOR GENERAL NOTES.
 - SEE CITY DRAWING NUMBER 1-0102A-S0001-001 FOR WALL, SLAB AND BEAM SCHEDULE.
 - SEE CITY DRAWING NUMBER 1-0102A-S0002-001 FOR CONCRETE SECTIONS & TYPICAL DETAILS.



83R066 - N. side Froblisher Rd., 0.25km W. of St. Mary's Rd.,
Talk on top of 0.25m dia. x 1.2m iron pipe (near conc. gate chamber), 7.1m N. of N. side & 9.8m W. of W. side of conc. gate chamber 0.25km W. of St. Mary's Rd.

LOCATION APPROVED UNDERGROUND STRUCTURES

B.M. 81-007
ELEV. 230.438

Stantec Consulting Ltd.
905 Waverley Street, Winnipeg, Manitoba
Tel 204-489-5900 Fax 204-453-9012

ENGINEER'S SEAL

THE CITY OF WINNIPEG
WATER AND WASTE DEPARTMENT

APEGM
Certificate of Authorization
Stantec Consulting Ltd.
No. 1301 Expiry: April 30, 2010

SUPV. U/G STRUCTURES COMMITTEE DATE

NOTE:
LOCATION OF UNDERGROUND STRUCTURES AS SHOWN ARE BASED ON THE BEST INFORMATION AVAILABLE BUT NO GUARANTEE IS GIVEN THAT ALL EXISTING UTILITIES ARE SHOWN OR THAT THE GIVEN LOCATIONS ARE EXACT. CONFIRMATION OF EXISTENCE AND EXACT LOCATION OF ALL SERVICES MUST BE OBTAINED FROM THE INDIVIDUAL UTILITIES BEFORE PROCEEDING WITH CONSTRUCTION.

NO.	REVISIONS	DATE	BY
1	REPLACED KNIFE GATE WITH SLUICE GATE	09.11.29	
A	ISSUED FOR TENDER	09.10.13	

DESIGNED BY	M.H.	CHECKED BY	T.D.
DRAWN BY	M.F.	APPROVED BY	C.M.
HOR. SCALE:	AS NOTED	RELEASED FOR CONSTRUCTION:	
VERTICAL:		DATE	09.09.21

ORIGINAL SEALED BY
M. HOQUE
P. ENG.
09/10/13

SOUTH END WATER POLLUTION CONTROL CENTRE
INSTALLATION OF OUTFALL PIPE
EFFLUENT SAMPLING FACILITY AND ASSOCIATED WORKS
CHAMBER NO.3
PLAN & SECTION

BID OPPORTUNITY NO.	709-2009	CITY DRAWING NUMBER	1-0102A-S0005-001-01	SHEET	1	OF	1
---------------------	----------	---------------------	----------------------	-------	---	----	---

I:\1110865\544_Drawing\Sheet Files\03_Structure\0868_cmb_1103.dwg
 2009-10-28 08:30:29 By: bmoatsh

METRIC
WHOLE NUMBERS INDICATE MILLIMETRES
DECIMALIZED NUMBERS INDICATE METRES