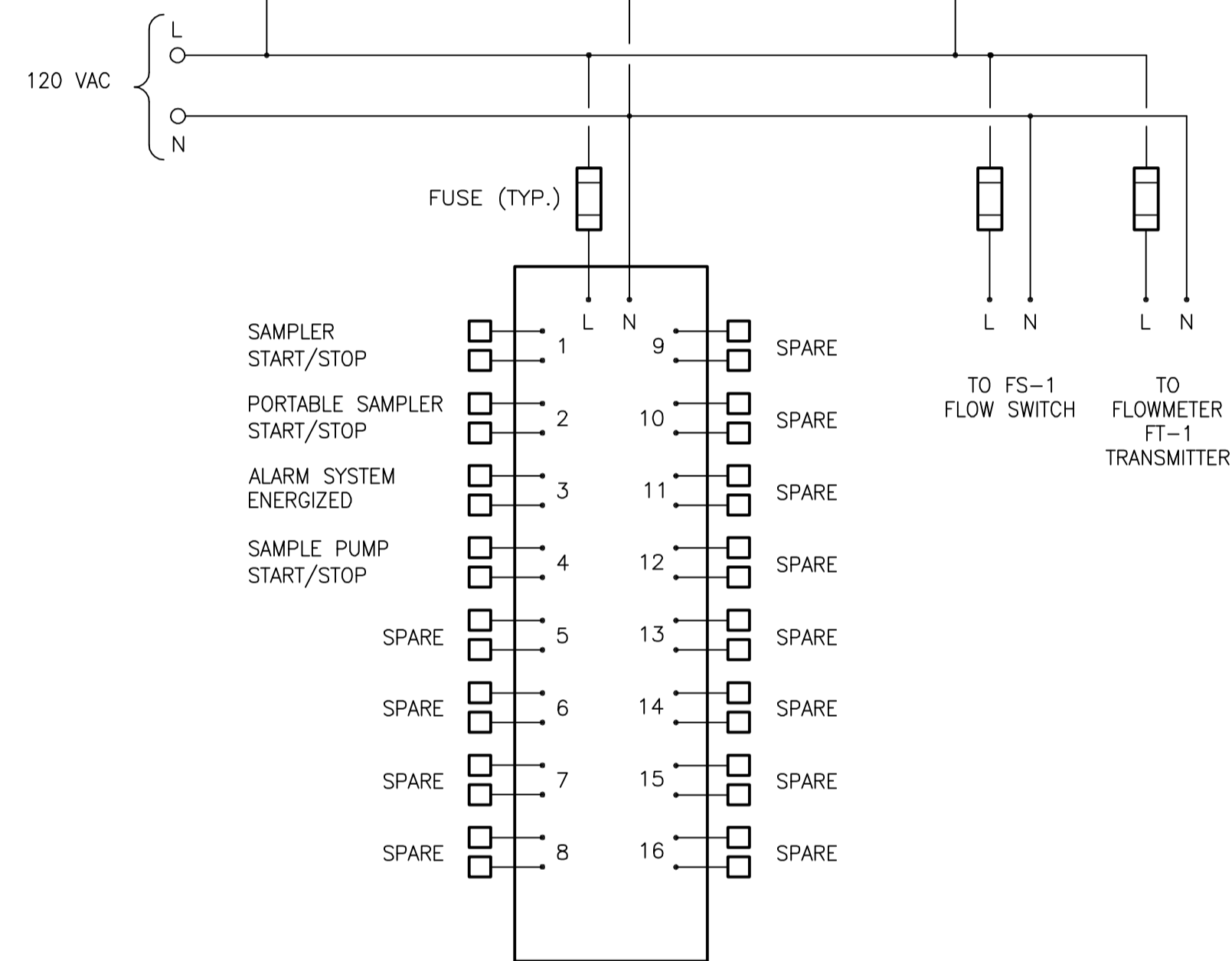
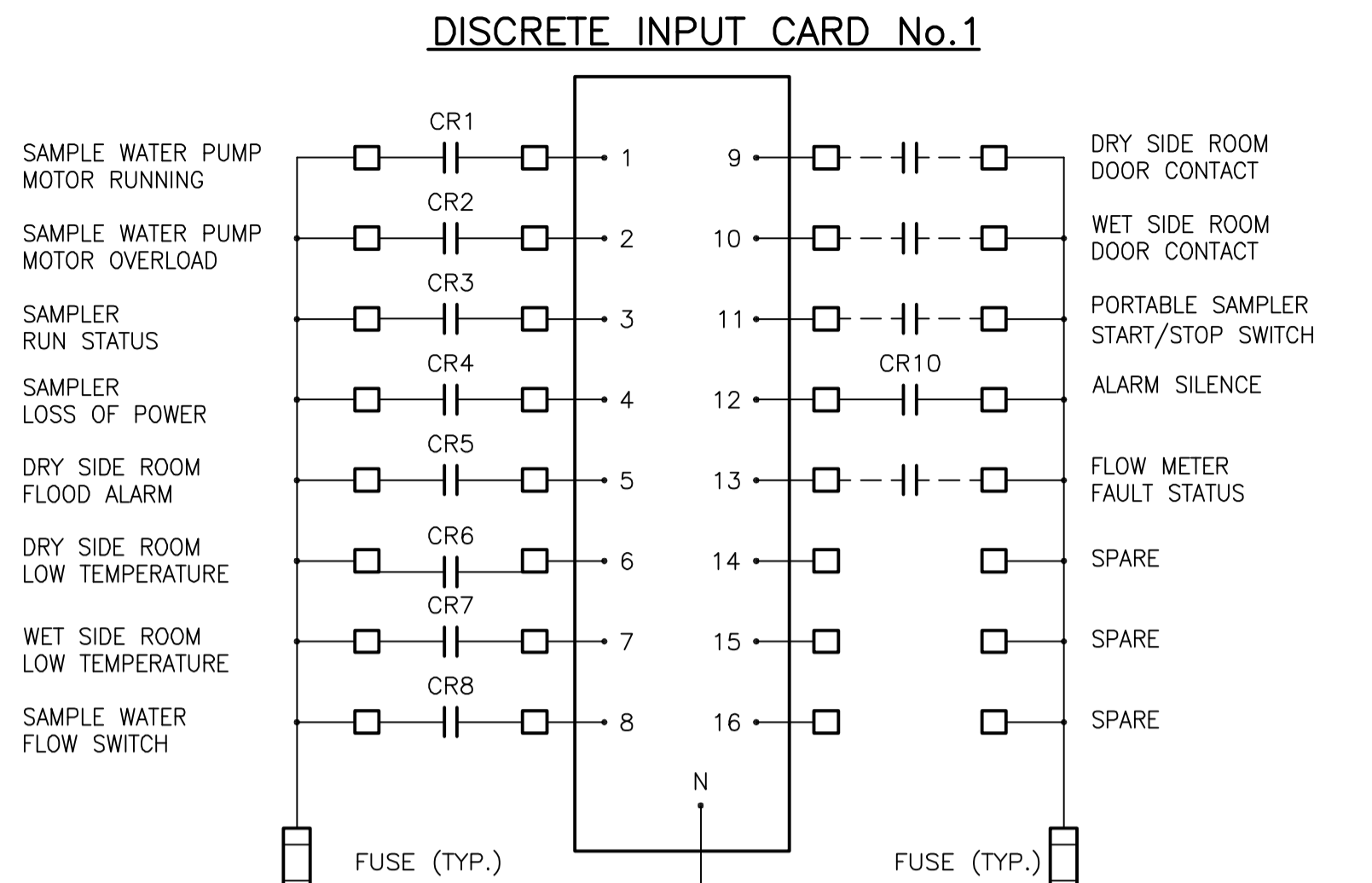
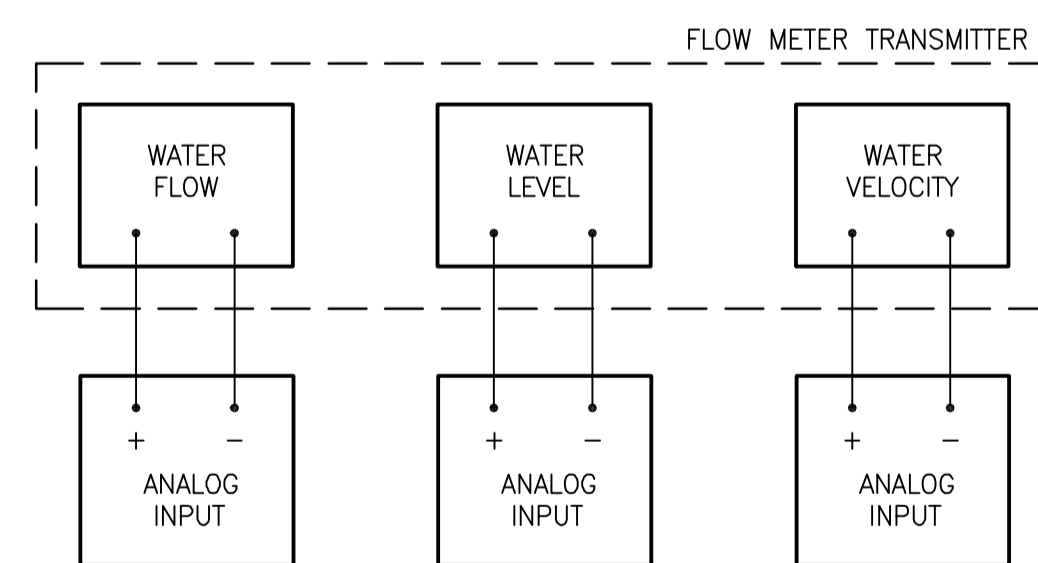


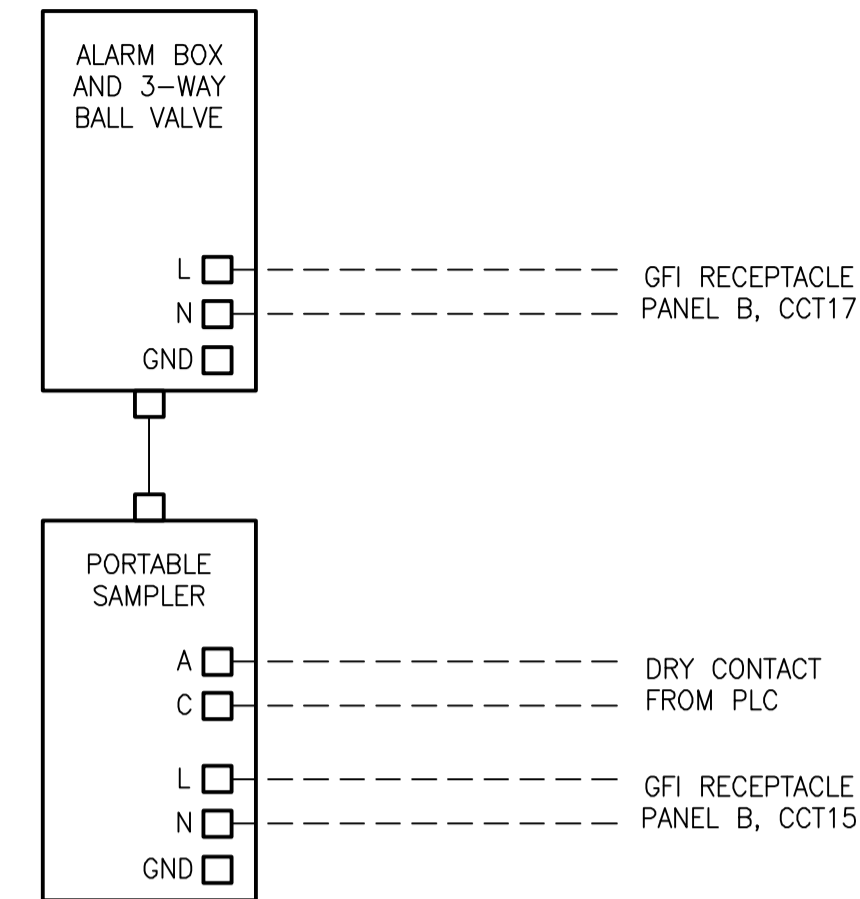
CONTROLS WIRING DIAGRAM



DISCRETE OUTPUT CARD No.1

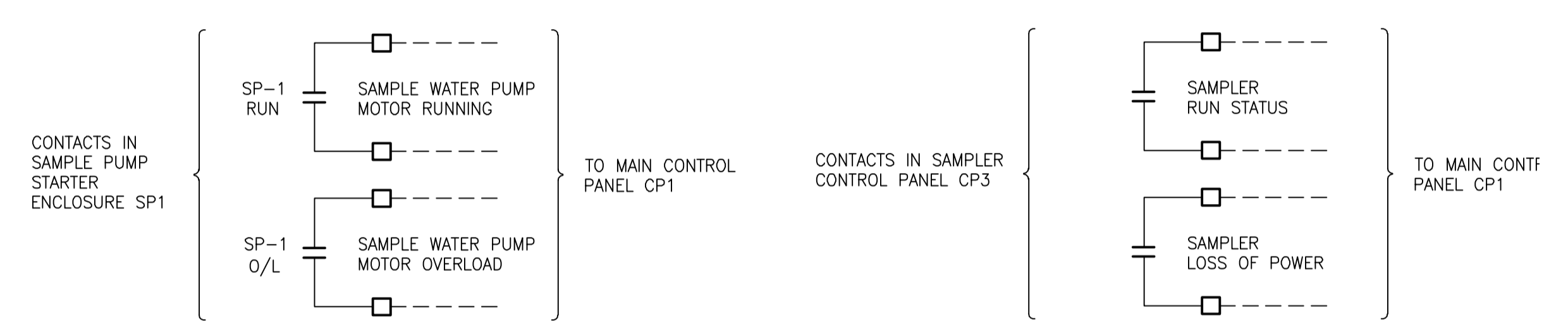


ANALOG INPUT CARD No.1

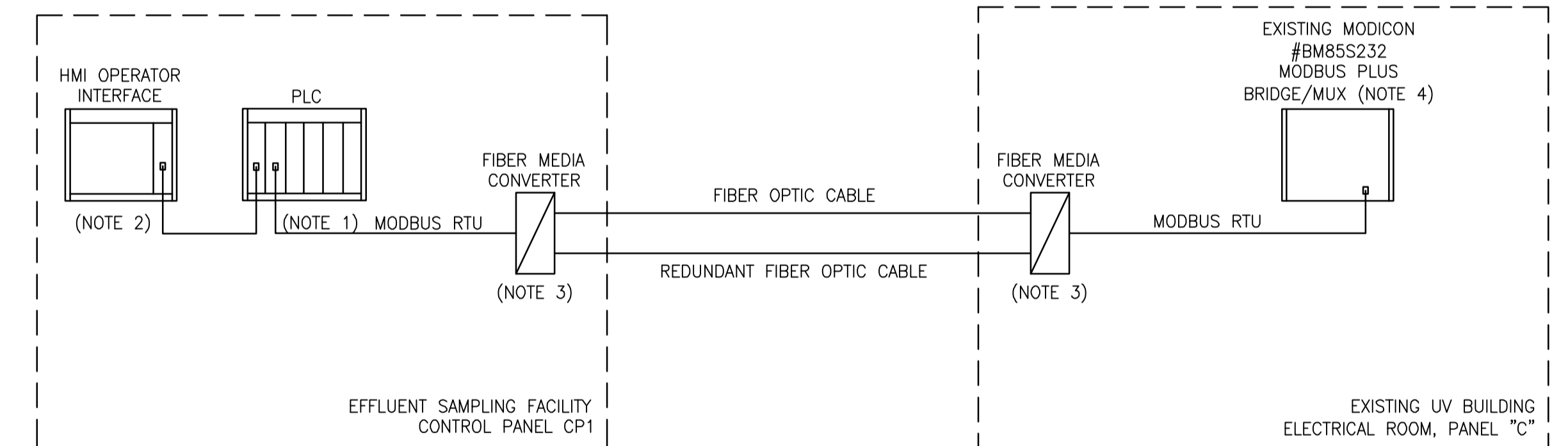


PORTABLE SAMPLER

- NOTES:
- 1) ALARM BOX TO HAVE CONNECTORS FOR BOTH 6712 AND 3700 SAMPLERS.
  - 2) DRY CONTACT FROM PLC TO BE CONNECTED TO PORTABLE SAMPLER THROUGH 8FT FLEXIBLE CABLE. ONE END OF THIS CABLE TO HAVE 6-PIN CONNECTOR. THIS CONNECTOR TO MATCH CONNECTOR ON PORTABLE SAMPLER AND TO BE SEPARATELY PURCHASED. ANOTHER END OF THIS CABLE TO END IN WALL MOUNTED JUNCTION BOX.
  - 3) DRY CONTACT FROM PLC TO BE CONNECTED TO TERMINALS "A" AND "C" ON 6-PIN CONNECTOR.
  - 4) INSTALL ONE WALL MOUNTED SWITCH CLOSE TO ALARM BOX MOUNTING PLATE. SWITCH TO BE CONNECTED TO PLC DISCRETE INPUT MODULE AND TO BE CLEARLY LABELED "PORTABLE SAMPLER START/STOP".



MISCELLANEOUS FIELD WIRING



- NOTES
- 1 - ROCKWELL AUTOMATION #1763-L16AWA PLC (MICROLOGIX 1100), C/W ONE #1762-IA8 DISCRETE INPUT EXPANSION MODULE AND ONE #1762-IF4 ANALOG INPUT EXPANSION MODULE
  - 2 - RED LION #G306A OPERATOR INTERFACE, 5.7" COLOUR TOUCHSCREEN
  - 3 - BLACK BOX #MED100A RS-232 TO FIBER MEDIA CONVERTER, C/W #PSD100 12VDC POWER SUPPLY
  - 4 - ALL PROGRAMMING OF EXISTING MODICON BRIDGE TO ACCOMMODATE ADDITIONAL PROCESS SIGNALS FROM NEW SEWPCC EFFLUENT SAMPLING BUILDING BY COW PERSONNEL

SCADA SYSTEM ARCHITECTURE

U:\11\2009\594\_01\mca\Sheet\_Plan\06\_electrical\06526-103.dwg  
 2009-10-13 11:58AM By: mca

METRIC  
 WHOLE NUMBERS INDICATE MILLIMETRES  
 DECIMALIZED NUMBERS INDICATE METRES

**APEGM**  
 Certificate of Authorization  
 Stantec Consulting Ltd.  
 No. 1301 Expiry: April 30, 2010

LOCATION APPROVED UNDERGROUND STRUCTURES

B.M. 81-007  
 ELEV. 230.438

SUPV. U/G STRUCTURES COMMITTEE DATE

NOTE:  
 LOCATION OF UNDERGROUND STRUCTURES AS SHOWN ARE BASED ON THE BEST INFORMATION AVAILABLE BUT NO GUARANTEE IS GIVEN THAT ALL EXISTING UTILITIES ARE SHOWN OR THAT THE GIVEN LOCATIONS ARE EXACT. CONFIRMATION OF EXISTENCE AND EXACT LOCATION OF ALL SERVICES MUST BE OBTAINED FROM THE INDIVIDUAL UTILITIES BEFORE PROCEEDING WITH CONSTRUCTION.

NO.	REVISIONS	DATE	BY
A	ISSUED FOR TENDER	09.10.13	

**Stantec Consulting Ltd.**  
 905 Waverley Street, Winnipeg, Manitoba  
 Tel 204-489-5900 Fax 204-453-9012

DESIGNED BY	S.T.	CHECKED BY	D.D.
DRAWN BY	S.T.	APPROVED BY	D.D.
HOR. SCALE:		RELEASED FOR CONSTRUCTION:	
VERTICAL:		DATE	

ENGINEER'S SEAL

ORIGINAL SEALED BY  
 S. TREBIC  
 P. ENG.  
 09/10/13

THE CITY OF WINNIPEG  
 WATER AND WASTE DEPARTMENT

**Winnipeg**

**SOUTH END WATER POLLUTION CONTROL CENTRE**  
 INSTALLATION OF OUTFALL PIPE,  
 EFFLUENT SAMPLING BUILDING AND ASSOCIATED WORKS  
 MISCELLANEOUS CONTROL WIRING  
 SCADA SYSTEM ARCHITECTURE

BID OPPORTUNITY NO. 709-2009  
 CITY DRAWING NUMBER 1-0102A-E0013-001-01  
 SHEET 1 OF 1