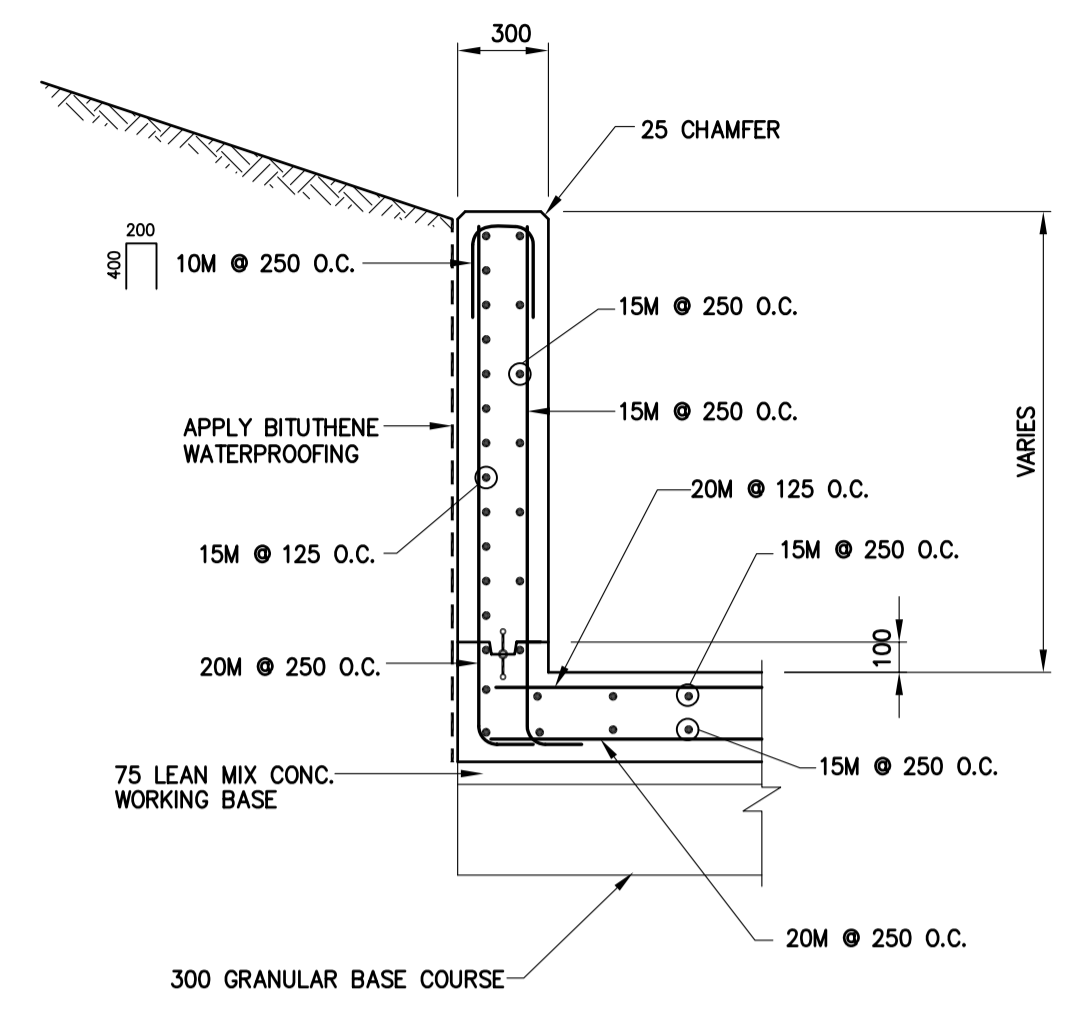
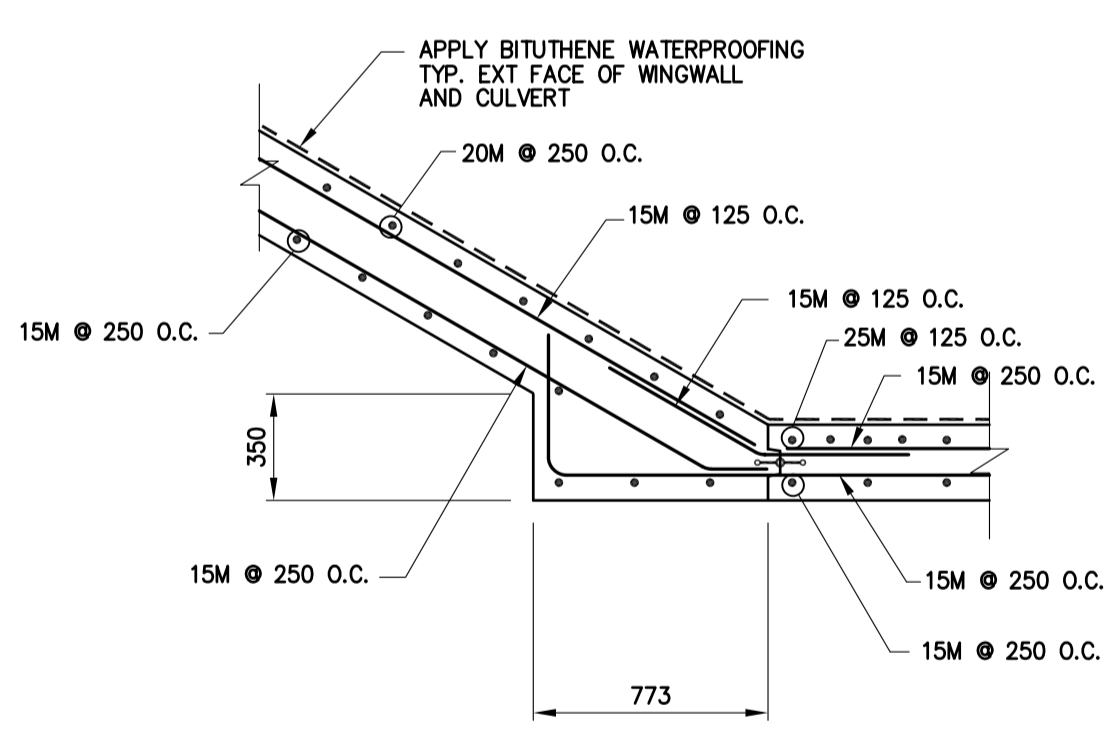


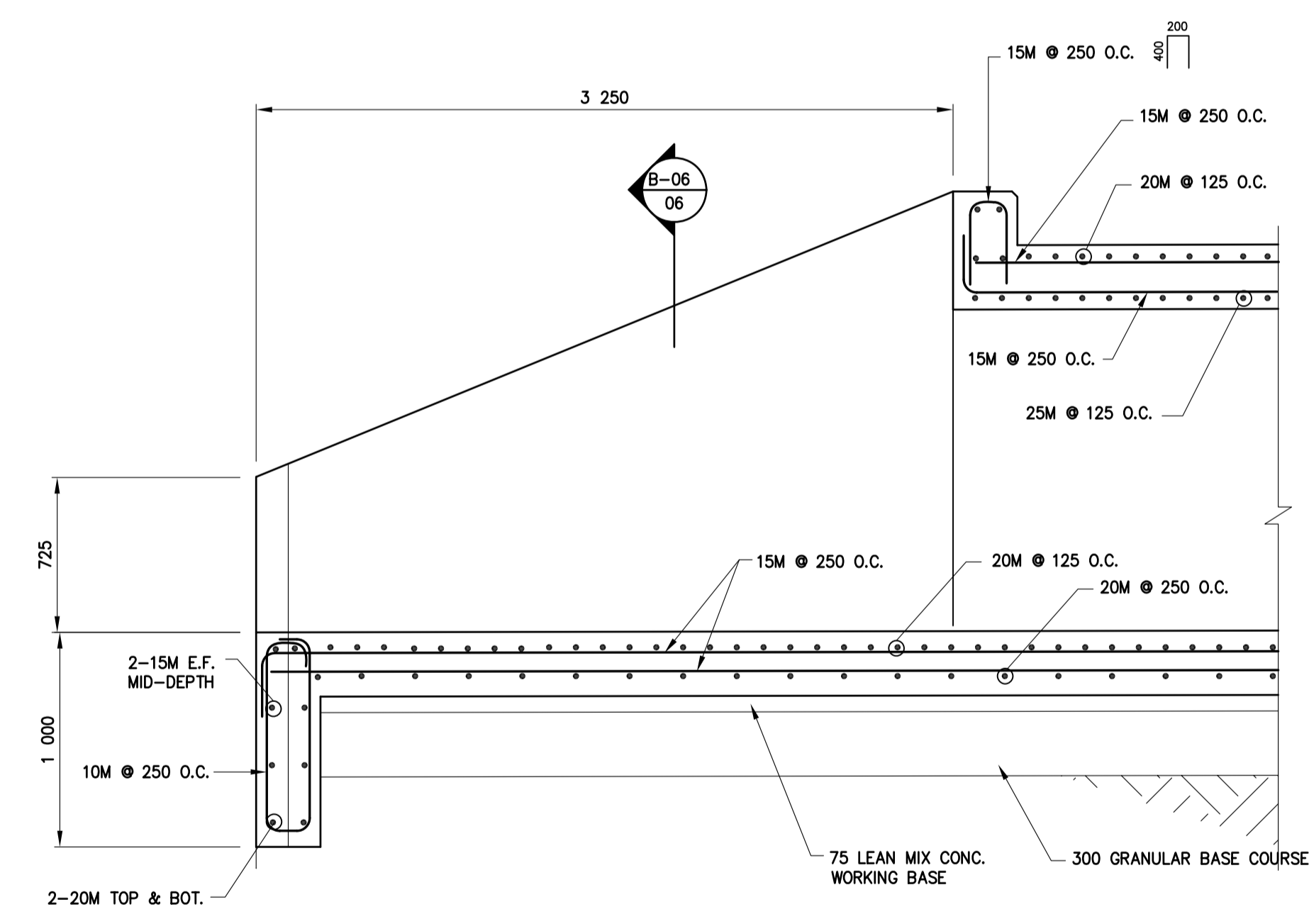
SECTION **A-06**
1:25
05



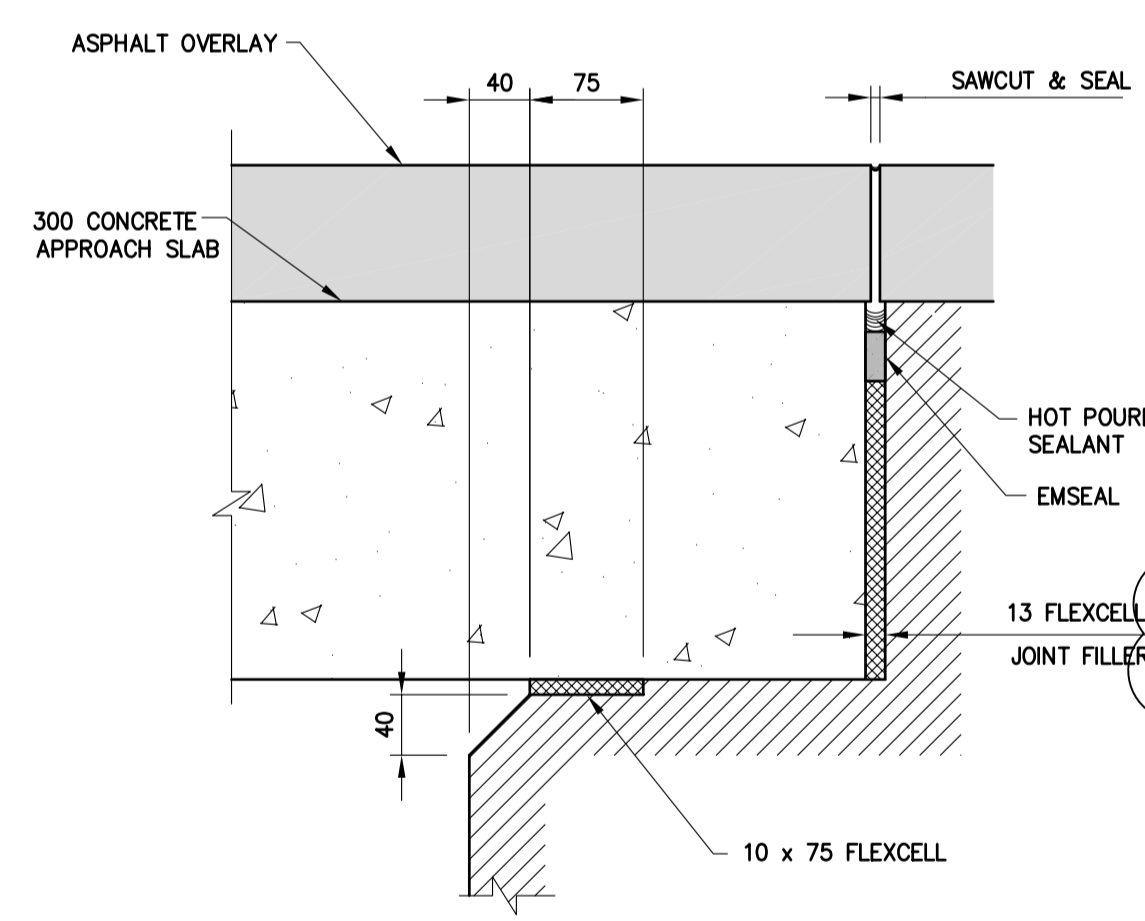
SECTION **B-06**
1:25
06



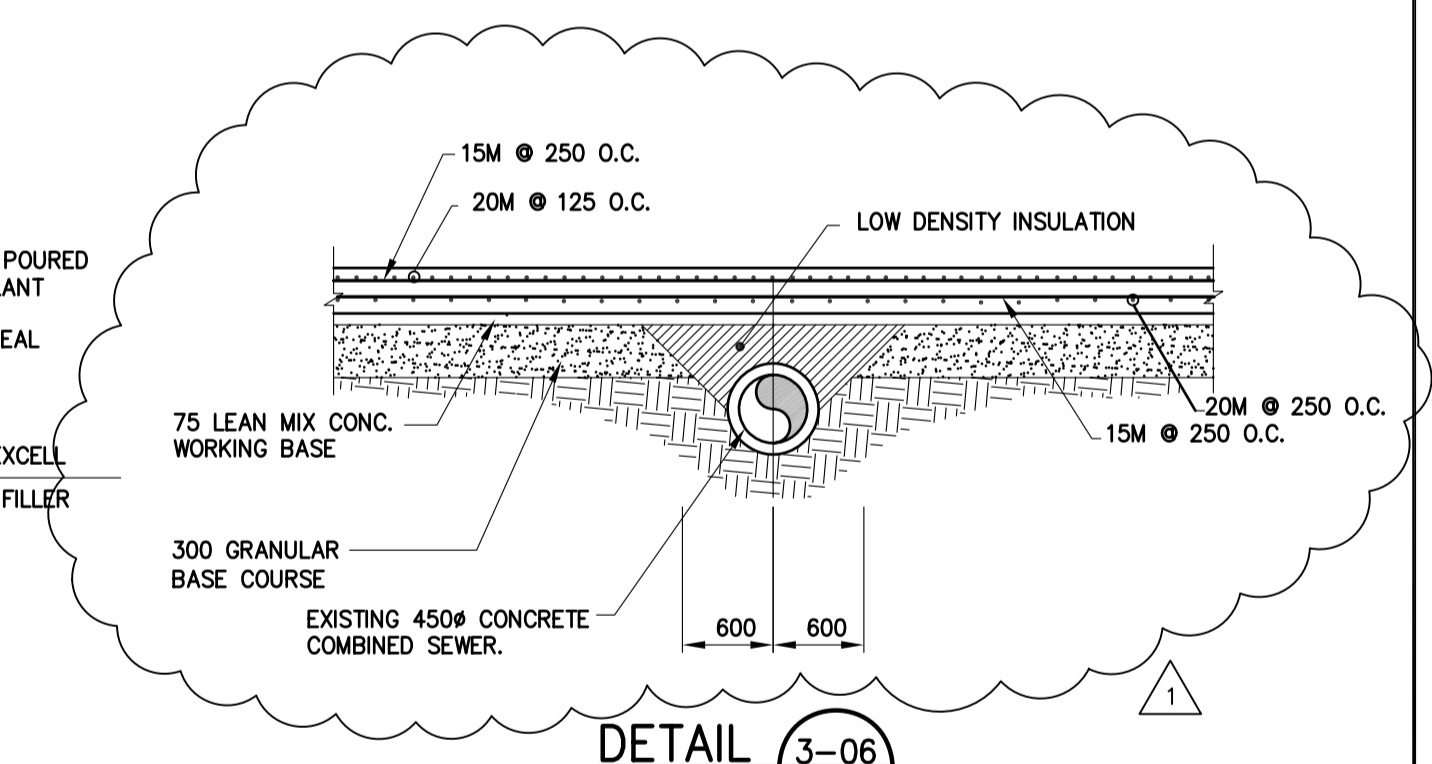
SECTION **C-06**
1:25
05



DETAIL **1-06**
1:25
05



DETAIL **2-06**
1:5
05



DETAIL **3-06**
1:50
05

CLEAR COVER TO REINFORCING STEEL
 PERMANENTLY EXPOSED TO EARTH = 75mm
 TOP OF ROOF AND APPROACH SLAB = 60mm
 ALL OTHER UNLESS NOTED OTHERWISE = 50mm

MINIMUM LAP LENGTH	
	REBAR
10M	520
15M	740
20M	900
25M	1 450

METRIC
 WHOLE NUMBERS INDICATE MILLIMETRES
 DECIMALIZED NUMBERS INDICATE METRES

LOCATIONS APPROVED			
UNDERGROUND STRUCTURES			
SIGNED BY:	DATE	DATE	DATE
SUPV U/G STRUCTURES			

DESIGNED BY		CHECKED BY	
DRAWN BY		APPROVED BY	
HOR. SCALE	AS SHOWN	RELEASED FOR CONSTRUCTION	DATE
1	ISSUED FOR ADDENDUM #2	09.08.18	JPL
0	ISSUED FOR TENDER	09.07.31	JPL
No.	REVISIONS	DATE	BY

ENGINEER'S SEAL
 PROVINCE OF MANITOBA
 J. P. LUKASHENKO
 REGISTERED PROFESSIONAL ENGINEER
 BID OPPORTUNITY
 579-2009

CITY OF WINNIPEG
 PUBLIC WORKS DEPARTMENT
 TRANSPORTATION ENGINEERING DIVISION

ALBANY STREET
 CROSSING OF TRURO CREEK

REINFORCING DETAILS

CONSULTANT DRAWING NUMBER: 42088-S04
 SHEET 6 OF 6
 CITY DRAWING NUMBER: C340-09-06

APEGM
 Certificate of Authorization
 MMM Group Limited
 No. 4531 Date: 09.07.31

Aug 18, 2009 - 11:42am
 P:\42000 - 42088\42088 - Albany Street Crossing of Truro Creek\Drawings\42088 - albany.s04 reinforcing details 090731.dwg - tab.layout1

NOTE:
 These design documents are prepared solely for the use by the party with whom the design professional has entered into a contract and there are no representations of any kind made by the design professional to any party with whom the design professional has not entered into a contract.