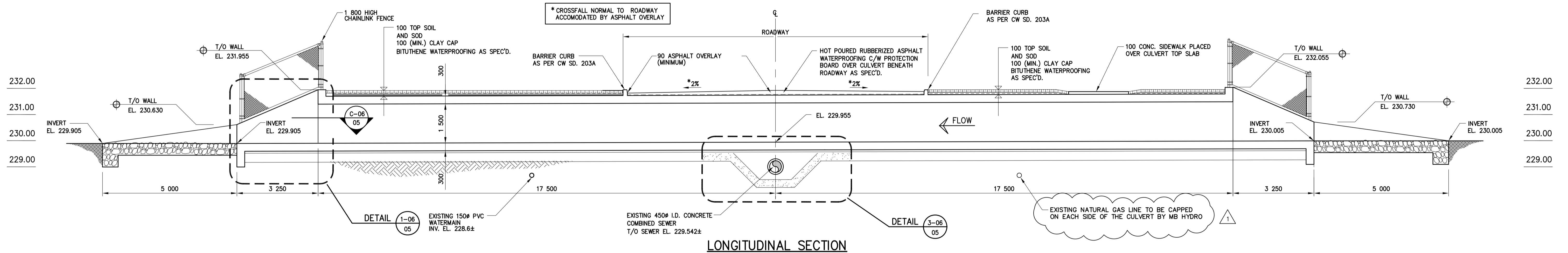
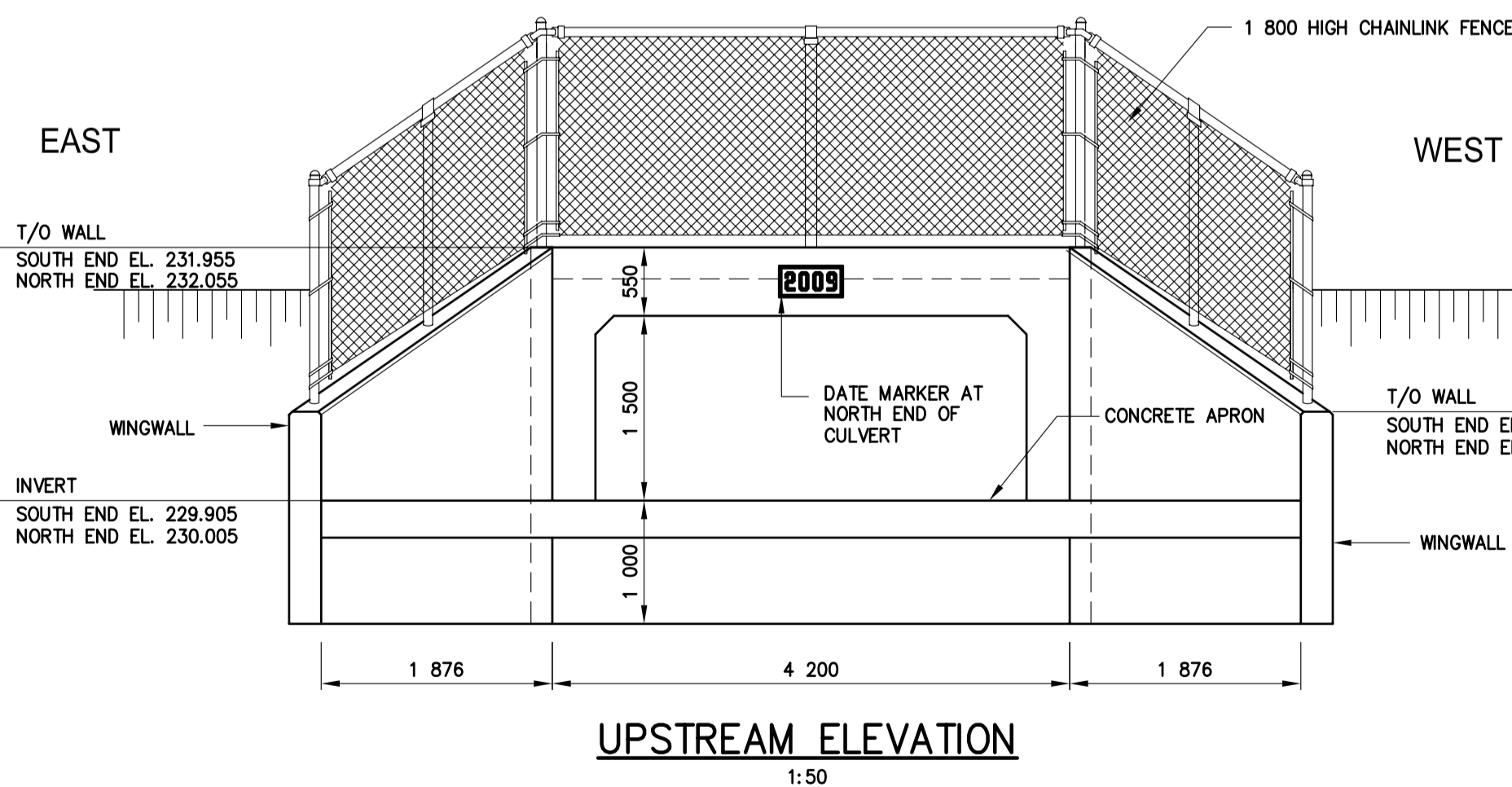


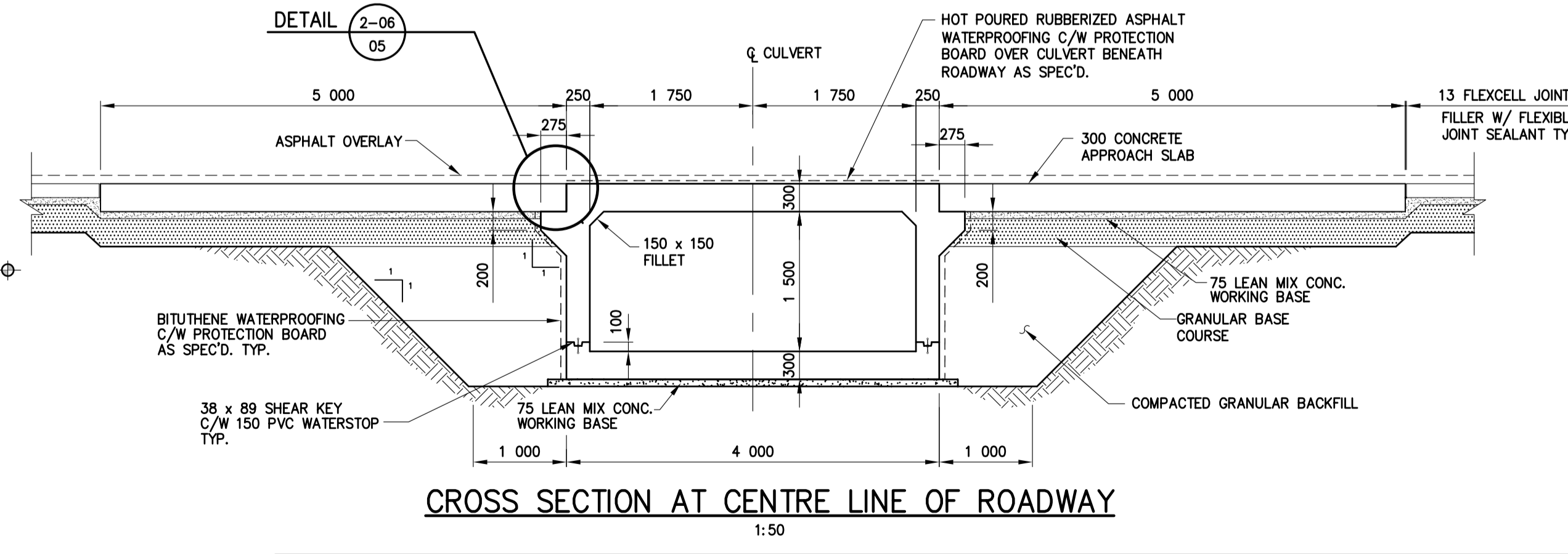
PLAN
1:75



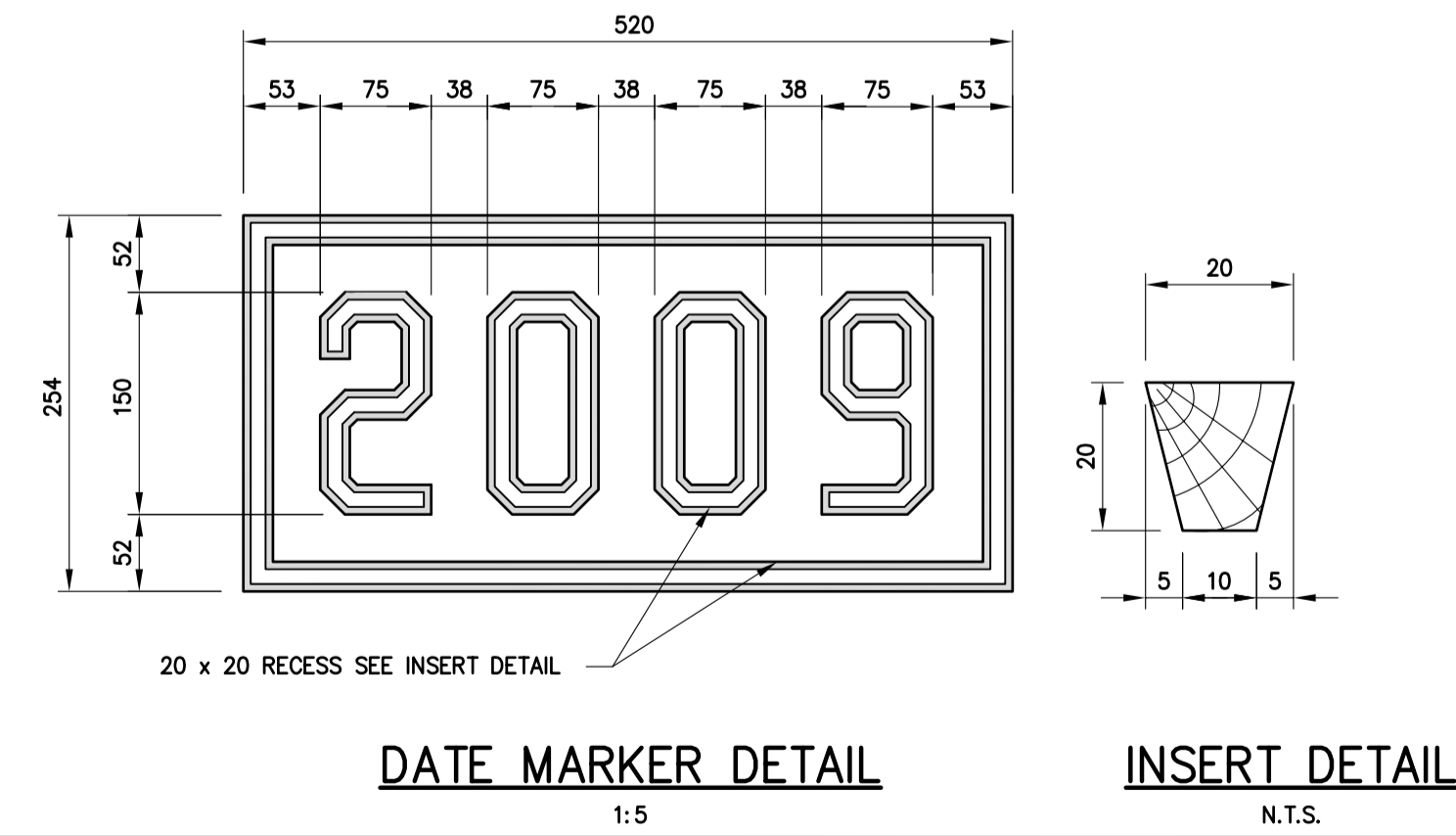
LONGITUDINAL SECTION
1:75



UPSTREAM ELEVATION
1:50



CROSS SECTION AT CENTRE LINE OF ROADWAY
1:50



DATE MARKER DETAIL
1:5

INSERT DETAIL
N.T.S.



A = DETAIL/SECTION No.
B = DRAWING WHERE SHOWN
C = DRAWING WHERE TAKEN

METRIC
WHOLE NUMBERS INDICATE MILLIMETRES
DECIMALIZED NUMBERS INDICATE METRES

LOCATIONS APPROVED	
SUPV	U/G STRUCTURES

No.	REVISIONS	DATE	BY
1	ISSUED FOR ADDENDUM #1	09.08.14	JPL
0	ISSUED FOR TENDER	09.07.31	JPL

DESIGNED BY		CHECKED BY	
MLW	GK		
DRAWN BY		APPROVED BY	
RCS	JPL		
HOR. SCALE		RELEASED FOR CONSTRUCTION	
AS SHOWN			
VERT. SCALE		ORIGINAL SIGNED BY B.A. NEIRNICK	
AS SHOWN			



CITY OF WINNIPEG
PUBLIC WORKS DEPARTMENT

ALBANY STREET
CROSSING OF TRURO CREEK

PLAN, SECTIONS AND DETAILS

CONSULTANT DRAWING NUMBER: 42088-S03
SHEET: 5 OF 6
CITY DRAWING NUMBER: C340-09-05

Aug 14, 2009 - 9:25am
 P:\42000 - 42089\42088 Albany Street Crossing of Truro Creek\Drawings\42088 Albany Street Crossing of Truro Creek.dwg - tab:W/CUT1

NOTE: These design documents are prepared solely for the use by the party with whom the design professional has entered into a contract and there are no representations of any kind made by the design professional to any party with whom the design professional has not entered into a contract.