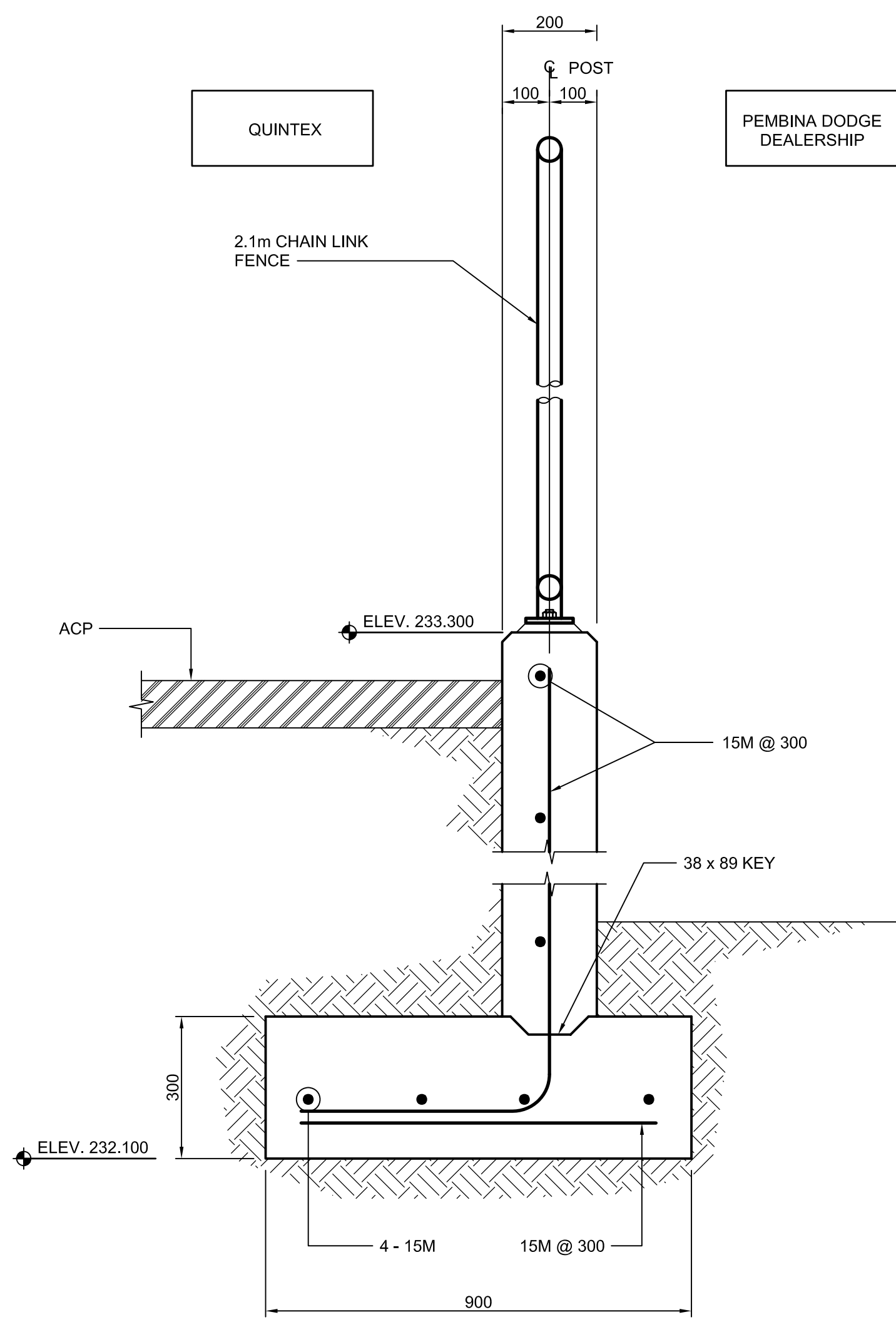
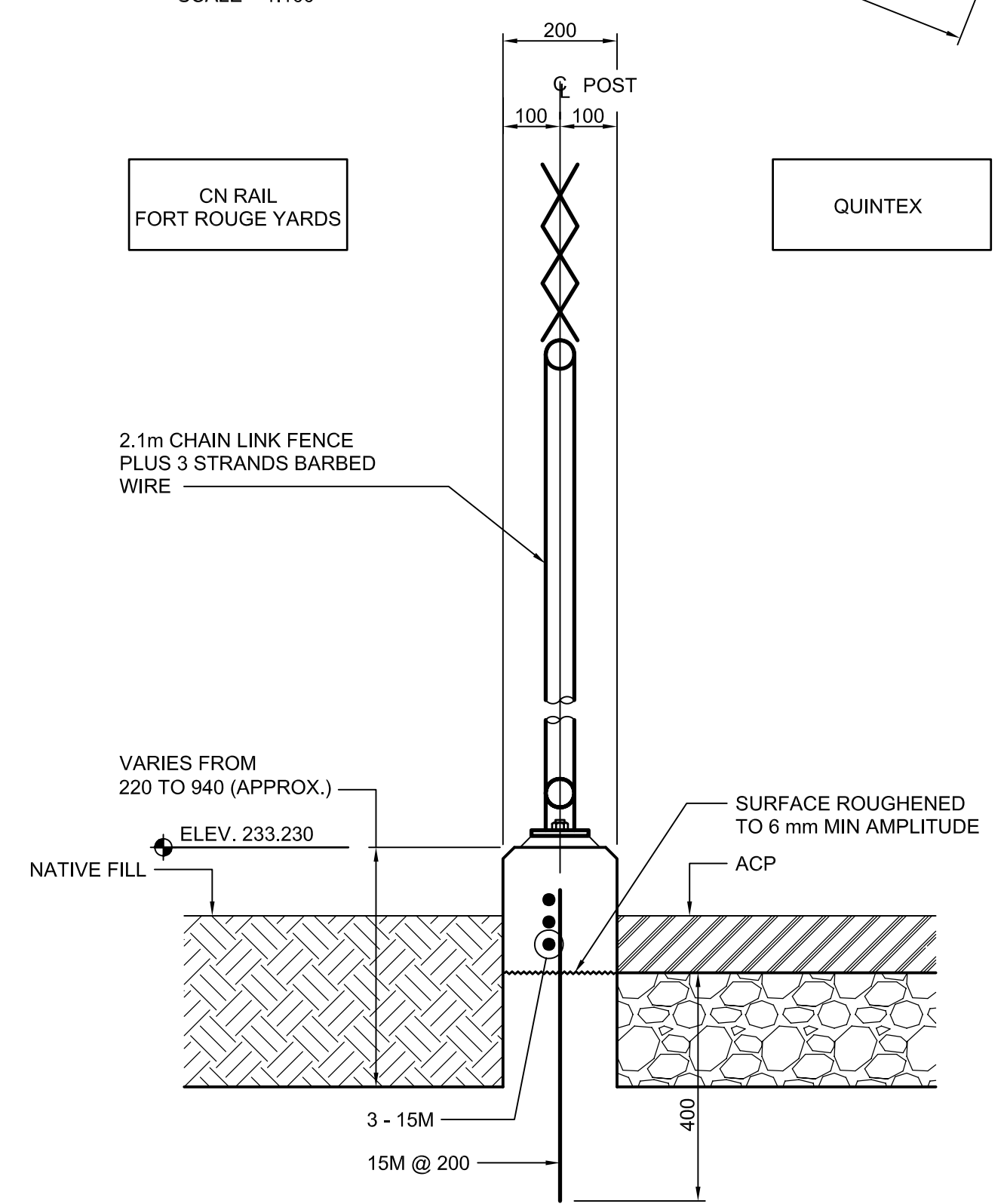


NORTH PORTAL AREA
SCALE 1:100

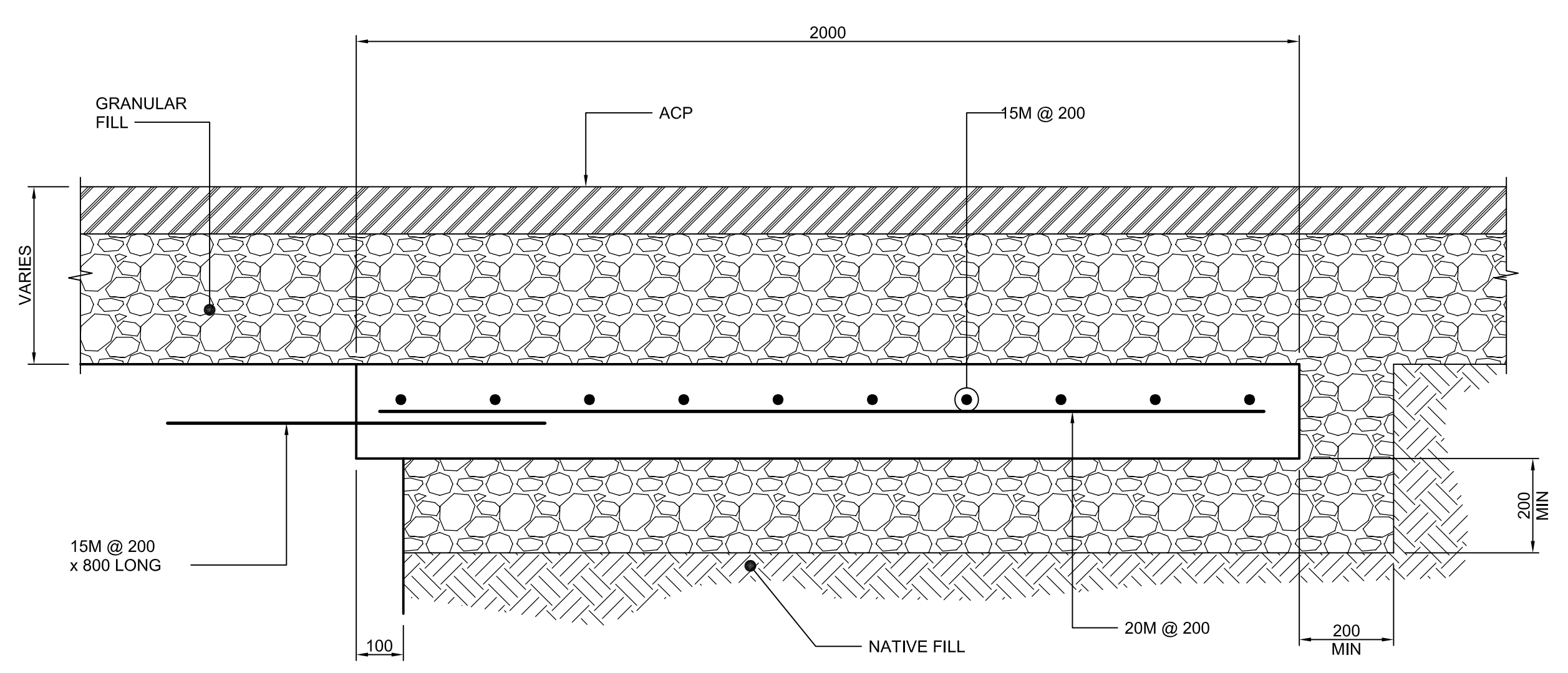
SECTION A
SCALE 1:10



SECTION B
SCALE 1:10



SECTION C
SCALE 1:10



SECTION D
SCALE 1:10

NOTE:
PLACE SLAB IN SEPARATE
SEGMENTS 2 - 3 m IN LENGTH
(TOTAL LENGTH ~ 35 m)

G:\cadd\088813\Contract\Contract_1\Current\C4-S1117-P.dwg

LOCATION UNDERGROUND	APPROVED STRUCTURES	B.M. ELEV.	DESIGNED BY	KGW
SUPV. U/G STRUCTURES COMMITTEE	DATE		DRAWN BY	RCB
			CHECKED BY	KGW
			APPROVED BY	DPK
			HOR. SCALE	AS SHOWN
			VERTICAL	AS SHOWN
			DATE	2009/06/24
			DATE	

APEGM
Certificate of Authorization
Dillon Consulting Limited (MB)
No. 1789 Date: OCTOBER 13, 2009

DILLON CONSULTING
RELEASED FOR CONSTRUCTION

ENGINEER'S SEAL
PROVINCE OF MANITOBA
ORIGINAL SIGNED BY:
K. G. WILLIS
10.13.2009
REGISTERED PROFESSIONAL ENGINEER
CONSULTANT PROJECT NO.
088813

THE CITY OF WINNIPEG
TRANSIT DEPARTMENT

Winnipeg

SOUTHWEST RAPID TRANSIT CORRIDOR - STAGE 1
TRANSITWAY TUNNEL AT CN RIVERS SUBDIVISION
MILEAGE 1.38 & ASSOCIATED WORKS

CITY DRAWING NUMBER
U237-09-40
SHEET 40 OF 73
CONSULTANT DRAWING NUMBER
C4-S1117-T

NORTH PORTAL AREA DETAILS