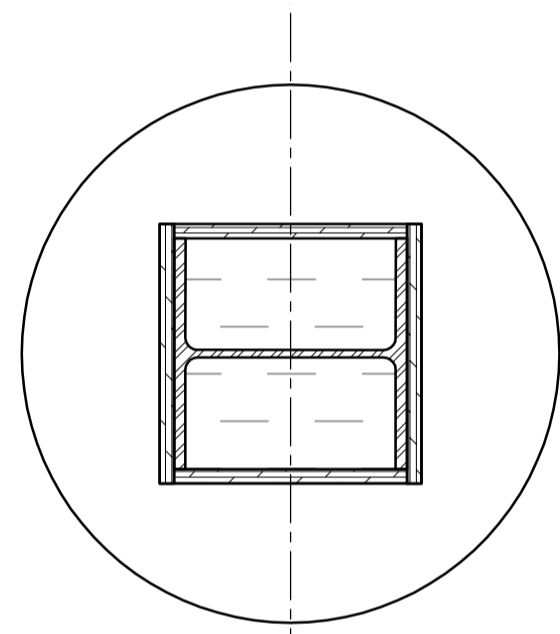
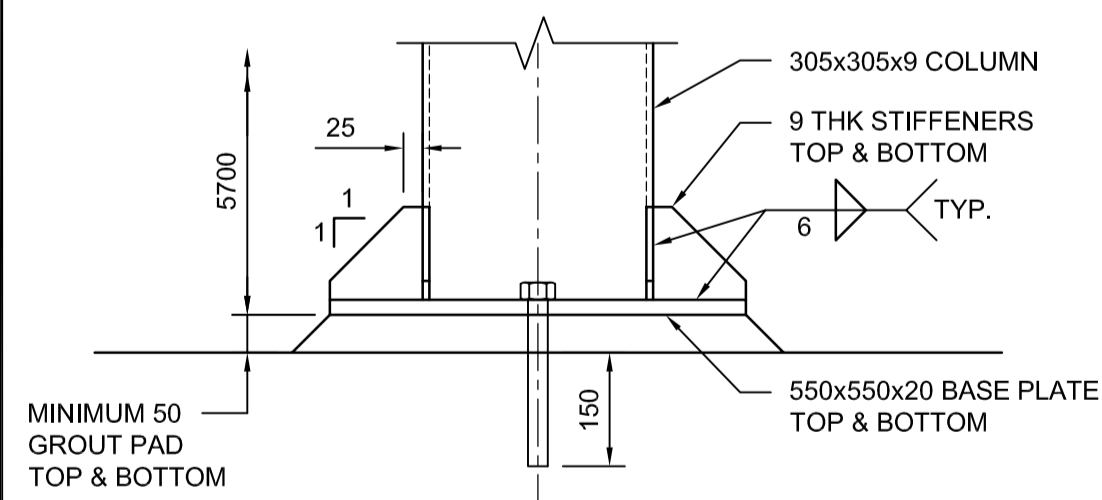


ELEVATION

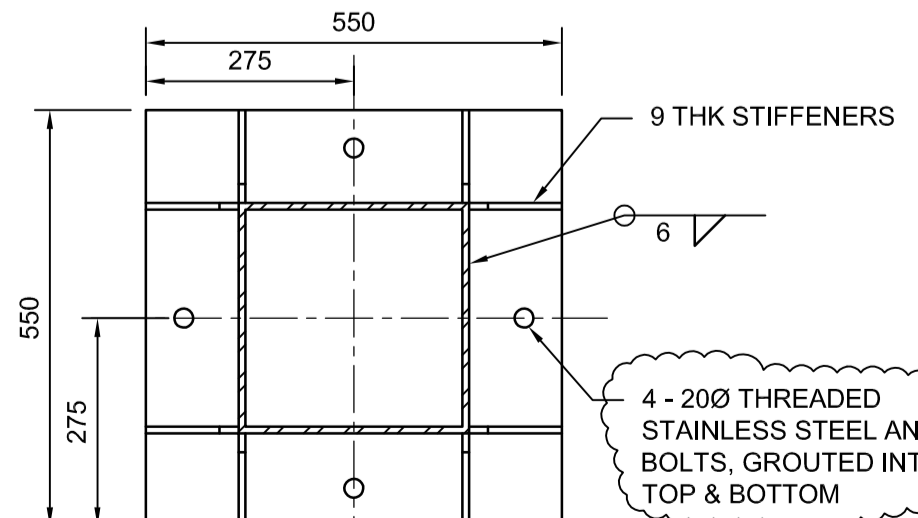


PLAN

DETAIL 1:20

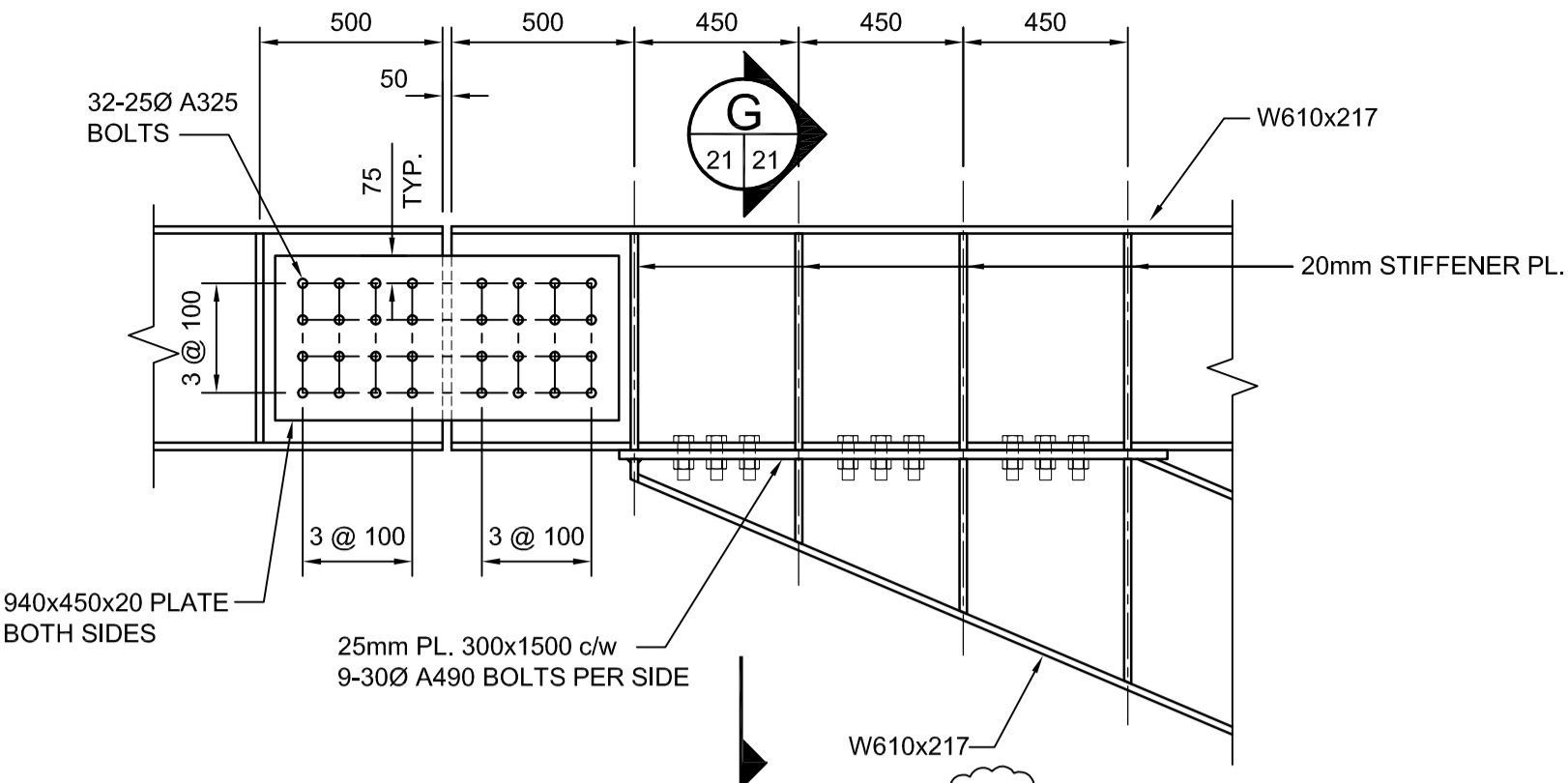


ELEVATION

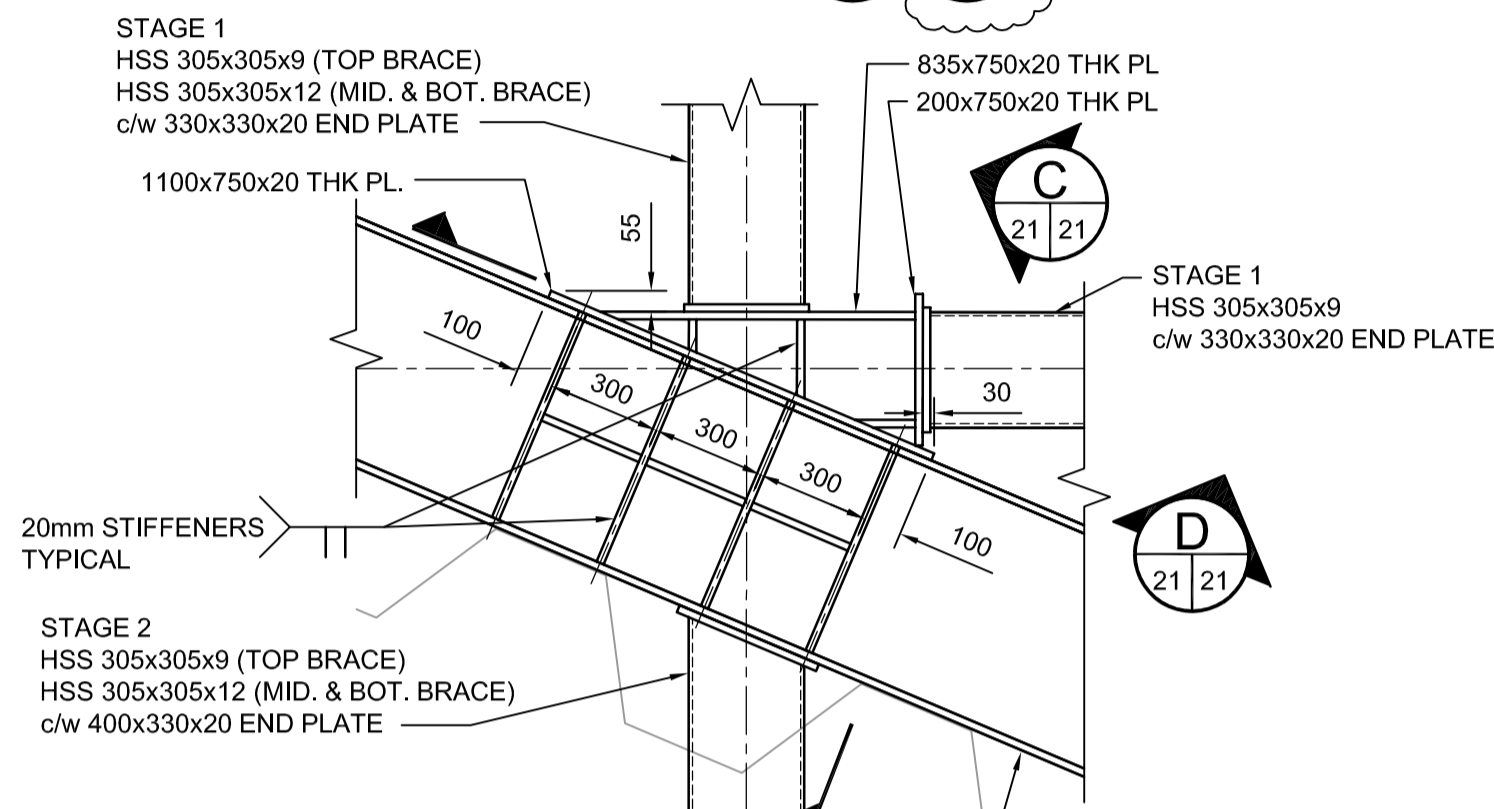


PLAN

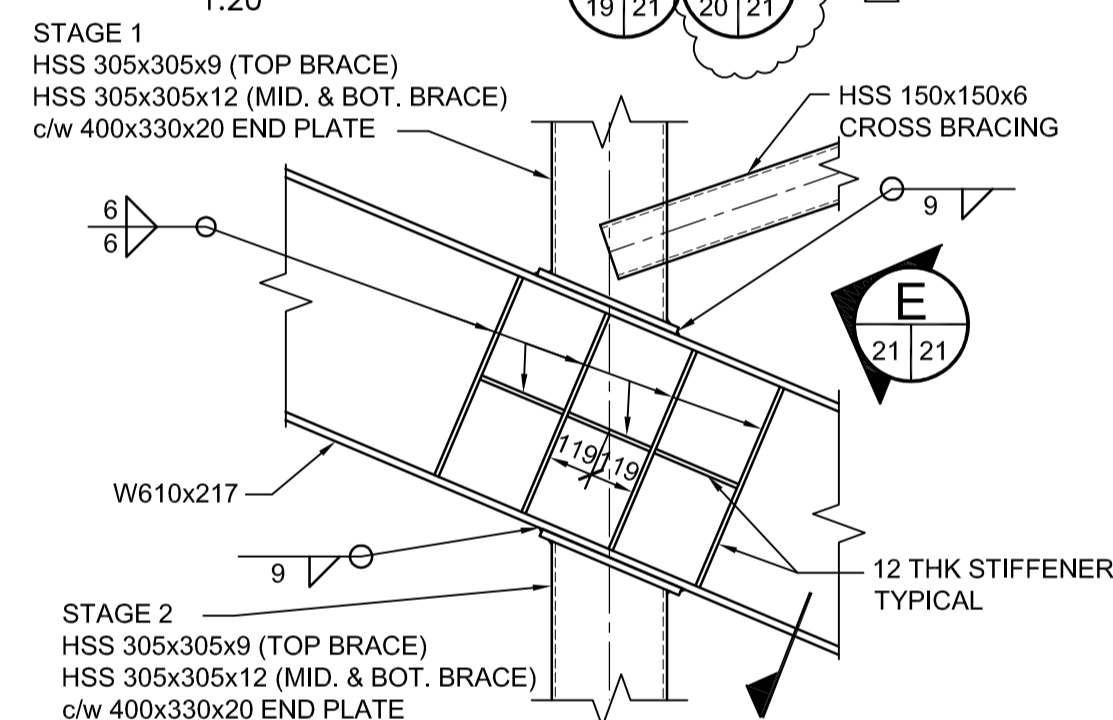
DETAIL 1:10



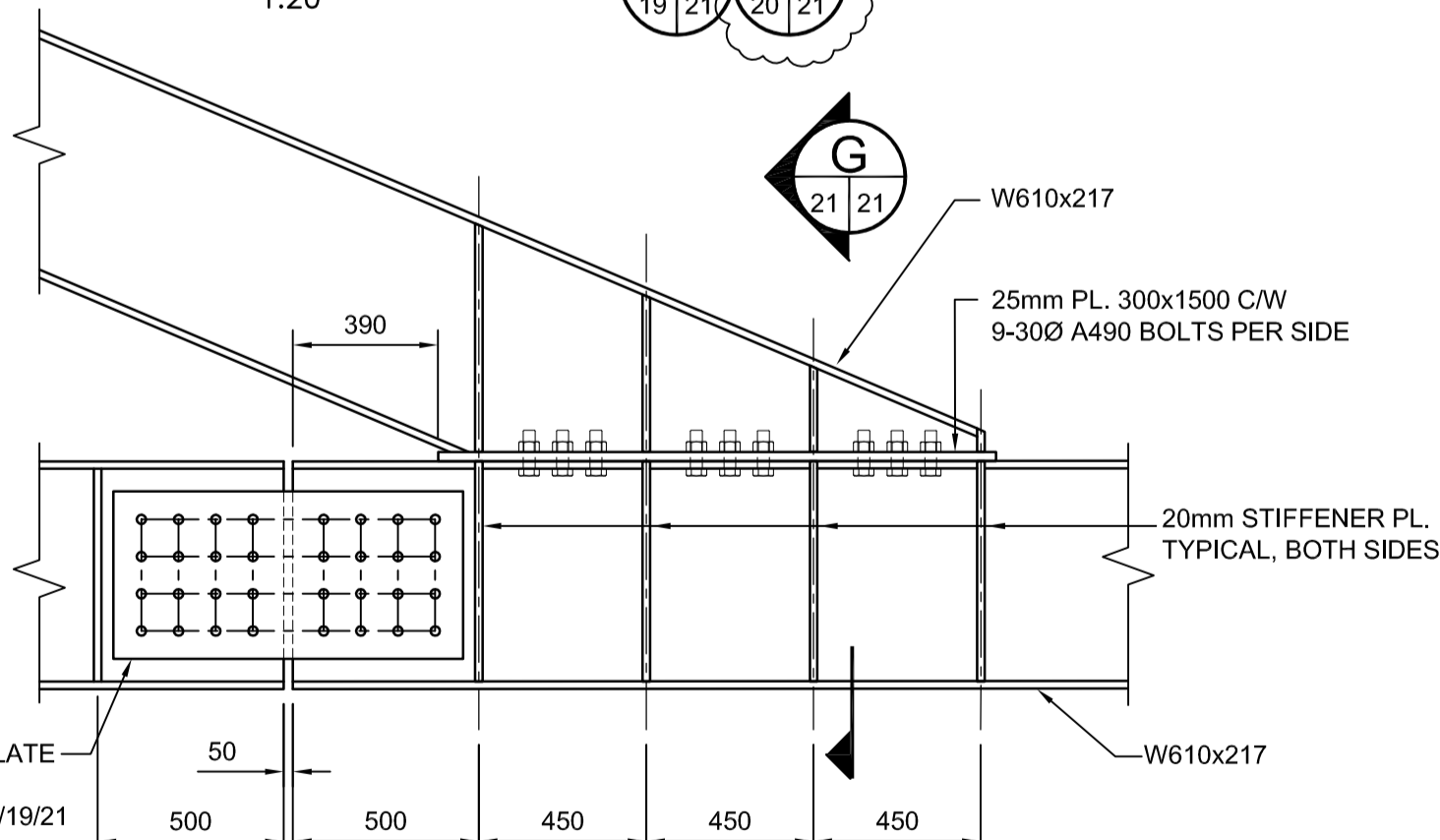
DETAIL 1:20



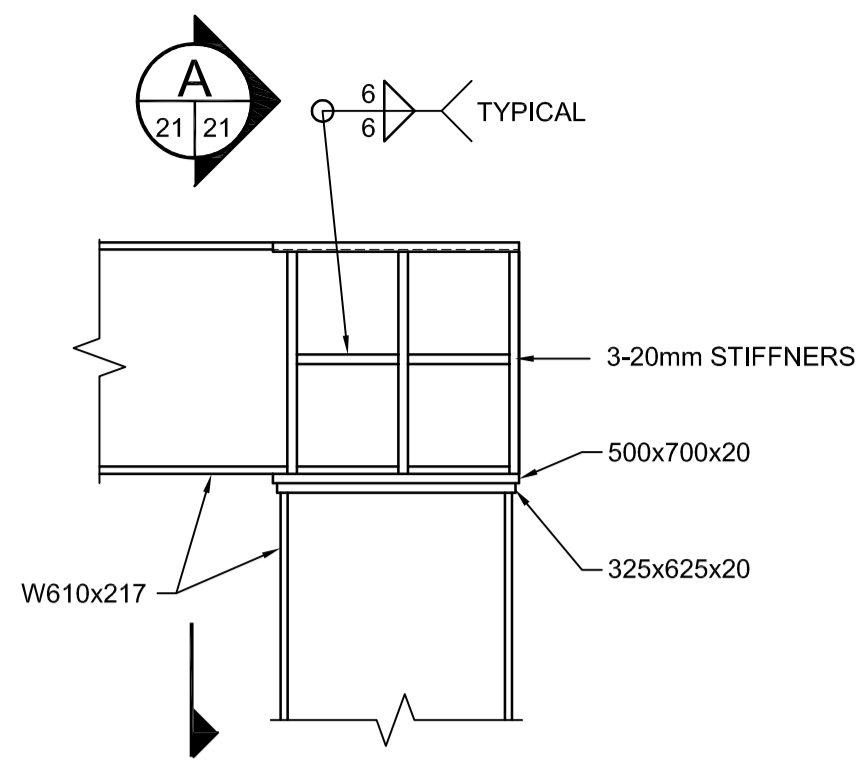
DETAIL 1:20



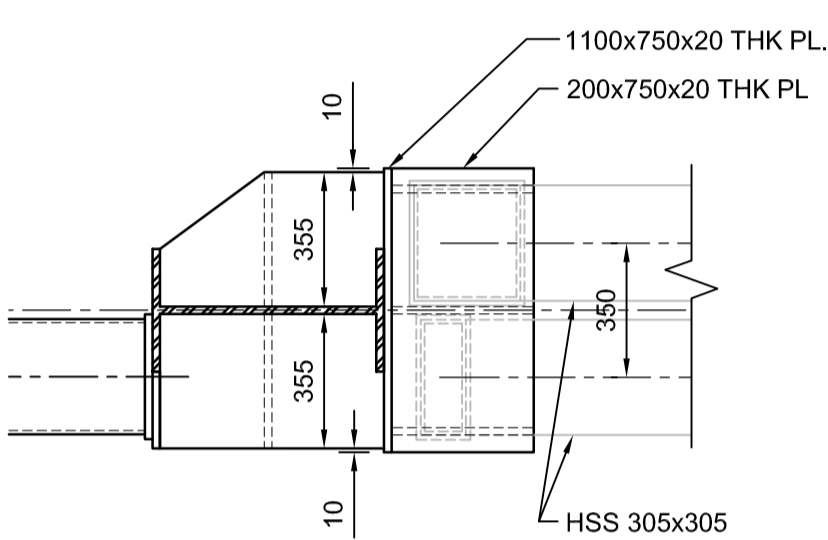
DETAIL 1:20



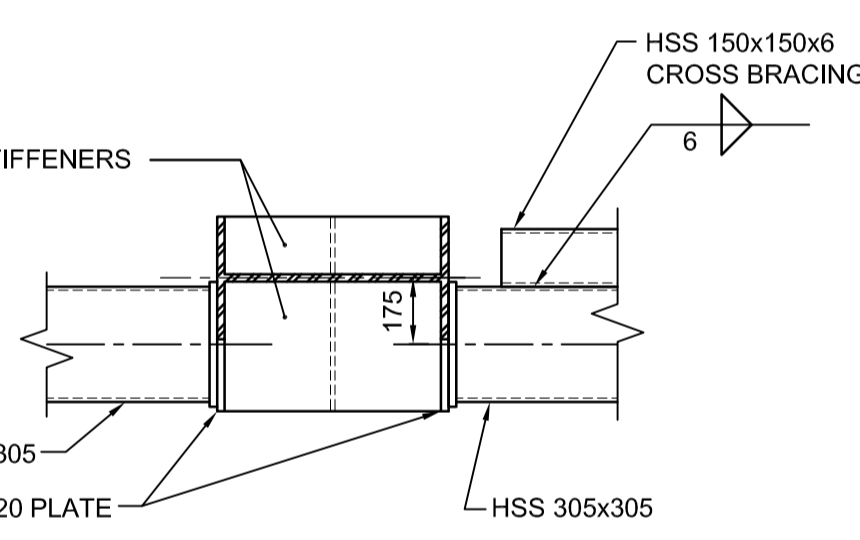
DETAIL 1:20



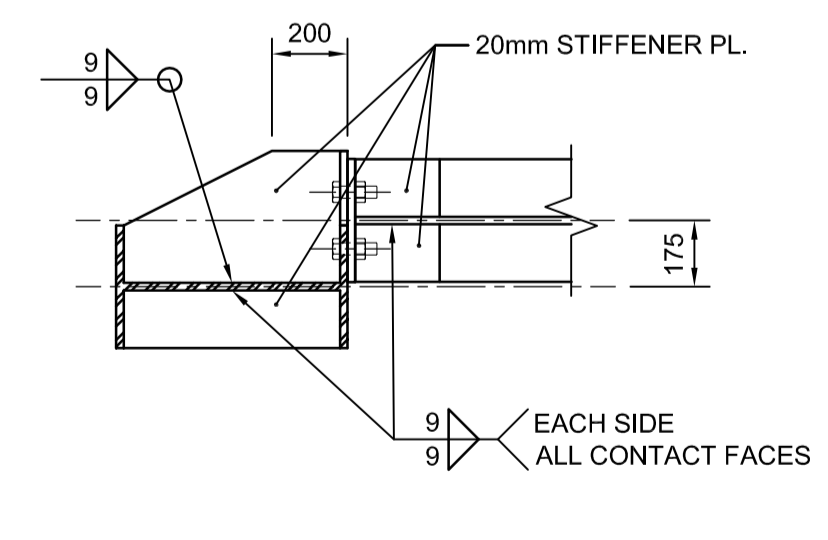
DETAIL 1:20



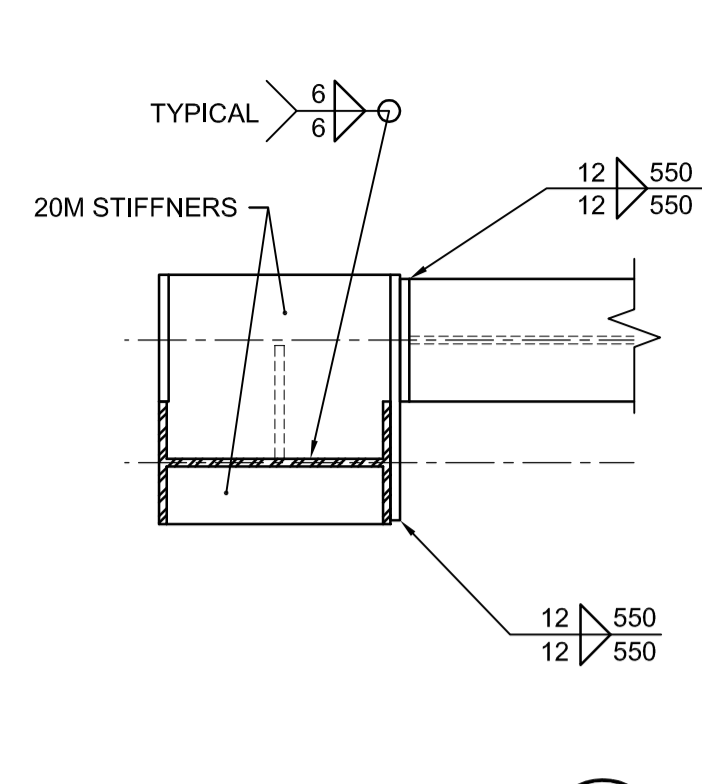
SECTION 1:20



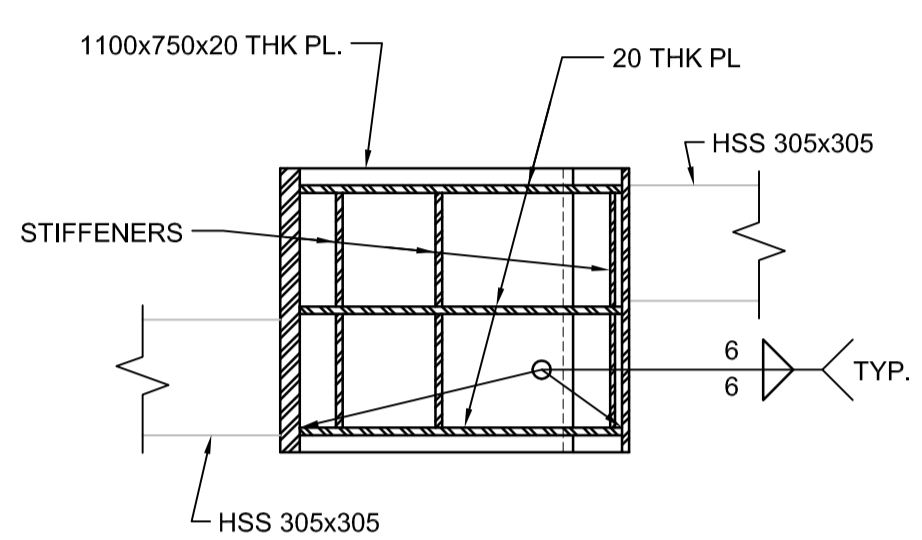
SECTION 1:20



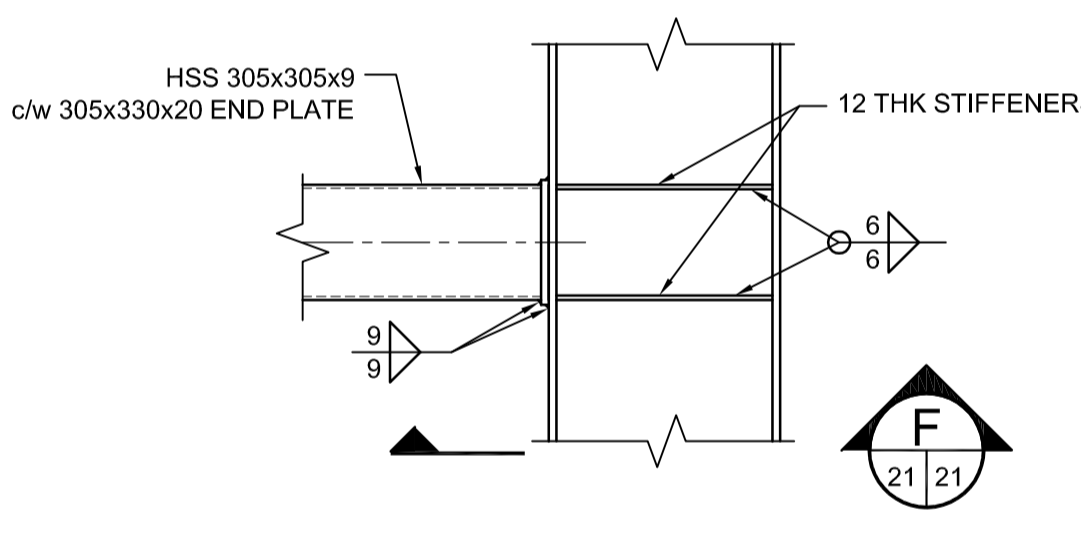
SECTION 1:20



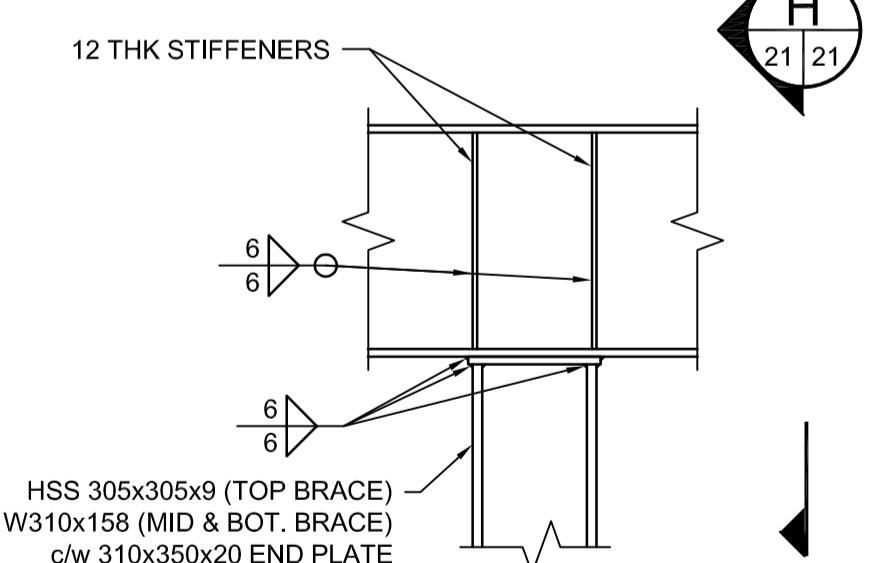
SECTION 1:20



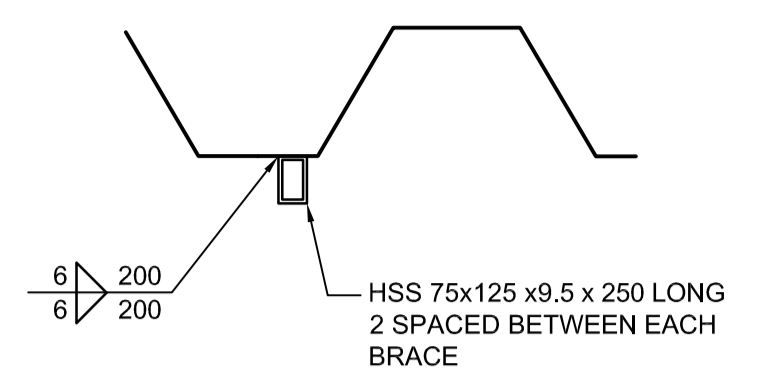
SECTION 1:20



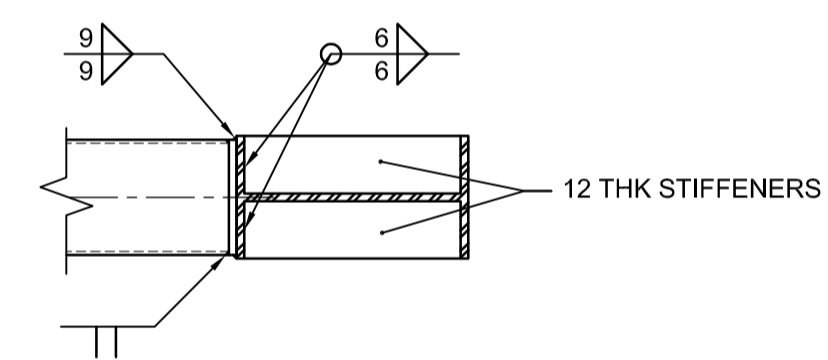
DETAIL 1:20



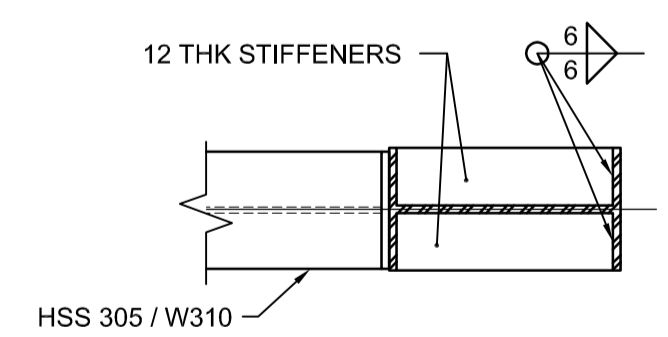
DETAIL 1:20



SECTION 1:20



SECTION 1:20



SECTION 1:20



DO NOT SCALE THIS DOCUMENT. ALL MEASUREMENTS MUST BE OBTAINED FROM STATED DIMENSIONS. This drawing has been prepared for the use of AECOM's client and may not be used, reproduced or relied upon by third parties, except as agreed by AECOM and its client, as required by law or for use by governmental reviewing agencies. AECOM accepts no responsibility, and denies any liability whatsoever, to any party that modifies this drawing without AECOM's express written consent.

LOCATION UNDERGROUND	APPROVED STRUCTURES	B.M. ELEV.	DESIGNED BY	FK
SUPV. U/G STRUCTURES COMMITTEE	DATE		DRAWN BY	KA
			CHECKED BY	RE/KC
			APPROVED BY	EBL
			HOR. SCALE	AS NOTED
			VERTICAL	
1	ISSUED FOR ADDENDUM 4	11.04.2009	DATE	2009.10.13
0	ISSUED FOR TENDER	10.13.2009	DATE	
NO.	REVISIONS	DATE	BY	

1	ISSUED FOR ADDENDUM 4	11.04.2009	KA
0	ISSUED FOR TENDER	10.13.2009	KA
NO.	REVISIONS	DATE	BY

DESIGNED BY	FK
DRAWN BY	KA
CHECKED BY	RE/KC
APPROVED BY	EBL
HOR. SCALE	AS NOTED
VERTICAL	
DATE	2009.10.13



THE CITY OF WINNIPEG TRANSIT DEPARTMENT	
SOUTHWEST RAPID TRANSIT CORRIDOR - STAGE 1 TRANSITWAY TUNNEL AT CN RIVER SUBDIVISION MILEAGE 1.38 & ASSOCIATED WORKS	
CITY DRAWING NUMBER	U237-09-21
SHEET	21 OF 73
CONSULTANT DRAWING NUMBER	C4-S1009-T
STRUCTURAL DETAILS SHEET 1 OF 2	

L:\work\112000\112000-02-cad\p1_drawing\STR\CONTR\577-2009_STRUCTURAL_DETAILS_SHEET_1_OF_2_C4S1009-T-R0.dwg