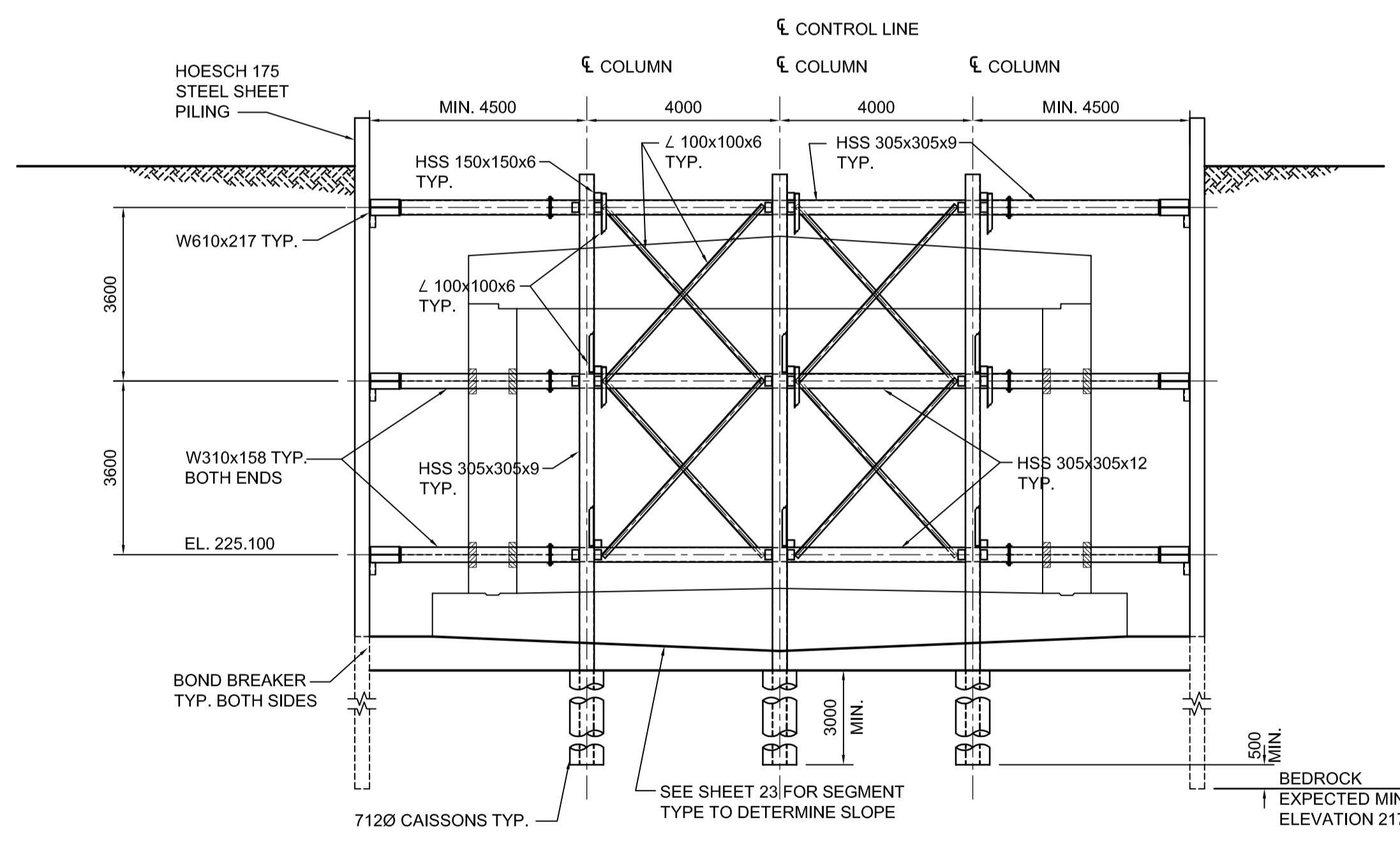
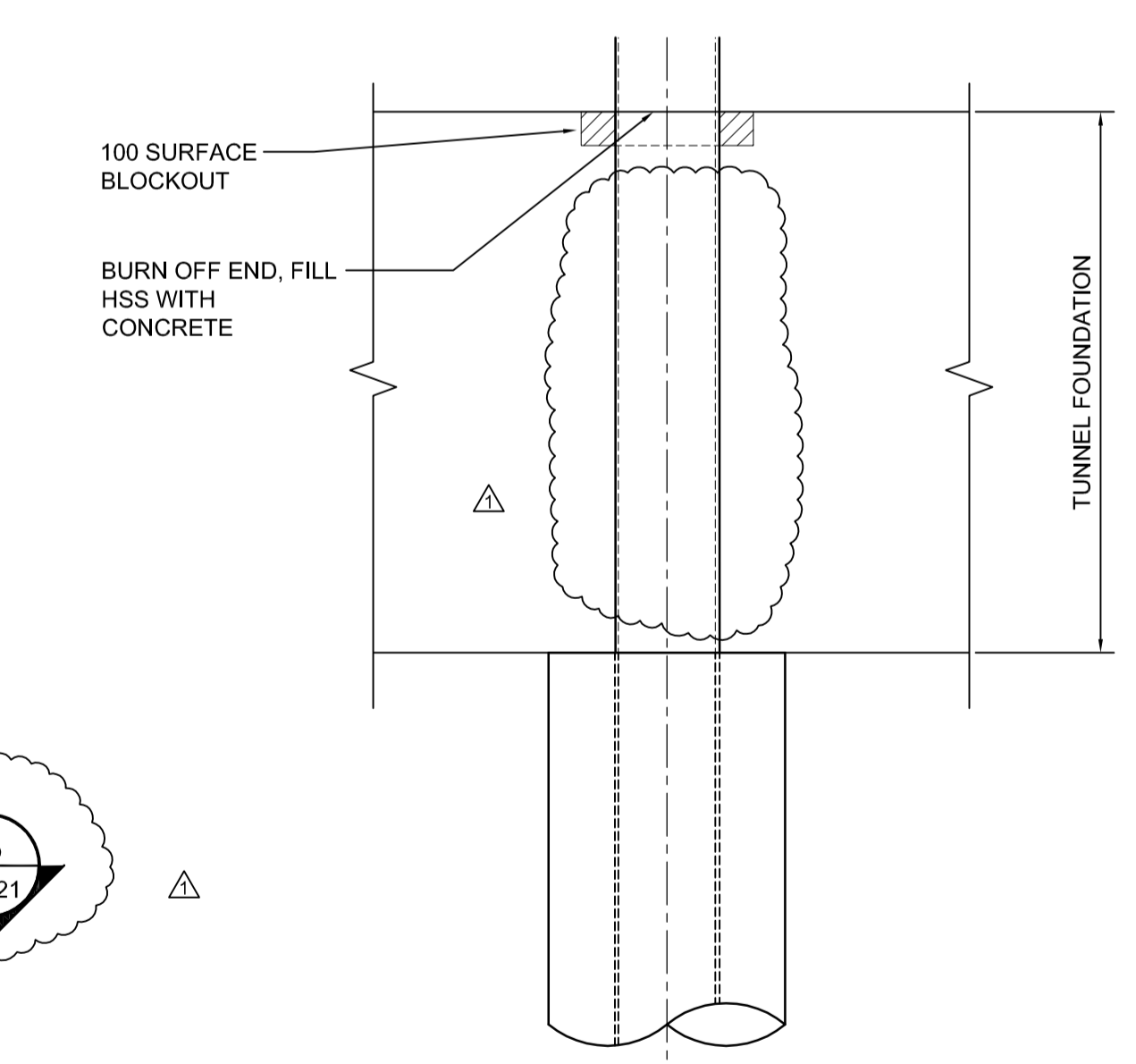
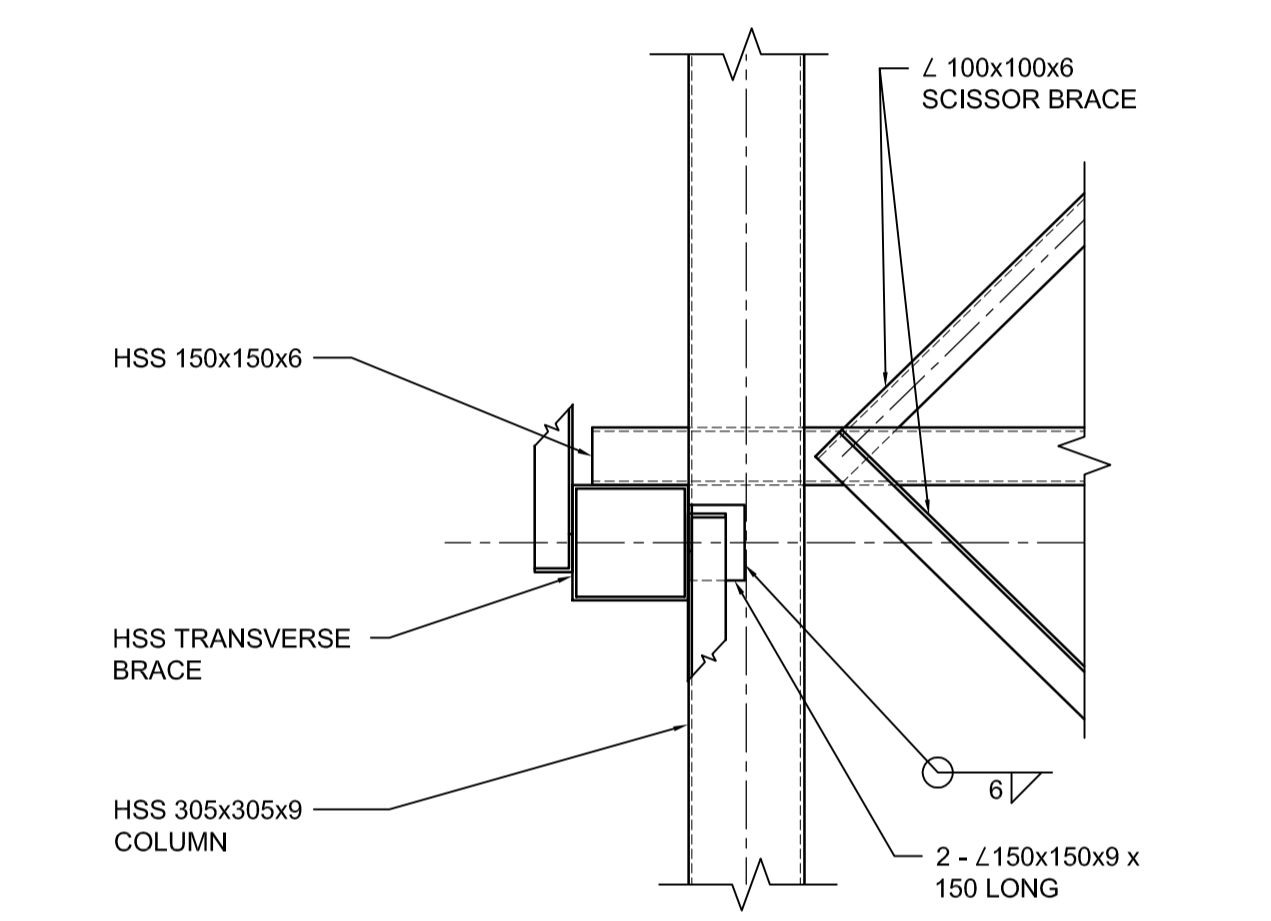
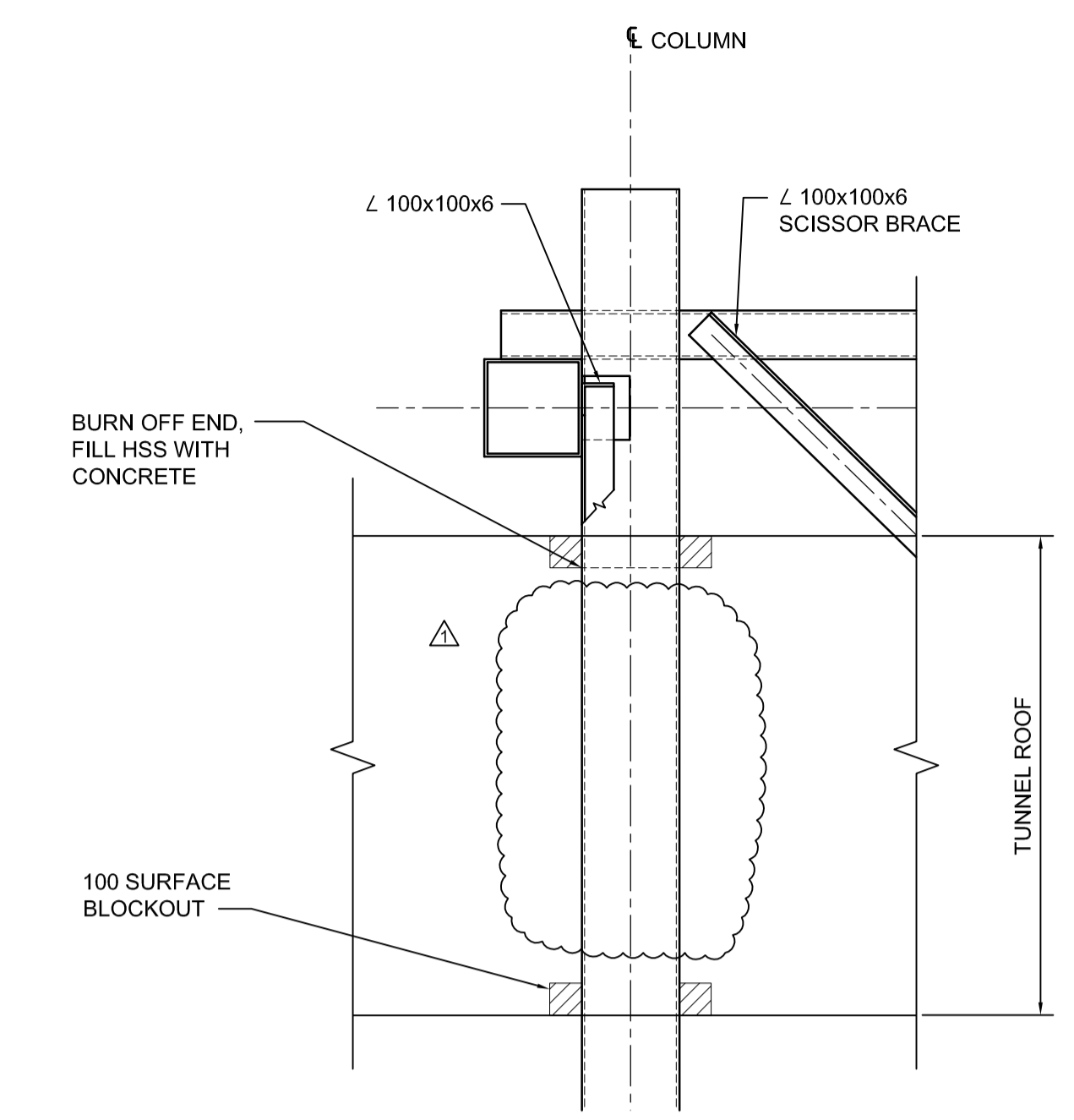
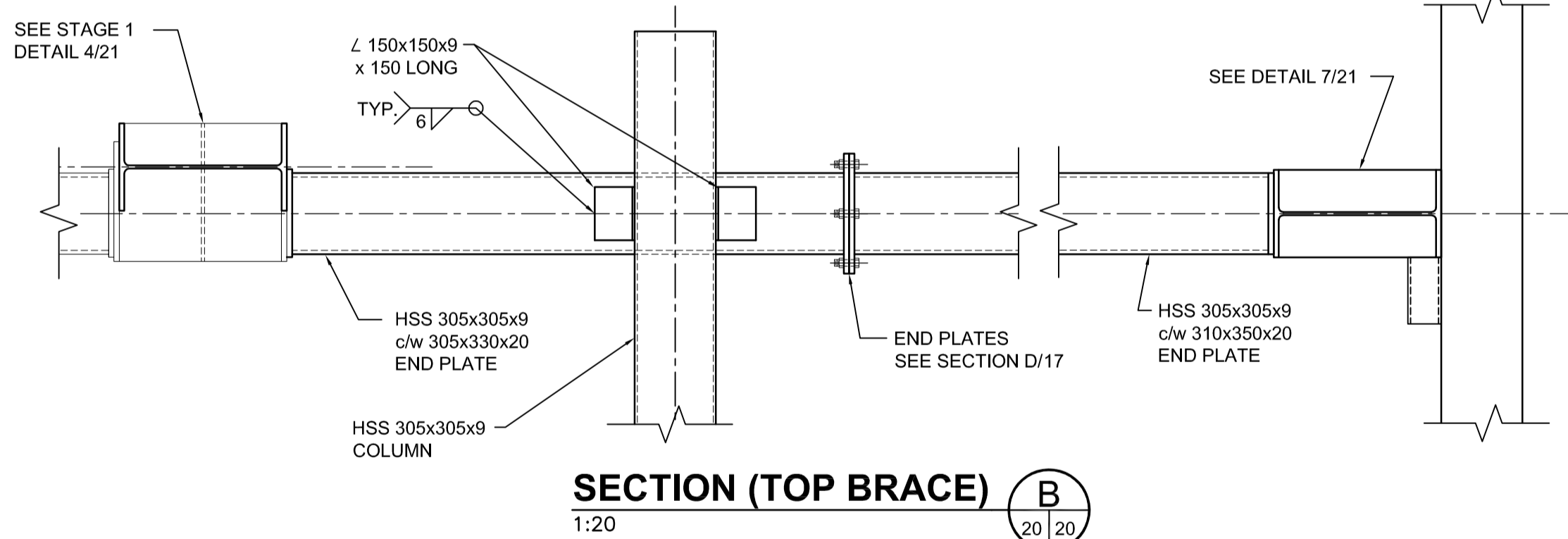


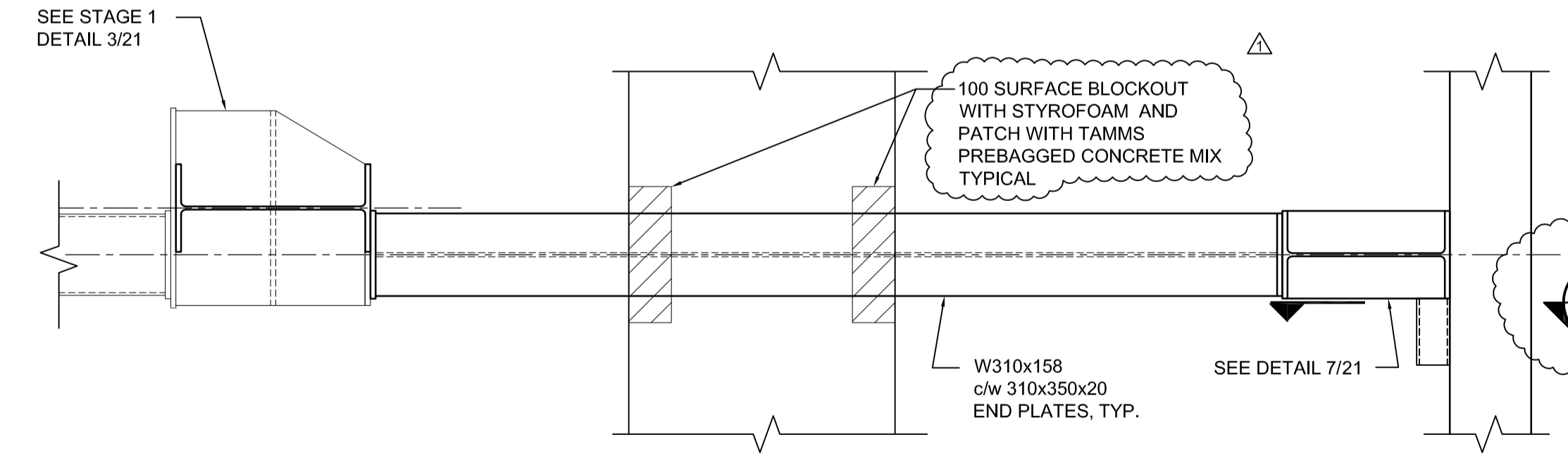
**STAGE 2D BRACED SHORING**  
SCALE 1:100



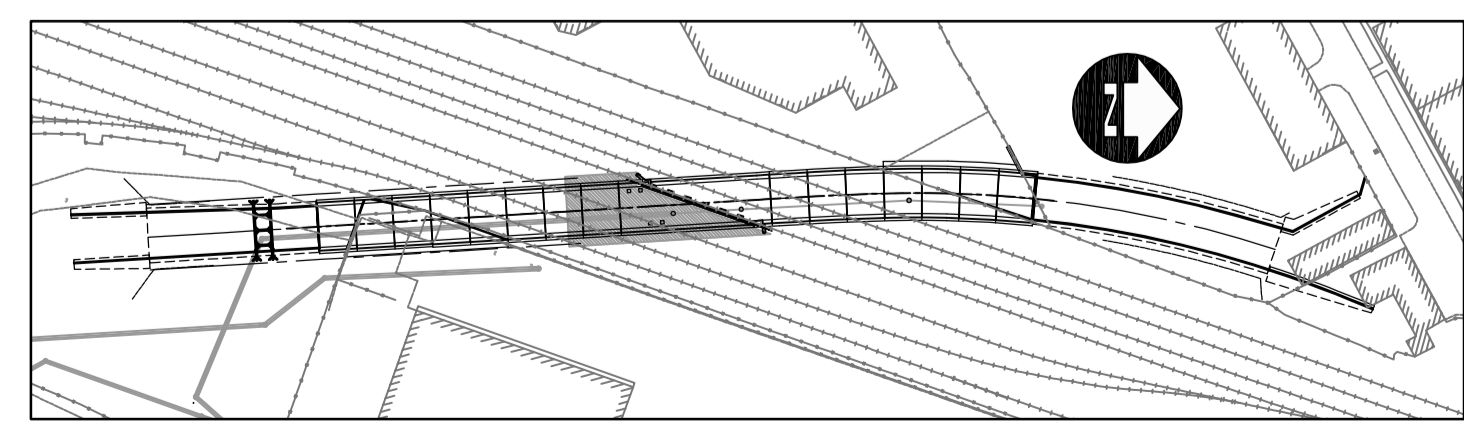
**SECTION A**  
1:100



**SECTION (TOP BRACE) B**  
1:20



**SECTION (MID. & BOT. BRACE) C**  
1:20



**INTERFACE BRACED SHORING KEY PLAN**  
SCALE 1:2000

**AECOM**  
Certificate of Authorization  
AECOM Canada Ltd.  
No. 4671 Date: 2009.10.13

DO NOT SCALE THIS DOCUMENT. ALL MEASUREMENTS MUST BE OBTAINED FROM STATED DIMENSIONS. This drawing has been prepared for the use of AECOM's client and may not be used, reproduced or relied upon by third parties, except as agreed by AECOM and its client, as required by law or for use by governmental reviewing agencies. AECOM accepts no responsibility, and denies any liability whatsoever, to any party that modifies this drawing without AECOM's express written consent.

LOCATION UNDERGROUND	APPROVED STRUCTURES	B.M. ELEV.	DESIGNED BY	FK
SUPV. U/G STRUCTURES COMMITTEE	DATE		DRAWN BY	CAA
			CHECKED BY	RE/KC
			APPROVED BY	EBL
			HOR. SCALE	AS NOTED
			VERTICAL	
			DATE	2009.10.13

NO.	REVISIONS	DATE	BY
1	ISSUED FOR ADDENDUM 4	11.04.2009	CAA
0	ISSUED FOR TENDER	10.13.2009	CAA

DATE	2009.10.13
RELEASED FOR CONSTRUCTION	DATE



ENGINEER'S SEAL  
PROVINCE OF MANITOBA  
ORIGINAL SIGNED BY  
F.A. KEMP  
2009/10/13  
REGISTERED PROFESSIONAL ENGINEER  
CONSULTANT PROJECT NO.  
088813

**THE CITY OF WINNIPEG**  
TRANSIT DEPARTMENT

Winnipeg

SOUTHWEST RAPID TRANSIT CORRIDOR - STAGE 1  
TRANSITWAY TUNNEL AT CN RIVER SUBDIVISION  
MILEAGE 1.38 & ASSOCIATED WORKS

STAGE 2 INTERFACE BRACED SHORING

CITY DRAWING NUMBER  
U237-09-20  
SHEET 20 OF 73  
CONSULTANT DRAWING NUMBER  
C4-S1008-T