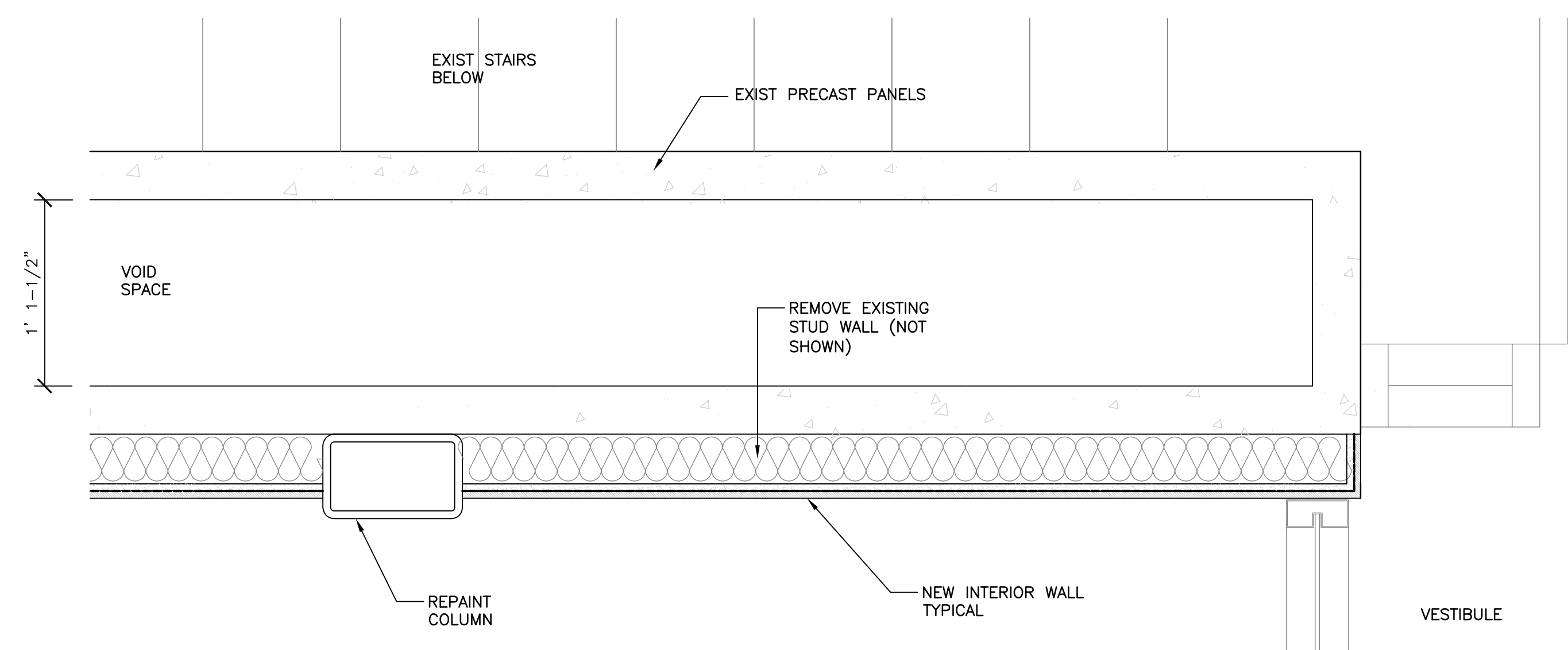
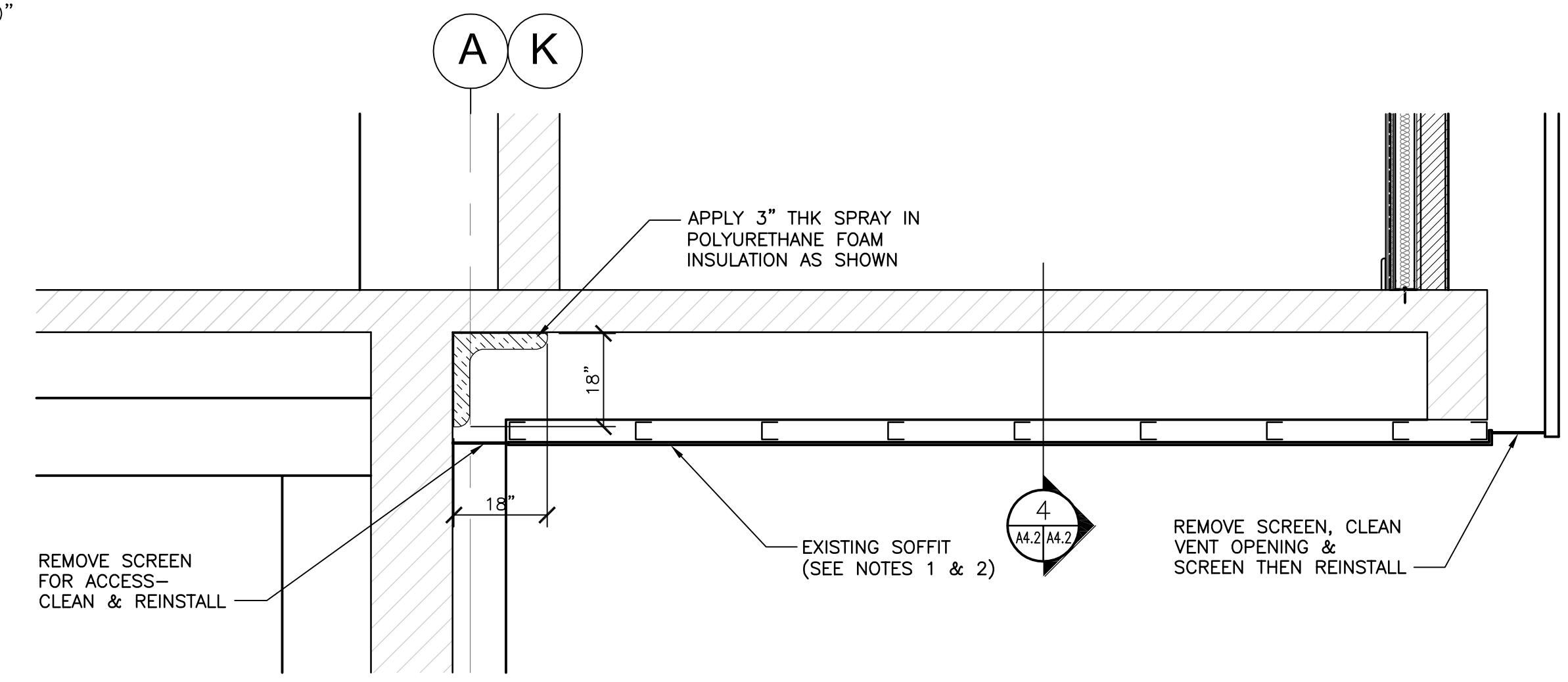


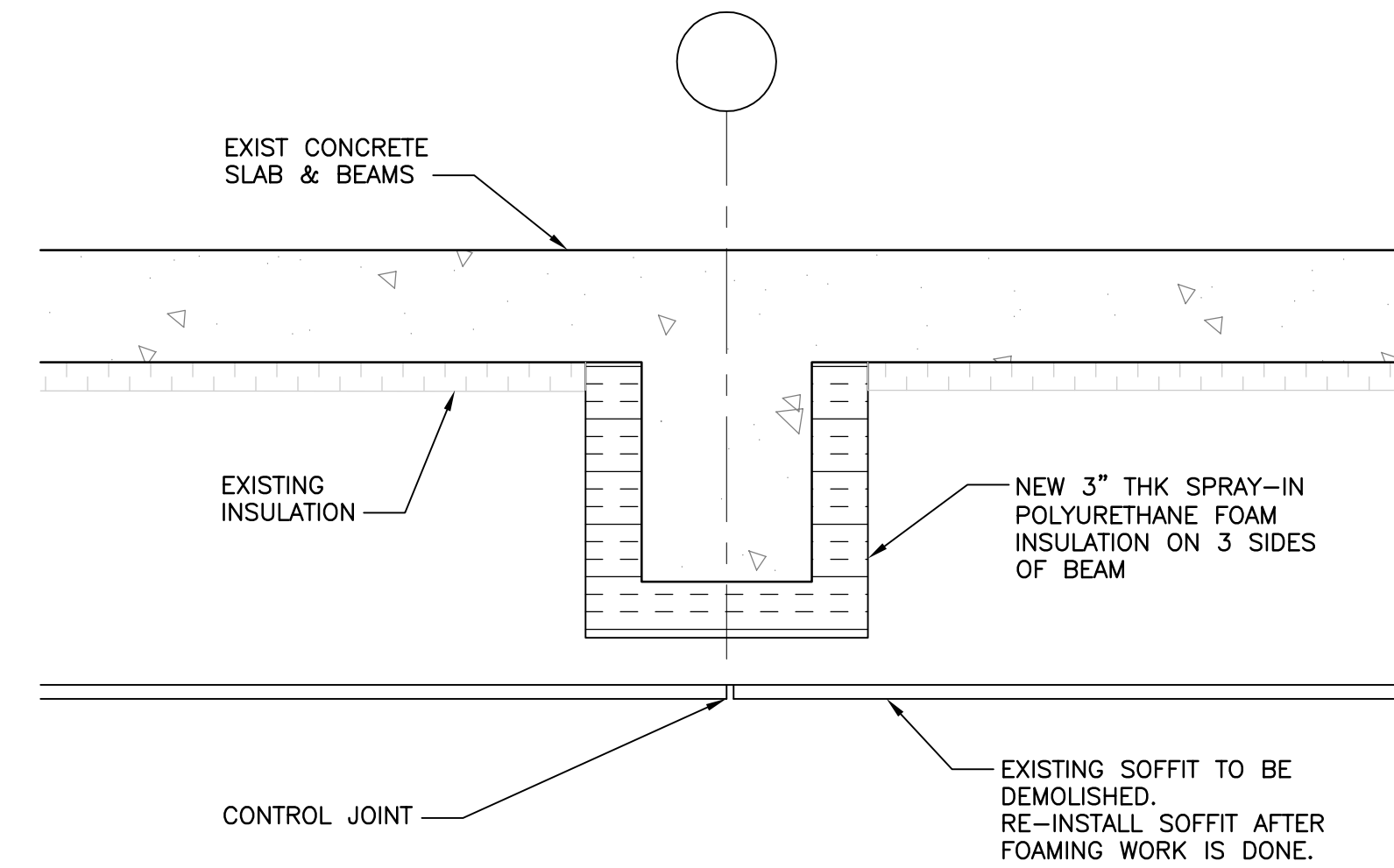
**1 NW VESTIBULE INSULATION DETAIL**  
 SCALE: 1 1/2"=1'-0"



**2 NE VESTIBULE WALL DETAIL**  
 SCALE: 1 1/2"=1'-0"



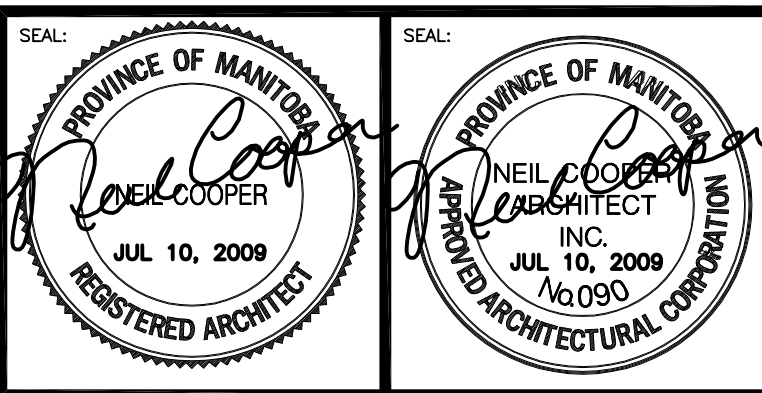
**3 NORTH & SOUTH CANOPY**  
 SCALE: 1/2"=1'-0"



**4 BEAM INSULATION DETAIL (TYP)**  
 SCALE: 1"=1'-0"

- NOTES:
1. SOUTH SOFFIT: CARE MUST BE TAKEN TO AVOID DAMAGE OR DISPLACEMENT TO EXISTING ELECTRICAL CONDUITS.
  2. NORTH SOFFIT: CARE MUST BE TAKEN TO AVOID DAMAGE OR DISPLACEMENT TO EXISTING GAS LINE.
  3. FOAM INSULATION TO BE DONE ON ALL MAIN BEAMS & AUXILIARY BEAMS.

REV	DESCRIPTION	DATE	BY
02	ISSUED FOR ADDENDUM NO. 7	09-08-28	AL
01	ISSUED FOR ADDENDUM NO. 4	09-08-11	AL
00	ISSEUD FOR TENDER	09-07-10	AL



THIS DRAWING MUST NOT BE SCALED.  
 THE GENERAL CONTRACTOR SHALL VERIFY ALL DIMENSIONS, DATUMS AND LEVELS PRIOR TO COMMENCEMENT OF WORK AND IS HELD RESPONSIBLE FOR REPORTING ANY DISCREPANCY OR OMISSION TO NEIL COOPER ARCHITECT INC IMMEDIATELY.  
 THIS DRAWING IS THE EXCLUSIVE PROPERTY OF NEIL COOPER ARCHITECT INC AND CAN BE REPRODUCED ONLY WITH THE PERMISSION OF NEIL COOPER ARCHITECT INC, IN WHICH CASE THE REPRODUCTION MUST BEAR THEIR NAME AS THE ARCHITECTURAL FIRM.

**NORTH WALL DETAILS**

PROJECT:  
**PAN AM POOL**  
**BLDG ENVELOPE RETROFIT**  
**PHASE 1**  
 25 Poseidon Bay, Winnipeg, Manitoba

**Neil Cooper Architect Inc.**  
 10-395 Berry Street, Winnipeg, Manitoba R3J 1N6

**Tuplin Group Inc.**  
 Unit L 301 Weston Street, Winnipeg, Manitoba R3E 3H4

DRAWN BY: AG/AL	CHECKED BY: NC	SHEET NO: <b>A4.2R-2</b>	REV NO:
DATE: JUNE 22, 2009		SCALE: As Noted	
FILE: 08062\PAN AM POOL\ CONT DOC.\ CONT. DWGS.\PHASE 1\A4.1			